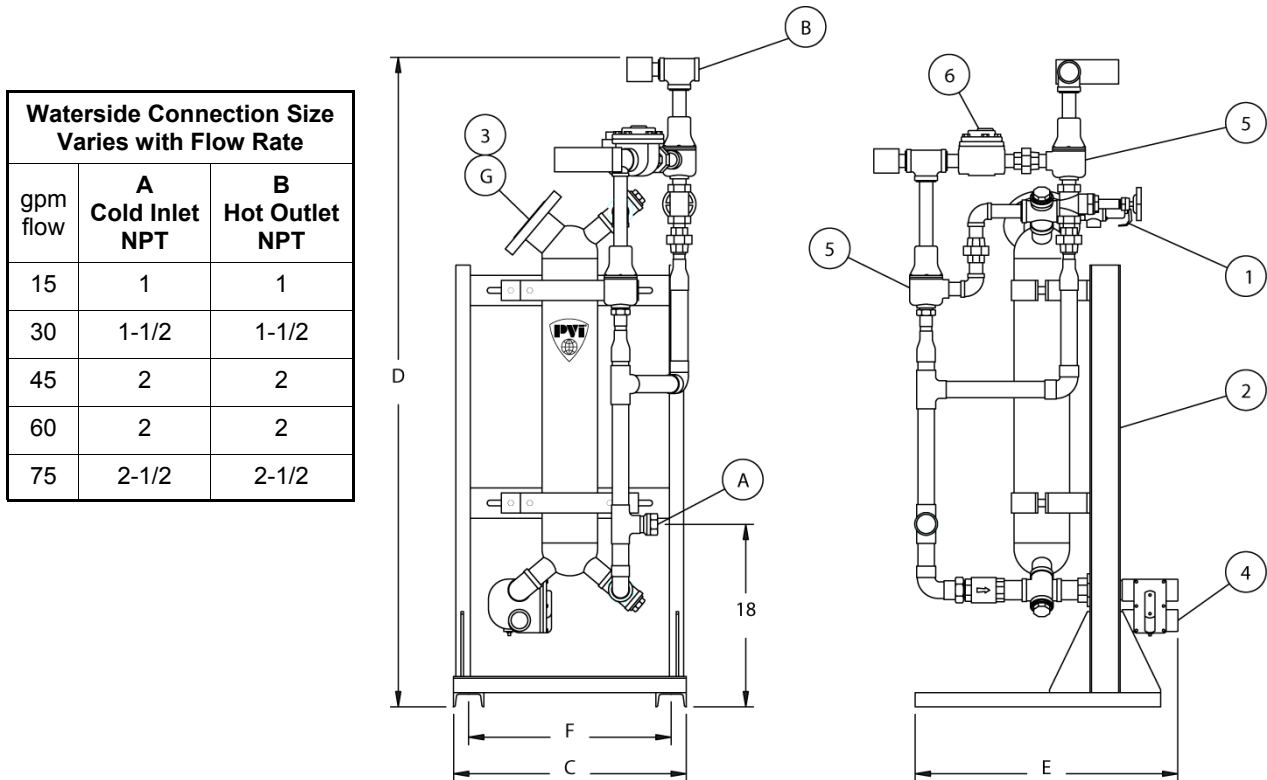


CSX Instantaneous Blend-Down Steam-to-Water Heater

Product Configuration	Dimensions (inches)					Approx. Shipping Weight (lbs)
	C Overall Width	D Overall Height	E Overall Depth	F Skid Spacing	G Heat Exchanger Steam Connection ANSI 150#	
A1	24	70	34	20	3	500
B2	24	70	34	20	3	650
C3	33	75	43	28	4	950
D4	33	77	43	28	4	1350

1. ASME-rated pressure relief valve
2. Steel stand and channel skids
3. Steam inlet (valve optional with supply steam at or below 15 psi)
4. Condensate trap
5. Outlet water temperature blending valves
6. High-limit shutoff valve

Electrical requirements: 120V, 60 Hz., 15 amps service to a single-point connection
For standard and optional equipment list, refer to form PV 6653.



PVI Industries, LLC ▪ Fort Worth, TX ▪ (800) 784-8326 ▪ (817) 335-9531 ▪ www.pvi.com