

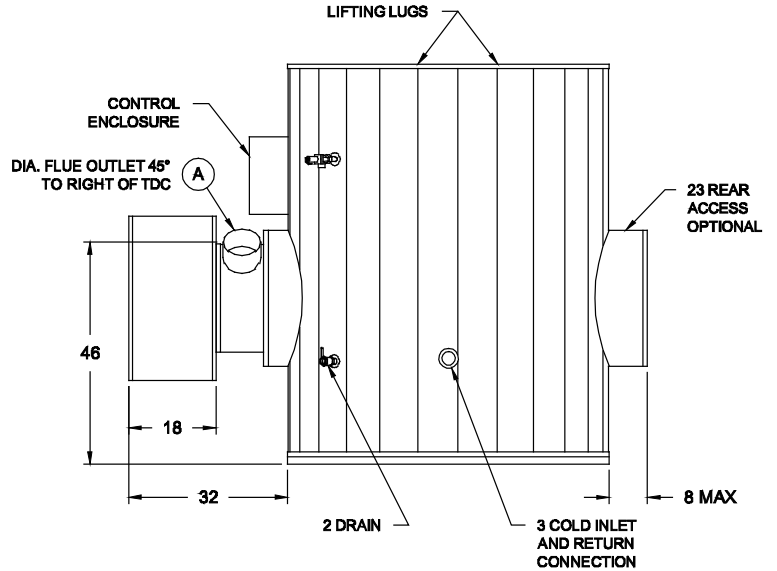
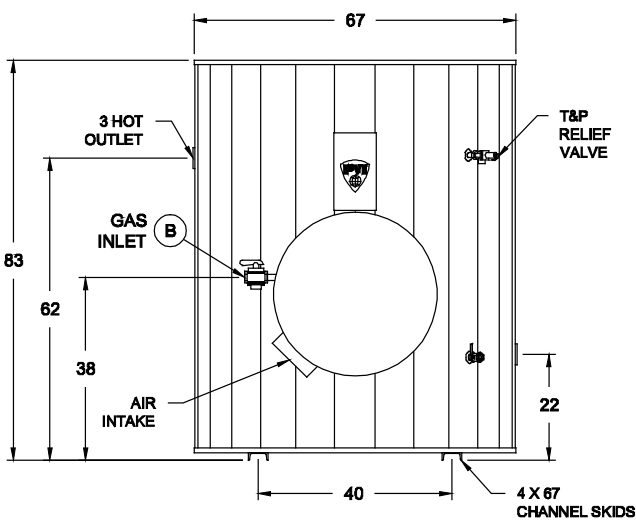
LOW NO<sub>x</sub> TURBOPOWER® • PACKAGED WATER HEATER  
**POLYSHIELD® POLYMER-LINED STORAGE TANK**  
**TANK SERIES 750 GALLONS VERTICAL**

MODEL NUMBER	Recovery gph ①		INPUT Btu/h	Min. Inlet Flow Gas Pressure " W.C. ②	SCAQMD Energy Model No.		Dimensions (inches)		Blower Motor		Shipping Weight #
	40° - 120°F	40° - 140°F			A	B	HP	Amps			
1000 P 750A-TPL	1000	800	800,000	4.5	8TPL	800 MBtu/h	8	1	1/2	7	2860
1500 P 750A-TPL	1500	1200	1,200,000	4.5	12TPL	1200 MBtu/h	8	1-1/4	1	14	2900

① Recoveries based on 83% thermal efficiency. ASHRAE 90.1 compliant for efficiency and standby loss.

② With standard gas train

\* The information presented is for natural gas 0.6 S.G.  
 Dimensions are in inches unless otherwise specified.  
 For standard and optional equipment, see form #PV 6453.



**STANDARD GAS PRESSURE REQUIREMENTS:**

SEE TABLE FOR MINIMUM PRESSURE BY MODEL.  
 MAXIMUM STATIC INLET GAS PRESSURE IS 10.5" W.C.  
 FOR GAS PRESSURES OUTSIDE OF THIS RANGE,  
 CONTACT YOUR PVI REPRESENTATIVE.

**VENTING REQUIREMENTS:**

-.02" TO -.06" W.C. (NEGATIVE PRESSURE).  
 TYPE B VENTING.

**ENTIRE VENT SYSTEM SHOULD NEVER BE SIZED BASED UPON  
 THE VENT CONNECTION DIAMETER EXCLUSIVELY. CHECK  
 NATIONAL FUEL GAS CODE UNDER "FAN ASSISTED."**

**STANDARD ELECTRICAL REQUIREMENTS:**

**VOLTAGE:** 120V, 1Ø, 60 HZ., 20 AMPS.  
 OTHER VOLTAGES REQUIRE AN EXTERNAL  
 STEPDOWN TRANSFORMER.

**PVI RESERVES THE RIGHT TO CHANGE THE DESIGN AND  
 SPECIFICATION WITHOUT NOTICE.**



PVI INDUSTRIES, LLC  
 FORT WORTH, TEXAS 76111  
 (800) 784-8326 • www.pvi.com

Product is patented in the U.S., Canada, and Mexico.

