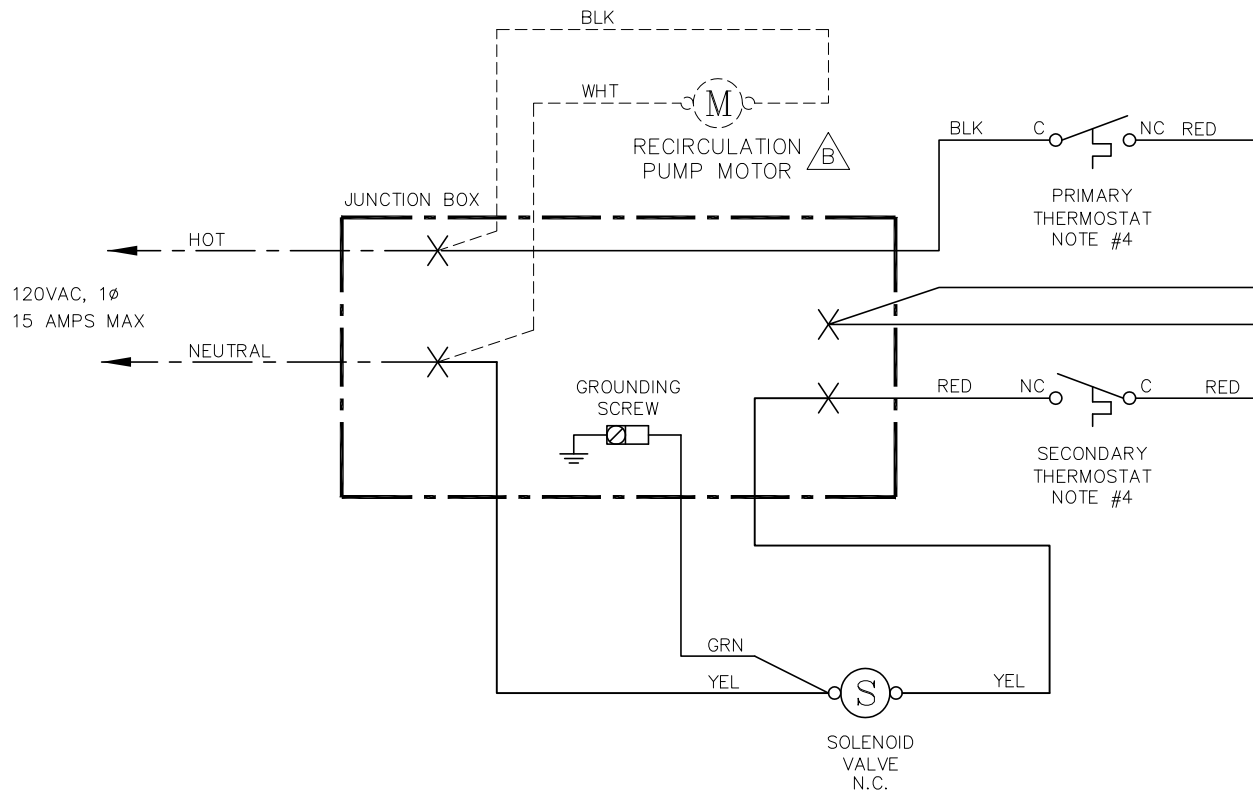


FIELD WIRING - - - - -
 FACTORY - - - - -
 AS REQUIRED - - - - -



NOTES:

1. ALL WIRING MUST BE IN ACCORDANCE WITH THE REQUIREMENTS OF THE LOCAL CODES AND THE NATIONAL ELECTRICAL CODE, NFPA NO. 70, LATEST EDITION.
2. CONNECT TO 15 AMPERE MAXIMUM BRANCH CIRCUIT.
3. ALL WIRING IS 16 AWG CSA EXCEPT AS NOTED.
4. SET PRIMARY THERMOSTAT 20°F ABOVE SETPOINT OF PRIMARY TEMPERATURE CONTROL VALVE, AND SET SECONDARY THERMOSTAT 10°F ABOVE SETPOINT OF SECONDARY TEMPERATURE CONTROL VALVE.



INDUSTRIES, LLC
 FORT WORTH, TEXAS

THIS DRAWING, ITS PRINTS, AND ALL PARTS THEREOF ARE AND SHALL REMAIN THE PROPERTY OF PVI INDUSTRIES, LLC AND MAY NOT BE REPRODUCED OR USED FOR ANY PURPOSE WITHOUT WRITTEN CONSENT.

| REVISIONS | | | | UNLESS OTHERWISE SPECIFIED, DIMENSIONS ARE INCHES (mm) TOLERANCES ARE FRACTIONAL ± 1/16 DECIMAL ± .010 ANGULAR ± 2° FINISH 125 | MATERIAL SEE ABOVE | | | NOMENCLATURE WIRING DIAGRAM CSX CONTROLS | | |
|-----------|--------|----------|-----|--|------------------------------|-------|-----|--|----------|----------|
| B | 7676-1 | 10/22/09 | CLE | | ADD RECIRCULATION PUMP MOTOR | DRAWN | CLE | 10/22/2009 | SIZE | MODEL |
| A | 6717-2 | 12/3/01 | JK | ADD SEPARATE ENCLOSURE | CHECKED | | | A | CSX | A09409B1 |
| ~ | 6717-1 | 10/25/01 | JK | ORIGINAL RELEASE | APPROVED | | | SCALE | PART NO. | SHEET |
| NO | ECO | DATE | BY | DESCRIPTION | A.I. | | | NTS | | 1 OF 1 |