

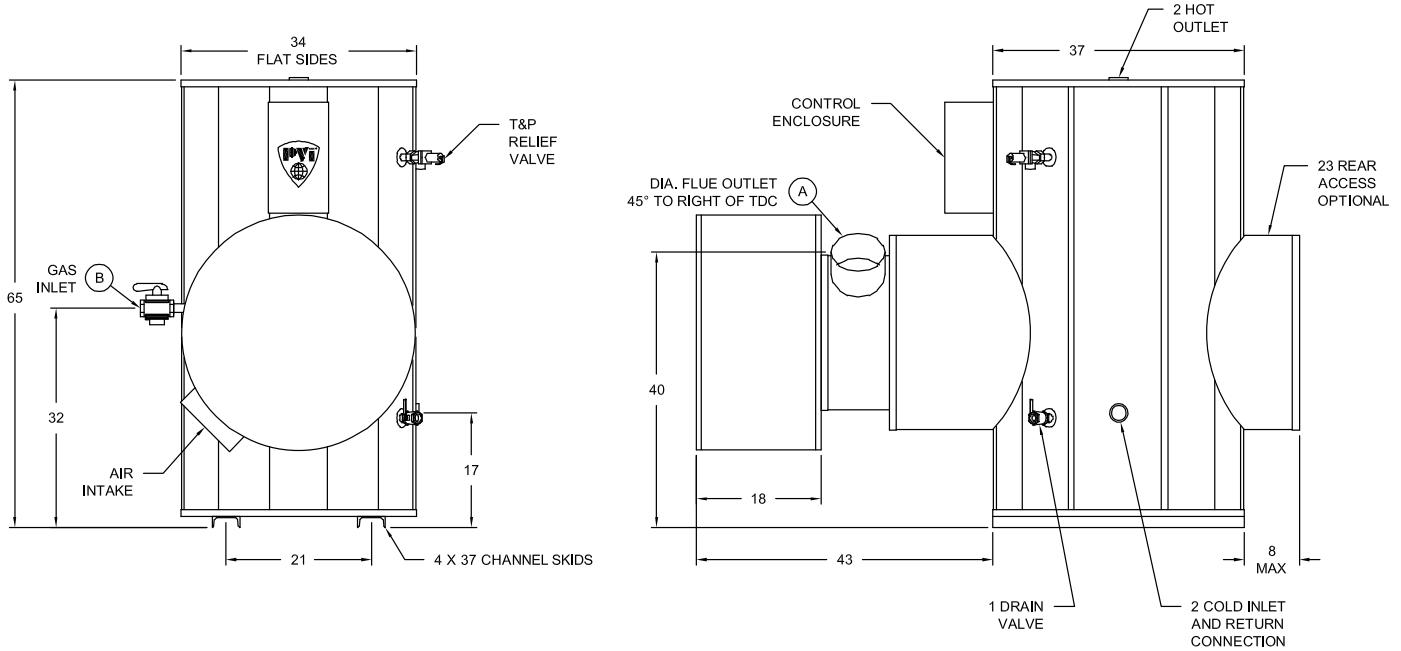
**LOW NO<sub>x</sub> TURBOPOWER® • PACKAGED WATER HEATER  
POLYSHIELD® POLYMER-LINED STORAGE TANK  
TANK SERIES 150 GALLONS VERTICAL**

| MODEL NUMBER    | Recovery gph ① |             | INPUT Btu/h | Min. Inlet Flow Gas Pressure " W.C. ② | SCAQMD Energy Model No. |            | Dimensions (inches) |   | Blower Motor |      | Shipping Weight # |
|-----------------|----------------|-------------|-------------|---------------------------------------|-------------------------|------------|---------------------|---|--------------|------|-------------------|
|                 | 40° - 120°F    | 40° - 140°F |             |                                       |                         |            | A                   | B | HP           | Amps |                   |
| 1000 P 150A-TPL | 1000           | 800         | 800,000     | 4.5                                   | 8TPL                    | 800 MBtu/h | 8                   | 1 | 1/2          | 7    | 1425              |

① Recoveries based on 83% thermal efficiency. ASHRAE 90.1 compliant for efficiency and standby loss.

② With standard gas train

\* The information presented is for natural gas 0.6 S.G.  
Dimensions are in inches unless otherwise specified.  
For standard and optional equipment, see form #PV 6453.



**STANDARD GAS PRESSURE REQUIREMENTS:**  
SEE TABLE FOR MINIMUM PRESSURE BY MODEL.  
MAXIMUM STATIC INLET GAS PRESSURE IS 10.5" W.C.  
FOR GAS PRESSURES OUTSIDE OF THIS RANGE,  
CONTACT YOUR PVI REPRESENTATIVE.

**VENTING REQUIREMENTS:**  
-.02" TO -.06" W.C. (NEGATIVE PRESSURE).  
TYPE B VENTING.  
**ENTIRE VENT SYSTEM SHOULD NEVER BE SIZED BASED UPON  
THE VENT CONNECTION DIAMETER EXCLUSIVELY. CHECK  
NATIONAL FUEL GAS CODE UNDER "FAN ASSISTED."**

**STANDARD ELECTRICAL REQUIREMENTS:**  
**VOLTAGE:** 120V, 1Ø, 60 HZ., 20 AMPS.  
OTHER VOLTAGES REQUIRE AN EXTERNAL  
STEPDOWN TRANSFORMER.

**PVI RESERVES THE RIGHT TO CHANGE THE DESIGN AND  
SPECIFICATION WITHOUT NOTICE.**



PVI INDUSTRIES, LLC  
FORT WORTH, TEXAS 76111  
(800) 784-8326 • www.pvi.com

Product is patented in the U.S., Canada, and Mexico.

PV 6979 06-10

