

TRICON® Condensing Water Heater
AQUAPLEX® STORAGE TANK (UNLINED DUPLEX ALLOY)
TANK SERIES 300 Gallon ■ 1000 to 2000 MBH

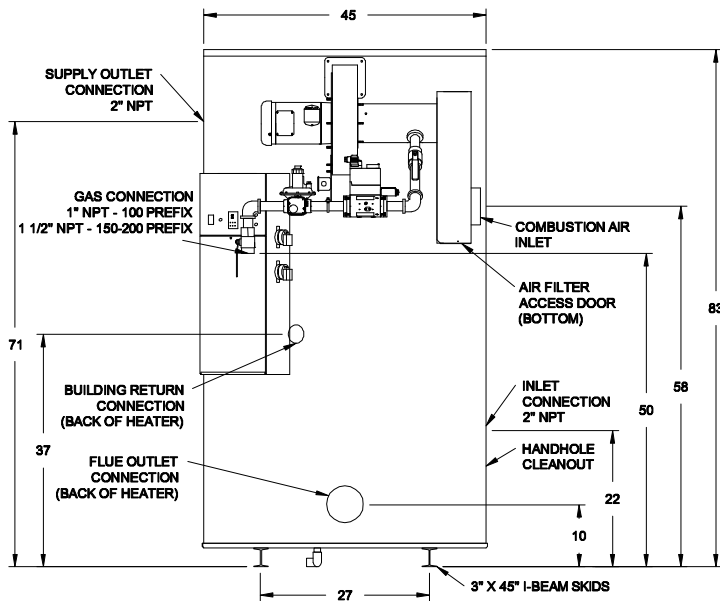
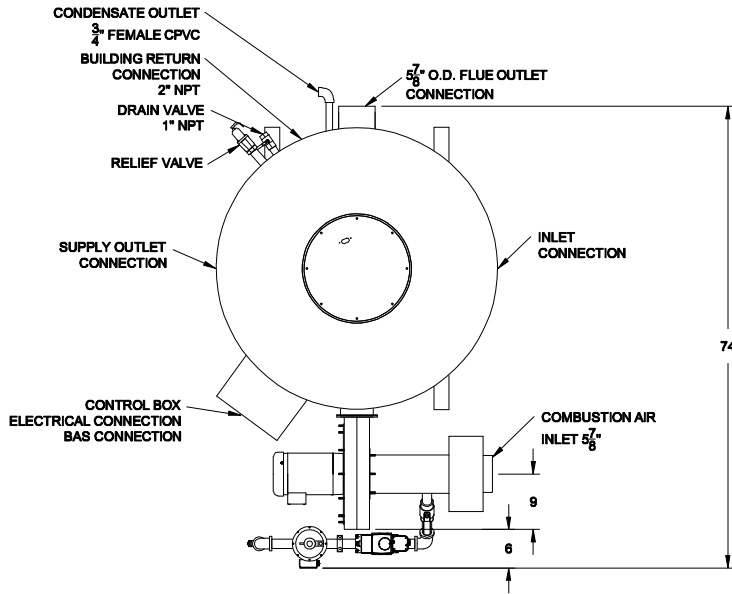
MODEL	BTU INPUT	GPH RECOVERY - Thermal Efficiency		SHIPPING WEIGHT (LBS.)	OPERATING WEIGHT (LBS.)
		70° to 140°F ①	40° to 140°F ②		
100 SL 300A-PVIF	999,000	1490 (87%)	1067 (89%)	2000	3585
150 L 300A-PVIF	1,500,000	2238 (87%)	1603 (89%)	2000	3585
180 L 300A-PVIF	1,800,000	2685 (87%)	1923 (89%)	2000	3585
200 L 300A-PVIF	2,000,000	2984 (87%)	2137 (89%)	2000	3585

① Recovers and thermal efficiency derived from DOE 10 CFR 431 testing requirements (ANSI Z21.10.3 @ 70°F to 140°F)

② Recovers and thermal efficiency based upon 40°F entering water temperature at full fire

Dimensions are in inches unless otherwise specified.

For standard and optional equipment, see form PV 8008.



Standard Electrical

120V, 1Ø, 60 Hz., 15 amp circuit

Venting

Use an ETL, UL, ULC or CSA listed single or double wall 6" stainless steel Category IV vent, minimum distance 5 ft., maximum distance 100 eq. ft. Longer vents, ETL listed w/larger diameters, see I&M.

Inlet Combustion Air

Up to 100 eq. ft. using 6" PVC or galvanized vent pipe. Longer lengths, ETL listed with larger diameters, see I&M.

Gas Pressure - Natural

Minimum inlet flow pressure: 4.5" W.C.
 Maximum static pressure: 14" W.C.
 For < 4.5"W.C., consult factory.
 For LP option, consult factory.

Minimum Service Clearances

18" from sides,
 24" from front and top

Emissions

< 20 ppm NOx

