



TURBOPOWER® 99 - GAS-FIRED CONDENSING WATER HEATER AQUAPLEX® STORAGE TANK (UNLINED DUPLEX ALLOY)

TANK SERIES 425 GALLONS

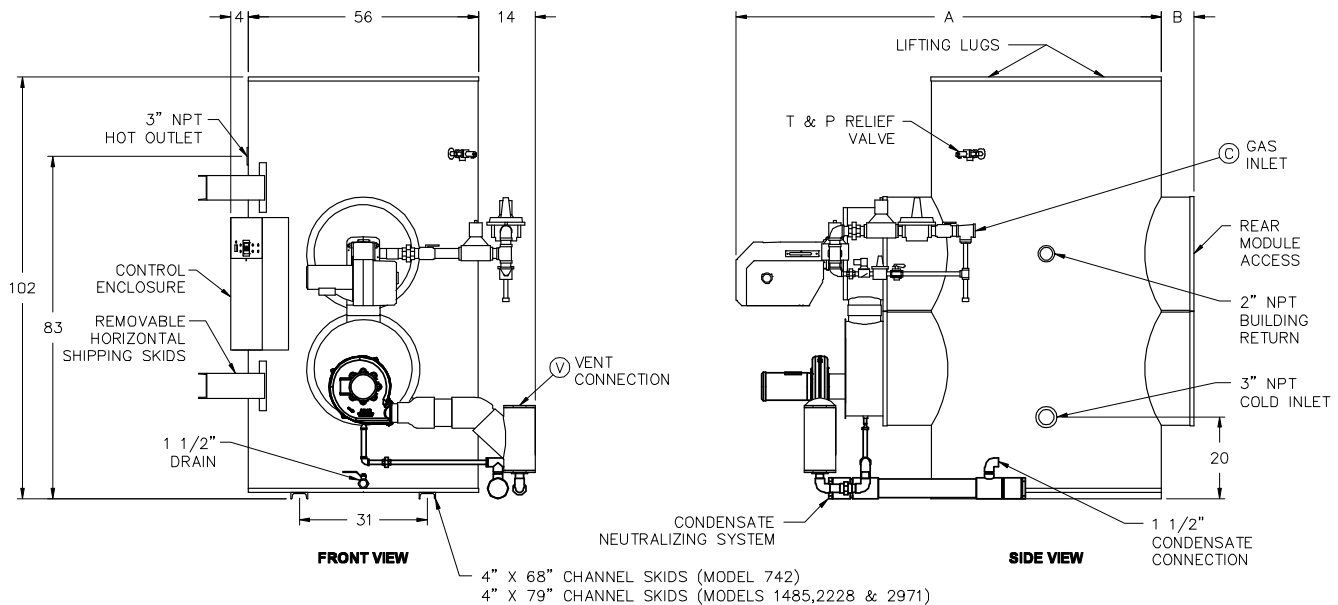
Model Number	Recovery gph (E _T)		Input Btu/h	Min. Inlet Flow Gas Pressure "W.C. ③	Dimensions (inches)			B Rear Access	Total Amps 120V, 1Ø	Shipping Weight lbs	
	70°- 140°F ①	40°- 140°F ②			A	C (gas)	V (vent)				
742 L 425A-TP	840 (98%)	594 (99%)	500,000	5.0	85	1	4	optional	8	16	2820
1485 L 425A-TP	1679 (98%)	1187 (99%)	999,000	5.5	92	1-1/4	4	optional	8	16	2995
2228 L 425A-TP	2495 (97%)	1783 (99%)	1,500,000	6.0	111	2	5	standard	16	34	3665
2971 L 425A-TP	3244 (97%)	2317 (99%)	1,950,000	11.0	111	2-1/2	5	standard	16	34	4165

- ① Recoveries and thermal efficiency derived from DOE 10 CFR 431 testing requirements (ANSI Z21.10.3 @ 70°F to 140°F)
- ② Recoveries and efficiency based upon 40°F entering water temperature
- ③ Standard gas train. The information presented is for natural gas 0.6 S.G.
Dimensions are in inches unless otherwise specified.
For standard and optional equipment, see form PV 8041.



Performance with direct inlet combustion air option

Model Number	Recovery gph (E _T) 70°- 140°F ①	Recovery gph (E _T) 40°- 140°F ②	Input Btu/h
742 L 425A-TP	798 (98%)	564 (99%)	475,000
1485 L 425A-TP	1597 (98%)	1129 (99%)	950,000
2228 L 425A-TP	2495 (97%)	1783 (99%)	1,500,000
2971 L 425A-TP	3077 (97%)	2199 (99%)	1,850,000



GAS PRESSURE REQUIREMENTS
 SEE TABLE FOR MINIMUM PRESSURE BY MODEL NUMBER.
 MAXIMUM STATIC INLET PRESSURE: 14" W.C.

ELECTRICAL REQUIREMENTS
 VOLTAGE: 120V, 1Ø, 60 HZ.
 PRODUCT IS CONFIGURED FOR SINGLE POINT CONNECTION
 CONTROL CIRCUIT IS 2 AMPS.
 STANDARD MOTOR VOLTAGE IS 115V/230V, 1Ø, WIRED FOR 115V.
 TOTAL AMPERAGE IN ABOVE CHART.

VENTING REQUIREMENTS
 CATEGORY IV - POSITIVE PRESSURE AND CONDENSING
 INTERTEK/ETL LISTED FOR PVC VENT. SCH. 40, SOLID-WALL.
 ETL, UL, or ULC listed category IV stainless vent is also acceptable.

EXHAUST RATED FOR 100 EQUIVALENT FEET
 AT DIAMETER INDICATED IN TABLE.

DIRECT INLET AIR UP TO 100 EQUIVALENT FEET THROUGH
 6-INCH DIAMETER DUCT (500 and 999 MBH)
 8-INCH DIAMETER DUCT (1500 and 1950 MBH)
 Vent cap to terminate the direct air duct must be supplied by PVI.

FOR LONGER DISTANCES, CONSULT FACTORY.

PVI RESERVES THE RIGHT TO CHANGE THE DESIGN
 AND SPECIFICATION WITHOUT NOTICE.