



TURBOPOWER® 99 - GAS-FIRED CONDENSING WATER HEATER
AquaPLEX® STORAGE TANK (UNLINED DUPLEX ALLOY)

TANK SERIES 1200 GALLONS

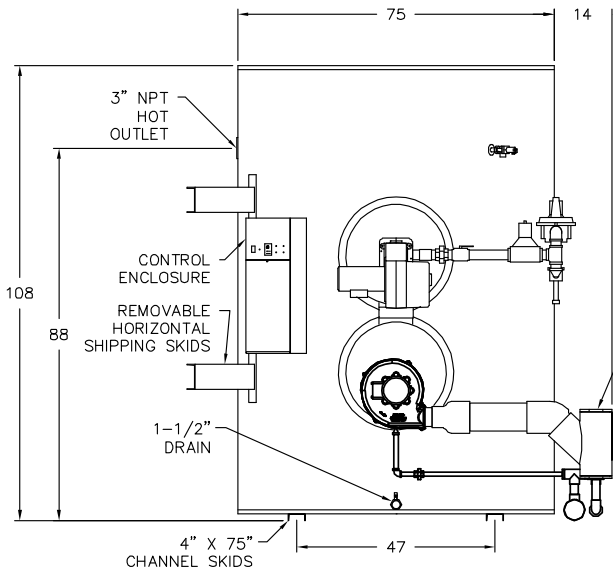
Model Number	Recovery gph (E _T)		Input Btu/h	Min. Inlet Flow Gas Pressure "W.C. ③	Dimensions (inches)			B Rear Access		Total Amps 120V, 1Ø	Shipping Weight lbs
	70°- 140°F ①	40°- 140°F ②			A	C (gas)	V (vent)				
742 L 1200A-TP	840 (98%)	594 (99%)	500,000	5.0	109	1	4	optional	8	16	4425
1485 L 1200A-TP	1679 (98%)	1187 (99%)	999,000	5.5	109	1-1/4	4	optional	8	16	4575
2228 L 1200A-TP	2495 (97%)	1783 (99%)	1,500,000	6.0	115	2	5	standard	8	34	5260
2971 L 1200A-TP	3244 (97%)	2317 (99%)	1,950,000	11.0	115	2-1/2	5	standard	8	34	5960

- ① Recoveries and thermal efficiency derived from DOE 10 CFR 431 testing requirements (ANSI Z21.10.3 @ 70°F to 140°F)
 - ② Recoveries and efficiency based upon 40°F entering water temperature
 - ③ Standard gas train. The information presented is for natural gas 0.6 S.G.
- Dimensions are in inches unless otherwise specified.
 For standard and optional equipment, see form PV 8041.

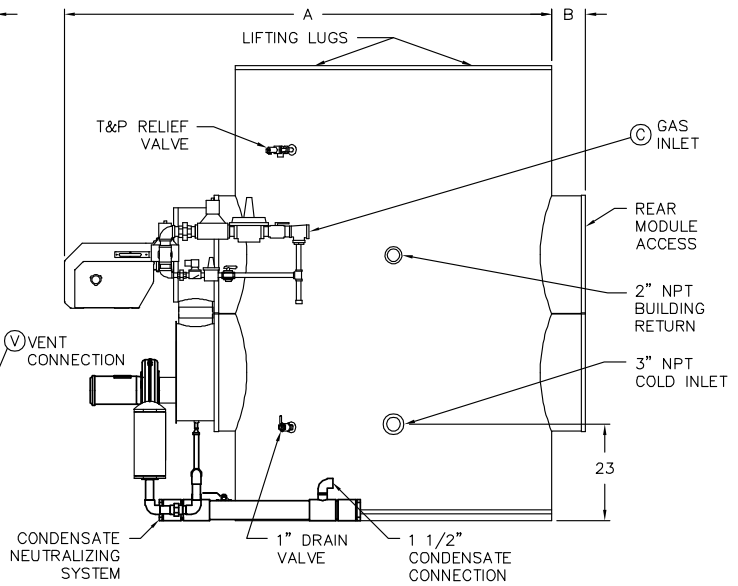


Performance with direct inlet combustion air option

Model Number	Recovery gph (E _T) 70°- 140°F ①	Recovery gph (E _T) 40°- 140°F ②	Input Btu/h
742 L 1200A-TP	798 (98%)	564 (99%)	475,000
1485 L 1200A-TP	1597 (98%)	1129 (99%)	950,000
2228 L 1200A-TP	2495 (97%)	1783 (99%)	1,500,000
2971 L 1200A-TP	3077 (97%)	2199 (99%)	1,850,000



FRONT VIEW



SIDE VIEW

GAS PRESSURE REQUIREMENTS

SEE TABLE FOR MINIMUM PRESSURE BY MODEL NUMBER.
 MAXIMUM STATIC INLET PRESSURE: 14" W.C.

ELECTRICAL REQUIREMENTS

VOLTAGE: 120V, 1Ø, 60 HZ. TOTAL AMPERAGE IN CHART ABOVE.
 PRODUCT IS CONFIGURED FOR SINGLE POINT CONNECTION.

VENTING REQUIREMENTS

CATEGORY IV - POSITIVE PRESSURE AND CONDENSING INTERTEK/ETL LISTED FOR PVC VENT. SCH. 40, SOLID-WALL. ETL, UL, or ULC listed category IV stainless vent is also acceptable.

EXHAUST RATED FOR 100 EQUIVALENT FEET AT DIAMETER INDICATED IN TABLE.

DIRECT INLET AIR UP TO 100 EQUIVALENT FEET THROUGH 6-INCH DIAMETER DUCT (500 and 999 MBH) 8-INCH DIAMETER DUCT (1500 and 1950 MBH) Vent cap to terminate the direct air duct must be supplied by PVI.

FOR LONGER DISTANCES, CONSULT FACTORY.

PVI RESERVES THE RIGHT TO CHANGE THE DESIGN AND SPECIFICATION WITHOUT NOTICE.