



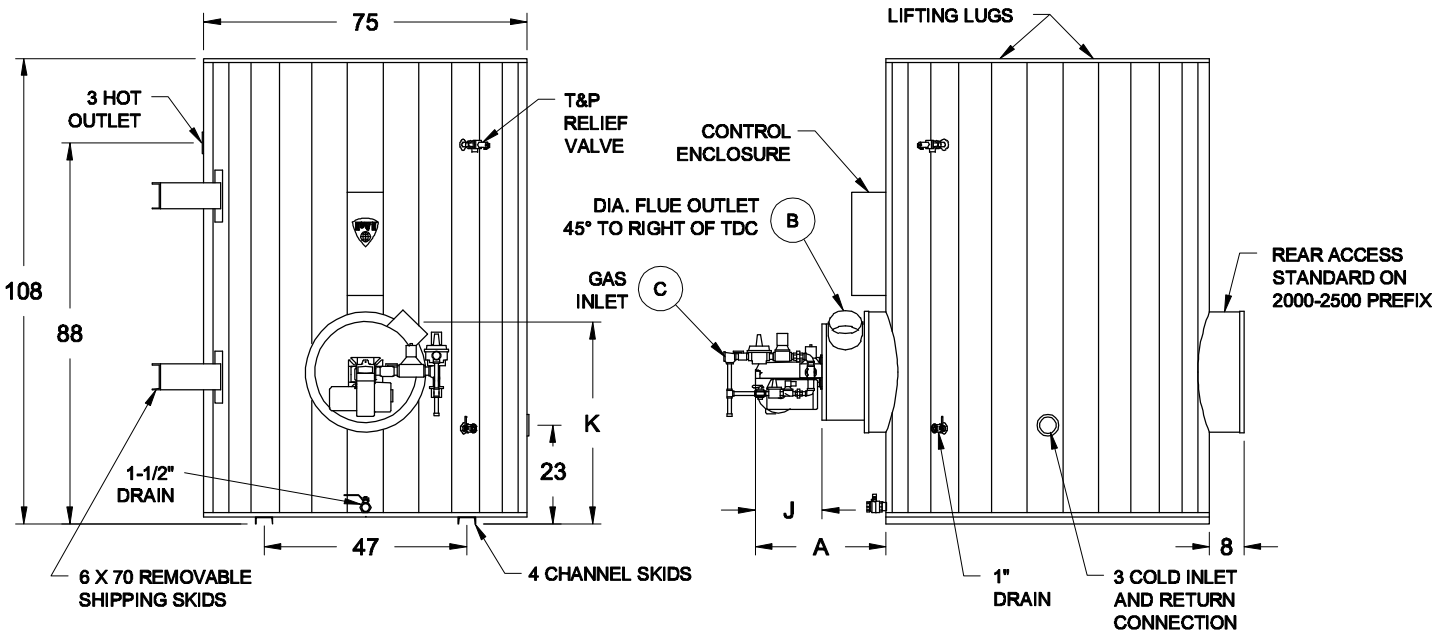
TURBOPOWER® GAS • PACKAGED WATER HEATER

AquaPLEX® STORAGE TANK (UNLINED DUPLEX ALLOY)

TANK SERIES 1500 GALLONS

Model Number ③	Recovery gph ①		Input Btu/h	* Min. Inlet Flow Gas Pressure "W.C.	Dimensions (inches)					Blower Motor		Shipping Weight lbs
	40°- 120°F	40°- 140°F			A	B	C	J ∅	K	HP	Volt/Ph/ Amps	
500 L 1500A-TP	500	400	399,000	4.5	21	5	3/4	10-1/4	45	1/6	115/1∅/3	3685
750 L 1500A-TP	750	600	600,000	6.0	30	6	1	16	45	1/3	115/1∅/8	3765
1000 L 1500A-TP	1000	800	800,000	6.0	30	8	1-1/4	16	45	1/3	115/1∅/8	3805
1250 L 1500A-TP	1250	1000	1,000,000	6.0	30	8	2	16	45	1/2	115/1∅/10	4075
1500 L 1500A-TP	1500	1200	1,200,000	6.5	30	8	2	16	45	1/2	115/1∅/10	4085
2000 L 1500A-TP	2000	1600	1,600,000	9.0	45	10	2	27	45	1-1/2	115/1∅/20	4520
2500 L 1500A-TP	2500	2000	2,010,000	10.5	45	10	2-1/2	27	45	1-1/2	115/1∅/20	4540

- ① Recoveries based on 83% thermal efficiency. ASHRAE 90.1 compliant for efficiency and standby loss.
- ② "J" dimension is for the burner housing only. Gas train may exceed this dimension.
- ③ Models with "TPL" suffix are less than 55 ppm NOx. SCAQMD models 2TPL (200MBH), 3TPL (300MBH) and 4TPL (400MBH).
- * The information presented is for Natural gas 0.6 S.G.— For operation with propane (LP gas), consult factory. Dimensions are in inches unless otherwise specified. For standard and optional equipment, see form PV 8050.



* GAS PRESSURE REQUIREMENTS
SEE TABLE ABOVE FOR MINIMUM PRESSURE BY MODEL NUMBER. MAXIMUM STATIC INLET PRESSURE: 10.5" W.C. for 199,000 - 399,000 AND 14" W.C. for > 399,000.
VENTING REQUIREMENTS
-0.02" TO -0.06" W.C. (NEGATIVE PRESSURE) CATEGORY I, TYPE B VENTING <i>ENTIRE VENT SYSTEM SHOULD NEVER BE SIZED BASED UPON THE VENT CONNECTION DIAMETER EXCLUSIVELY. FOR PROPER SIZING, CONSULT THE NATIONAL FUEL GAS CODE UNDER "FAN-ASSISTED."</i>

STANDARD ELECTRICAL REQUIREMENTS
CONTROL VOLTAGE: 120V, 1∅, 60 HZ., 2 AMPS. MOTOR VOLTAGE: 208V, 230V, AND 460V MOTORS ARE AVAILABLE BUT WILL REQUIRE A SEPARATE 120V/2 amps CONTROL CIRCUIT OR AN OPTIONAL CONTROL CIRCUIT TRANSFORMER.

PVI RESERVES THE RIGHT TO CHANGE THE DESIGN AND SPECIFICATION WITHOUT NOTICE.