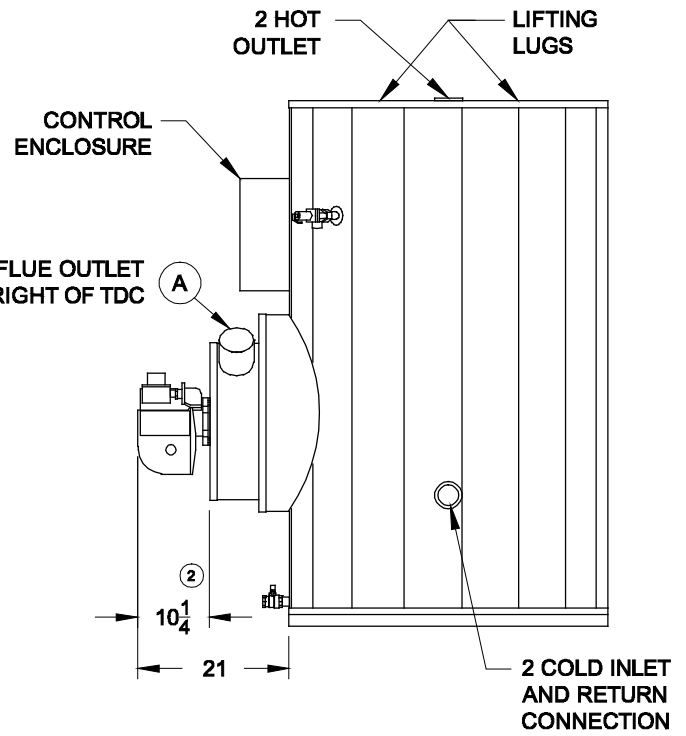
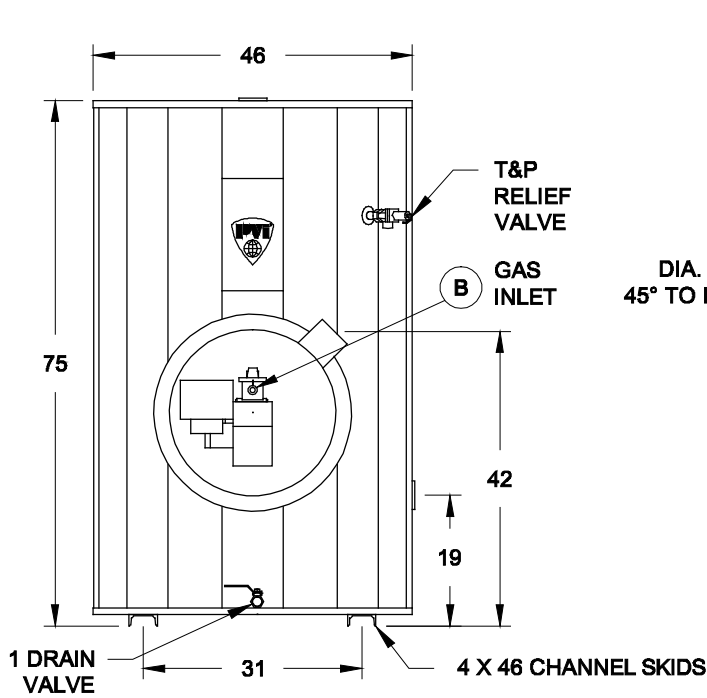


LOW NO_x TURBOPOWER® • PACKAGED WATER HEATER
 AquaPLEX® STORAGE TANK (UNLINED DUPLEX ALLOY)

TANK SERIES 300 GALLONS VERTICAL

| MODEL NUMBER | Recovery gph ① | | INPUT Btu/h | Min. Inlet Flow Gas Pressure " W.C. ③ | SCAQMD Energy Model No. | | Blower Motor | | Shipping Weight lbs | | |
|----------------|----------------|-------------|-------------|---------------------------------------|-------------------------|------------|--------------|------|---------------------|---|------|
| | 40° - 120°F | 40° - 140°F | | | A | B | HP | Amps | | | |
| 250 L 300A-TPL | 250 | 200 | 199,000 | 4.5 | 2TPL | 199 MBtu/h | 4 | 3/4 | 1/6 | 3 | 1390 |
| 375 L 300A-TPL | 375 | 300 | 300,000 | 4.5 | 3TPL | 299 MBtu/h | 4 | 3/4 | 1/6 | 3 | 1400 |
| 500 L 300A-TPL | 500 | 400 | 399,000 | 4.5 | 4TPL | 399 MBtu/h | 5 | 3/4 | 1/6 | 3 | 1410 |

- ① Recoveries based on 83% thermal efficiency. ASHRAE 90.1 compliant for efficiency and standby loss.
- ② Dimension is for the burner housing only – gas train may exceed this dimension.
- ③ Standard gas train.
- * The information presented is for natural gas 0.6 S.G.
 Minimum inlet pressure for LP = 8.0 W.C.
 Dimensions are in inches unless otherwise specified.
 For standard and optional equipment, see form #PV8089.



STANDARD GAS PRESSURE REQUIREMENTS:
 SEE TABLE FOR MINIMUM PRESSURE BY MODEL NUMBER.
 MAXIMUM STATIC INLET GAS PRESSURE IS 10.5" W.C.
 FOR GAS PRESSURES OUTSIDE OF THIS RANGE,
 CONTACT YOUR PVI REPRESENTATIVE.

VENTING REQUIREMENTS:
 -.02" TO -.06" W.C. (NEGATIVE PRESSURE).
 TYPE B VENTING.
**ENTIRE VENT SYSTEM SHOULD NEVER BE SIZED BASED UPON
 THE VENT CONNECTION DIAMETER EXCLUSIVELY. CHECK
 NATIONAL FUEL GAS CODE UNDER "FAN ASSISTED."**

STANDARD ELECTRICAL REQUIREMENTS:
CONTROL VOLTAGE: 120V, 1Ø, 60 HZ., 2 AMPS.
MOTOR VOLTAGE: 120V, 1Ø, 60 HZ.

PVI RESERVES THE RIGHT TO CHANGE THE DESIGN AND SPECIFICATION WITHOUT NOTICE.



PVI INDUSTRIES, LLC
 FORT WORTH, TEXAS 76111
 (800) 784-8326 • www.pvi.com