

LOW NO_x TURBOPOWER® • PACKAGED WATER HEATER
AquaPLEX® STORAGE TANK (UNLINED DUPLEX ALLOY)

TANK SERIES 500 GALLONS VERTICAL

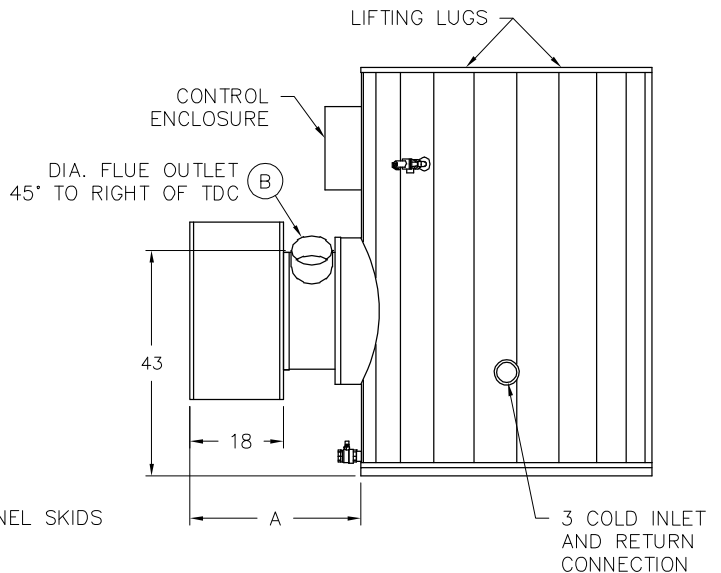
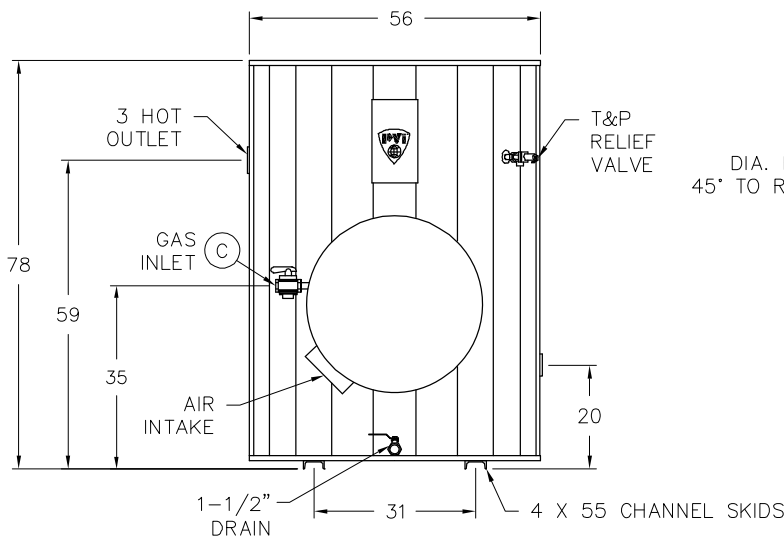
| MODEL NUMBER | Recovery gph ① | | INPUT Btu/h | Min. Inlet Flow Gas Pressure " W.C. ② | SCAQMD Energy Model No. | | Dimensions (inches) | | | Blower Motor | | Shipping Weight lbs |
|-----------------|----------------|-------------|-------------|---------------------------------------|-------------------------|-------------|---------------------|----|-------|--------------|----|---------------------|
| | 40° - 120°F | 40° - 140°F | | | A | B | C | HP | Amps | | | |
| 1000 L 500A-TPL | 1000 | 800 | 800,000 | 4.5 | 8TPL | 800 MBtu/h | 31-1/2 | 8 | 1 | 1/2 | 7 | 2100 |
| 1500 L 500A-TPL | 1500 | 1200 | 1,200,000 | 4.5 | 12TPL | 1200 MBtu/h | 48-1/2 | 8 | 1-1/4 | 1 | 14 | 2370 |

① Recoveries based on 83% thermal efficiency. ASHRAE 90.1 compliant for efficiency and standby loss.

② With standard gas train

* The information presented is for natural gas 0.6 S.G.
 Dimensions are in inches unless otherwise specified.

For standard and optional equipment, see form #PV 8102.



STANDARD GAS PRESSURE REQUIREMENTS:
 SEE TABLE FOR MINIMUM PRESSURE BY MODEL.
 MAXIMUM STATIC INLET GAS PRESSURE IS 10.5" W.C.
 FOR GAS PRESSURES OUTSIDE OF THIS RANGE,
 CONTACT YOUR PVI REPRESENTATIVE.

STANDARD ELECTRICAL REQUIREMENTS:
VOLTAGE: 120V, 1Ø, 60 HZ., 20 AMPS.
 OTHER VOLTAGES REQUIRE AN EXTERNAL
 STEPDOWN TRANSFORMER.

VENTING REQUIREMENTS:
 -.02" TO -.06" W.C. (NEGATIVE PRESSURE).
 TYPE B VENTING.
**ENTIRE VENT SYSTEM SHOULD NEVER BE SIZED BASED UPON
 THE VENT CONNECTION DIAMETER EXCLUSIVELY. CHECK
 NATIONAL FUEL GAS CODE UNDER "FAN ASSISTED."**

**PVI RESERVES THE RIGHT TO CHANGE THE DESIGN AND
 SPECIFICATION WITHOUT NOTICE.**



PVI Industries, LLC
 Fort Worth, TX • (800) 784-8326 • www.pvi.com