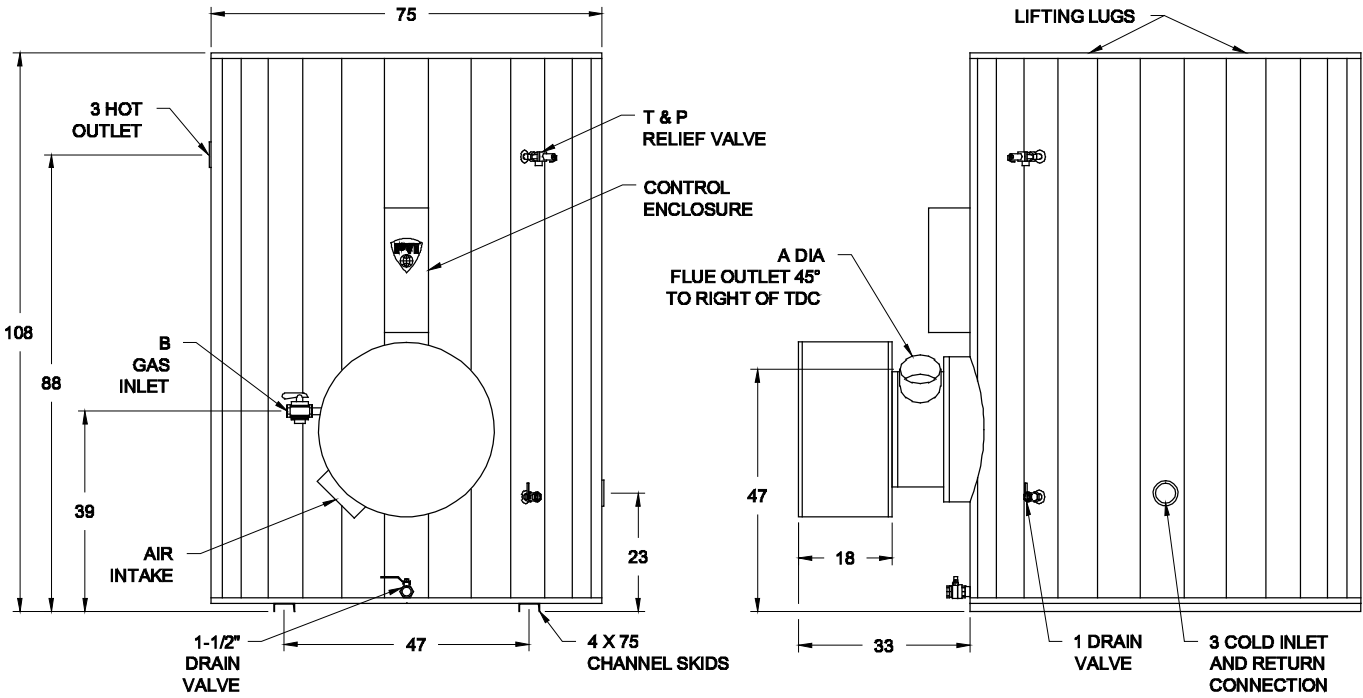


LOW NO<sub>x</sub> TURBOPOWER® • PACKAGED WATER HEATER  
 AquaPLEX® STORAGE TANK (UNLINED DUPLEX ALLOY)

TANK SERIES 1500 GALLONS VERTICAL

| MODEL NUMBER     | Recovery gph ① |             | INPUT Btu/h | Min. Inlet Flow Gas Pressure "W.C. ② | SCAQMD Energy Model No. |             | Dimensions (inches) |       | Blower Motor |      | Shipping Weight lbs |
|------------------|----------------|-------------|-------------|--------------------------------------|-------------------------|-------------|---------------------|-------|--------------|------|---------------------|
|                  | 40° - 120°F    | 40° - 140°F |             |                                      |                         |             | A ③                 | B     | HP           | Amps |                     |
| 1000 L 1500A-TPL | 1000           | 800         | 800,000     | 4.5                                  | 8TPL                    | 800 MBtu/h  | 8                   | 1     | 1/2          | 7    | 4075                |
| 1500 L 1500A-TPL | 1500           | 1200        | 1,200,000   | 4.5                                  | 12TPL                   | 1200 MBtu/h | 8                   | 1-1/4 | 1            | 14   | 4085                |

- ① Recoveries based on 83% thermal efficiency. ASHRAE 90.1 compliant for efficiency and standby loss.
- ② Standard gas train.
- ③ Do not use flue outlet size to determine vent system size. For proper sizing use the National Fuel Gas Code "Fan-assisted" table.
- \* The information presented is for natural gas 0.6 S.G.  
 Dimensions are in inches unless otherwise specified.  
 For standard and optional equipment, see form #PV8102.  
 Includes horizontal shipping skids (not shown).



**STANDARD GAS PRESSURE REQUIREMENTS:**  
 SEE TABLE FOR MINIMUM PRESSURE BY MODEL.  
 MAXIMUM STATIC INLET GAS PRESSURE IS 10.5" W.C.  
 FOR GAS PRESSURES OUTSIDE OF THIS RANGE,  
 CONTACT YOUR PVI REPRESENTATIVE.

**VENTING REQUIREMENTS:**  
 -.02" TO -.06" W.C. (NEGATIVE PRESSURE).  
 CATEGORY I, TYPE B VENTING.  
**ENTIRE VENT SYSTEM SHOULD NEVER BE SIZED BASED UPON  
 THE VENT CONNECTION DIAMETER EXCLUSIVELY. CHECK  
 NATIONAL FUEL GAS CODE UNDER "FAN ASSISTED."**

**STANDARD ELECTRICAL REQUIREMENTS:**  
**VOLTAGE: 120V, 1Ø, 60 HZ., 20 AMPS.**  
 OTHER VOLTAGES REQUIRE AN EXTERNAL  
 STEPDOWN TRANSFORMER.

**PVI RESERVES THE RIGHT TO CHANGE THE DESIGN AND  
 SPECIFICATION WITHOUT NOTICE.**



PVI INDUSTRIES, LLC  
 FORT WORTH, TEXAS 76111  
 (800) 784-8326 • www.pvi.com