

# LOW NO<sub>x</sub> MAXIM • PACKAGED GAS WATER HEATER

## AquaPLEX<sup>®</sup> STORAGE TANK (UNLINED DUPLEX ALLOY)

### TANK SERIES 119 GALLON

MODEL NUMBER	20 L 119A-MXS	
	GPH Recovery at 70° to 140°F ①	276
	GPH Recovery at 40° to 140°F ②	198
	Input Btu/h	199,000
*	Minimum gas inlet pressure – " W.C.	4.5
A	Cold Inlet - NPT	2
B	Hot Outlet - NPT	2
C	Drain - NPT	1
D	I - Beam Skids	3 X 34-1/2
E	Overall Depth	47
F	Overall Height	75
G	Flue Outlet Diameter	5
H	Gas Inlet - NPT	3/4
J	Motor HP 120V, 1Ø, 60 Hz.	1/6
	Motor Amps	3
L	Height to Outlet	65
M	Height to Inlet	28
	Approx. Shipping Weight - lbs	980

① Recoveries derived from DOE 10 CFR 431 testing requirements (ANSI Z 21.10.3 @ 70° to 140°F)

② Recoveries based upon 40°F entering water temperature  
Dimensions are in inches unless otherwise specified.

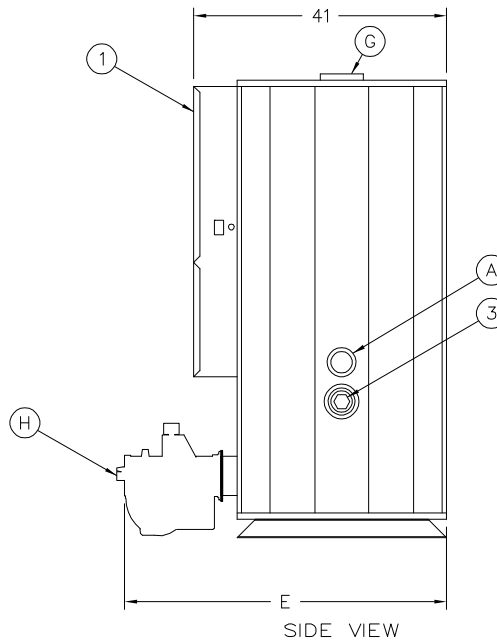
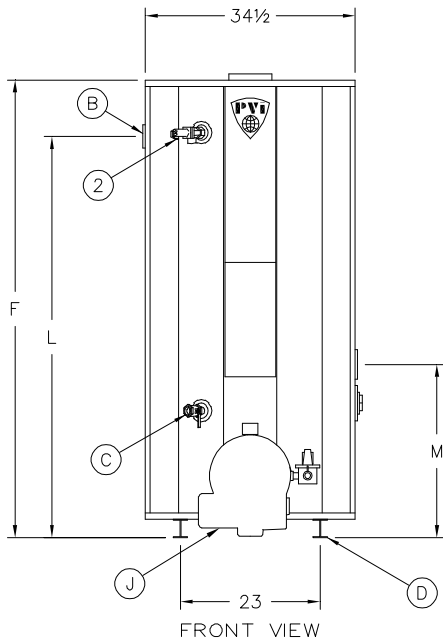
\* The information presented is for natural gas 0.6 S.G. –

For operation with propane (LP gas), consult the factory.

For standard and optional equipment, see Form # PV8123.



- 1. Control Enclosure
- 2. ASME Temperature & Pressure Relief Valve
- 3. 3" NPT Handhole



**STANDARD GAS PRESSURE REQUIREMENTS:**  
SEE TABLE FOR MINIMUM PRESSURE BY MODEL NUMBER.  
MAXIMUM STATIC PRESSURE: 10.5" W.C.  
FOR GAS PRESSURES OUTSIDE OF THIS RANGE,  
CONTACT YOUR PVI REPRESENTATIVE.

**STANDARD ELECTRICAL REQUIREMENTS:**  
**CONTROL VOLTAGE:** 120V, 1Ø, 60 HZ., 2 AMPS  
**MOTOR VOLTAGE:** 120V, 1Ø, 60 HZ.  
SEE ABOVE CHART FOR BLOWER MOTOR AMPS

**VENTING REQUIREMENTS:**  
-.02" TO -.06" W.C. (NEGATIVE PRESSURE).  
TYPE B VENTING.  
**THE ENTIRE VENT SYSTEM SHOULD NEVER BE SIZED BASED UPON THE VENT CONNECTION DIAMETER EXCLUSIVELY.**  
**FOR PROPER VENT SIZING, CONSULT THE NATIONAL FUEL GAS CODE UNDER "FAN-ASSISTED".**

PVI RESERVES THE RIGHT TO CHANGE THE DESIGN AND SPECIFICATION WITHOUT NOTICE.



PVI INDUSTRIES, LLC  
FORT WORTH, TEXAS 76111  
(800) 784-8326 • www.pvi.com