

LOW NO_x MAXIM • PACKAGED GAS WATER HEATER

AquaPLEX® STORAGE TANK (UNLINED DUPLEX ALLOY)

TANK SERIES 125 GALLON

MODEL NUMBER	20 L 125A-MXS	27 L 125A-MXS	40 L 125A-MXS
GPH Recovery at 70° to 140°F ①	276	376	555
GPH Recovery at 40° to 140°F ②	198	270	400
Input Btu/h	199,000	270,000	399,000
* Minimum gas inlet pressure – " W.C.	4.5	4.5	4.5
A Cold Inlet - NPT	2	2	2
B Hot Outlet - NPT	2	2	2
C Drain - NPT	1	1	1
D I - Beam Skids	3 X 34-1/2	3 x 34-1/2	3 x 34-1/2
E Overall Depth	45	45	45
F Overall Height	75	75	75
G Flue Outlet Diameter	5	6	7
H Gas Inlet - NPT	3/4	3/4	3/4
J Motor HP 120V, 1Ø, 60 Hz.	1/6	1/6	1/6
Motor Amps	3	3	3
L Height to Outlet	65	65	65
M Height to Inlet	28	28	28
Approx. Shipping Weight - lbs	920	955	1000

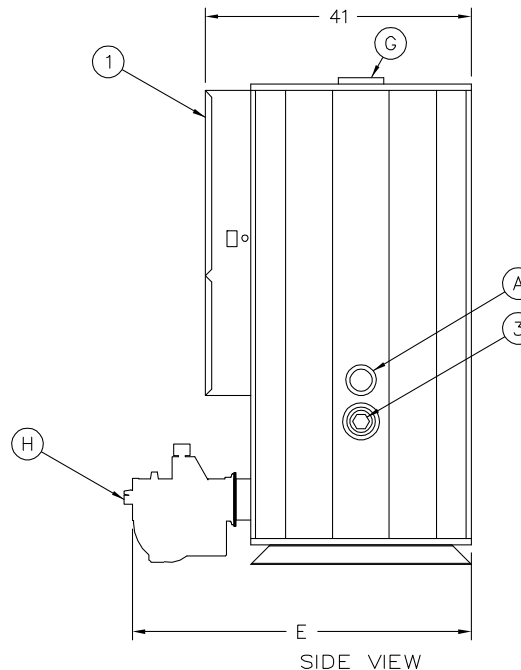
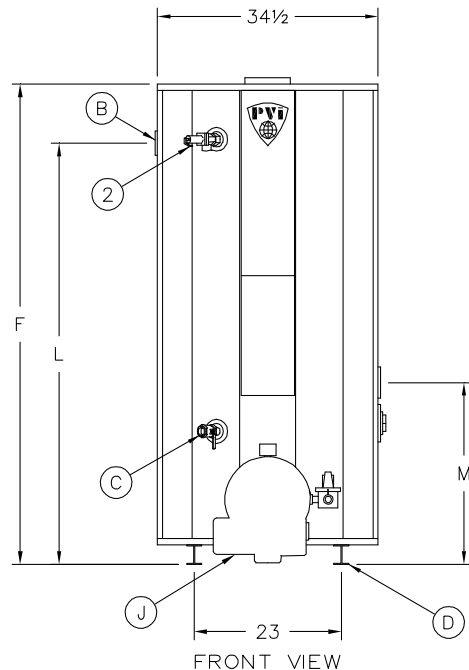
① Recoveries derived from DOE 10 CFR 431 testing requirements (ANSI Z 21.10.3 @ 70° to 140°F)

② Recoveries based upon 40°F entering water temperature. Dimensions are in inches unless otherwise specified.

* The information presented is for natural gas 0.6 S.G. –

For operation with propane (LP gas), consult the factory.

For standard and optional equipment, see Form # PV 8123.



1. Control Enclosure
2. ASME Temperature & Pressure Relief Valve
3. 3" NPT Handhole

STANDARD GAS PRESSURE REQUIREMENTS:

SEE TABLE FOR MINIMUM PRESSURE BY MODEL NUMBER.
 MAXIMUM STATIC PRESSURE: 10.5" W.C.
 FOR GAS PRESSURES OUTSIDE OF THIS RANGE,
 CONTACT YOUR PVI REPRESENTATIVE.

STANDARD ELECTRICAL REQUIREMENTS:

CONTROL VOLTAGE: 120V, 1Ø, 60 HZ., 2 AMPS
MOTOR VOLTAGE: 120V, 1Ø, 60 HZ.
 SEE ABOVE CHART FOR BLOWER MOTOR AMPS

VENTING REQUIREMENTS:

-.02" TO -.06" W.C. (NEGATIVE PRESSURE).
 TYPE B VENTING.
THE ENTIRE VENT SYSTEM SHOULD NEVER BE SIZED BASED UPON THE VENT CONNECTION DIAMETER EXCLUSIVELY.
FOR PROPER VENT SIZING, CONSULT THE NATIONAL FUEL GAS CODE UNDER "FAN-ASSISTED".

PVI RESERVES THE RIGHT TO CHANGE THE DESIGN AND SPECIFICATION WITHOUT NOTICE.



PVI INDUSTRIES, LLC
 FORT WORTH, TEXAS 76111
 (800) 784-8326 • www.pvi.com