

MAXIM • PACKAGED GAS WATER HEATER

AquaPLEX® STORAGE TANK (UNLINED DUPLEX ALLOY)

TANK SERIES 125 GALLON

MODEL NUMBER	20 L 125A-MXS	27 L 125A-MXS	40 L 125A-MXS	54 L 125A-MXG	72 L 125A-MXG	80 L 125A-MXG
GPH Recovery at 70° to 140°F ①	277	376	555	751	1001	1113
GPH Recovery at 40° to 140°F ②	198	270	400	540	720	800
Input Btu/h	199,000	270,000	399,000	540,000	720,000	800,000
* Min. inlet flow gas pressure " W.C.	4.5	4.5	4.5	4.5	4.5	4.5
* Max static gas pressure " W.C.	10.5	10.5	10.5	14	14	14
A Cold Inlet - NPT	2	2	2	2	2	2
B Hot Outlet - NPT	2	2	2	2	2	2
C Drain - NPT	1	1	1	1	1	1
D I - Beam Skids	3 x 34-1/2	3 x 34-1/2	3 x 34-1/2	3 x 34-1/2	3 x 34-1/2	3 x 34-1/2
E Overall Depth	45	45	45	53	52	54
F Overall Height	75	75	75	82	82	82
G Flue Outlet Diameter	5	6	7	8	10	10
H Gas Inlet - NPT	3/4	3/4	3/4	1	1-1/4	1-1/4
J Motor HP 120V, 1Ø, 60 Hz.	1/6	1/6	1/6	1/3	1/3	1/3
K Motor Amps	3	3	3	8	8	8
L Height to Outlet	65	65	65	73	73	73
M Height to Inlet	28	28	28	36	36	36
Approx. Shipping Weight - lbs	920	955	1000	1110	1190	1210

① Recoveries derived from DOE 10 CFR 431 testing requirements (ANSI Z 21.10.3 @ 70° to 140°F)

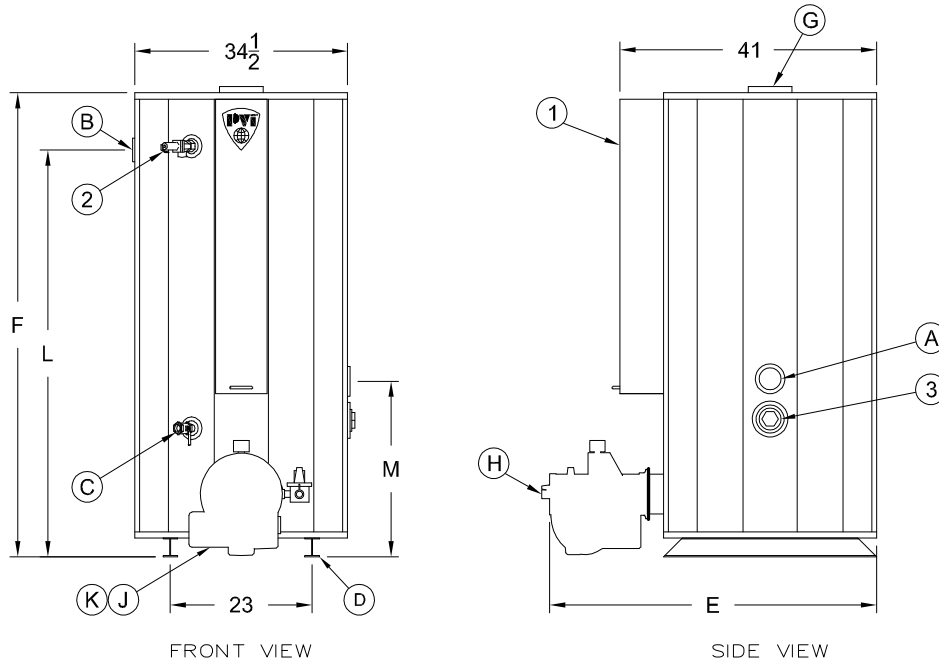
② Recoveries based upon 40°F entering water temperature

Models with suffix "MXS" are registered as low NOx water heaters in Texas.

* The information presented is for natural gas 0.6 S.G. – For operation with propane (LP gas), consult the factory.

* For gas pressures outside of this range, consult factory.

Dimensions are in inches unless otherwise specified. For standard and optional equipment, see form # PV 8127.



- 1. Control Enclosure
- 2. ASME Temperature & Pressure Relief Valve
- 3. 3" NPT Handhole

STANDARD ELECTRICAL REQUIREMENTS:

CONTROL VOLTAGE: 120V, 1Ø, 60 HZ., 2 AMPS

MOTOR VOLTAGE: 120V, 1Ø, 60 HZ.

SEE ABOVE CHART FOR BLOWER MOTOR AMPS

VENTING REQUIREMENTS:

-.02" TO -.06" W.C. (NEGATIVE PRESSURE).

TYPE B VENTING

THE ENTIRE VENT SYSTEM SHOULD NEVER BE SIZED BASED UPON THE VENT CONNECTION DIAMETER EXCLUSIVELY. FOR PROPER VENT SIZING, CONSULT THE NATIONAL FUEL GAS CODE UNDER "FAN-ASSISTED".

PVI RESERVES THE RIGHT TO CHANGE THE DESIGN AND SPECIFICATION WITHOUT NOTICE.



PVI INDUSTRIES, LLC
 FORT WORTH, TEXAS 76111
 (800) 784-8326 • www.pvi.com