

# TURBOPOWER® OIL • PACKAGED WATER HEATER

## AquaPLEX® STORAGE TANK (UNLINED DUPLEX ALLOY)

### TANK SERIES 400 GALLONS

Model Number	Recovery gph ①		Input Btu/h	Gph #2 Oil	Max. oil gph (gear capacity) ④	Dimensions (inches)			Blower Motor		Shipping Weight lbs
	40°- 120°F	40°- 140°F				A	B	J ②	HP	Volt/Ph/Amps	
500 L 400A-TPO	500	400	399,000	2.8	70	27-1/2	5	17	1/2	115/1Ø/10	1435
750 L 400A-TPO	750	600	600,000	4.3	70	30-1/2	6	17	1/2	115/1Ø/10	1515
1000 L 400A-TPO	1000	800	800,000	5.7	70	30-1/2	8	17	1/2	115/1Ø/10	1555
1250 L 400A-TPO	1250	1000	1,000,000	7.2	70	47-1/2	8	17	1/2	115/1Ø/10	1755
1500 L 400A-TPO	1500	1200	1,200,000	8.6	70	47-1/2	8	17	1/2	115/1Ø/10	1765
2000 L 400A-TPO	2000	1600	1,600,000	11.4	70	70-1/2	10	36	2	115/1Ø/10	2170
2500 L 400A-TPO	2500	2000	2,000,000	14.3	70	70-1/2	10	36	2	115/1Ø/10	2330

① Recoveries based on 83% thermal efficiency. ASHRAE 90.1 compliant for efficiency and standby loss.

② "J" dimension is for the burner housing only.

③ 4" x 46" Channel skids for inputs < 1000 MBtu/h.  
4" x 54-1/2" Channel skids for inputs ≥ 1000 MBtu/h.

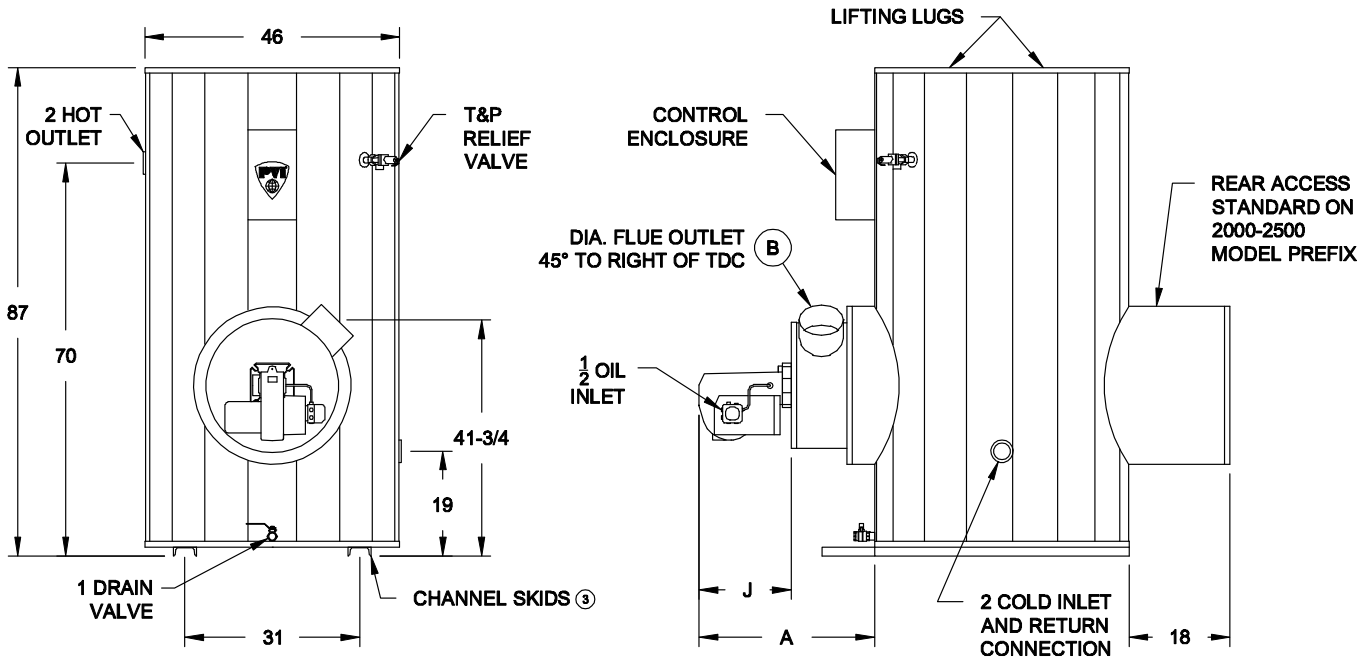
④ Standard gear capacities may change depending on burner supplier.

Designer must use gear capacities from the above chart to size the oil distribution piping system; including transfer pumps (if used).

The information presented is for Natural gas 0.6 S.G.—For operation with Propane (LP gas), consult factory.

Dimensions are in inches unless otherwise specified.

For standard and optional equipment, see form PV 8166.



**VENTING REQUIREMENTS**

-.02" TO -.06" W.C. (NEGATIVE PRESSURE)

*ENTIRE VENT SYSTEM SHOULD NEVER BE SIZED BASED UPON THE VENT CONNECTION DIAMETER EXCLUSIVELY. FOR PROPER SIZING, CONSULT VENTING SUPPLIER.*

**STANDARD ELECTRICAL REQUIREMENTS**

CONTROL VOLTAGE: 120V, 1Ø, 60 HZ., 2 AMPS.  
MOTOR VOLTAGE:  
208V, 230V, AND 460V MOTORS ARE AVAILABLE BUT WILL REQUIRE A SEPARATE 120V/2 amps CONTROL CIRCUIT OR AN OPTIONAL CONTROL CIRCUIT TRANSFORMER.

**PVI RESERVES THE RIGHT TO CHANGE THE DESIGN AND SPECIFICATION WITHOUT NOTICE.**