



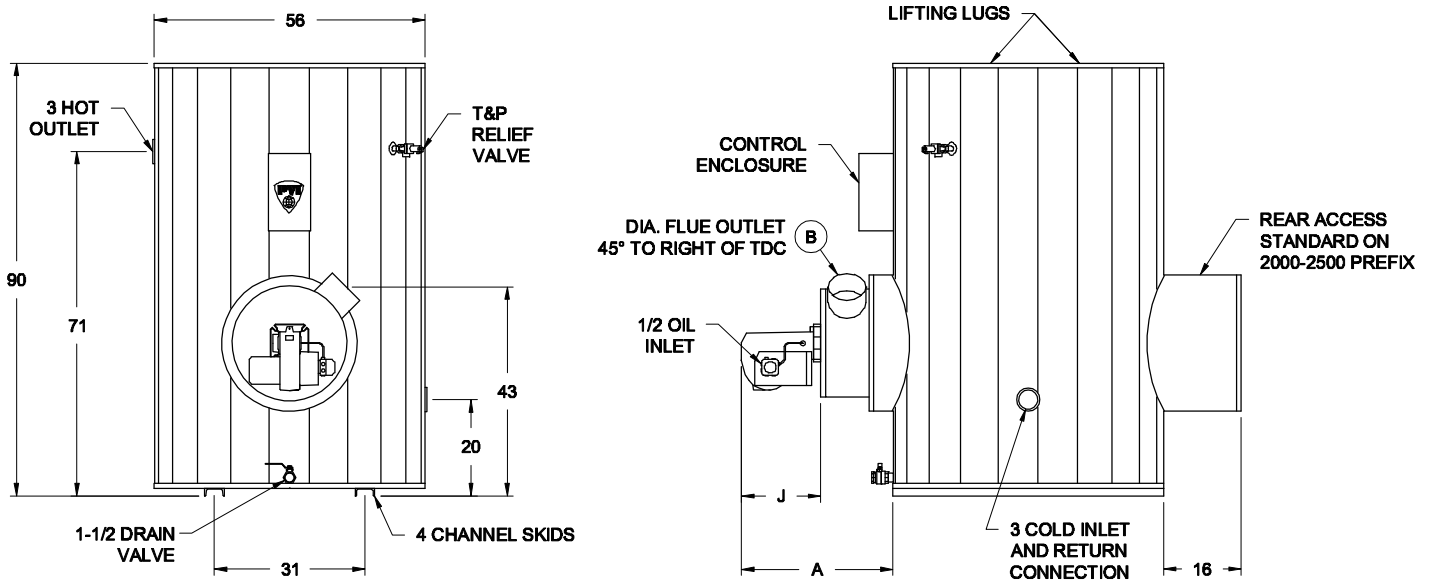
TURBOPOWER® OIL • PACKAGED WATER HEATER

AquaPLEX® STORAGE TANK (UNLINED DUPLEX ALLOY)

TANK SERIES 600 GALLONS

Model Number	Recovery gph ①		Input Btu/h	Gph #2 Oil	Dimensions (inches)			Blower Motor		Shipping Weight lbs
	40°- 120°F	40°- 140°F			A	B	J ∅	HP	Volt/Ph/Amps	
500 L 600A-TPO	500	400	399,000	2.8	26-1/2	5	17	1/2	115/1∅/10	2040
750 L 600A-TPO	750	600	600,000	4.3	29-1/2	6	17	1/2	115/1∅/10	2120
1000 L 600A-TPO	1000	800	800,000	5.7	29-1/2	8	17	1/2	115/1∅/10	2160
1250 L 600A-TPO	1250	1000	1,000,000	7.2	37-1/2	8	17	1/2	115/1∅/10	2385
1500 L 600A-TPO	1500	1200	1,200,000	8.6	37-1/2	8	17	1/2	115/1∅/10	2395
2000 L 600A-TPO	2000	1600	1,600,000	11.4	63-1/2	10	36	2	115/1∅/24	2820
2500 L 600A-TPO	2500	2000	2,000,000	14.3	63-1/2	10	36	2	115/1∅/24	2990

- ① Recoveries based on 83% thermal efficiency. ASHRAE 90.1 compliant for efficiency and standby loss.
 - ② "J" dimension is for the burner housing only.
- Dimensions are in inches unless otherwise specified.
For standard and optional equipment, see form PV 8166.



VENTING REQUIREMENTS

-0.2" TO -.06" W.C. (NEGATIVE PRESSURE)

ENTIRE VENT SYSTEM SHOULD NEVER BE SIZED BASED UPON THE VENT CONNECTION DIAMETER EXCLUSIVELY. FOR PROPER SIZING, CONSULT VENTING SUPPLIER.

STANDARD ELECTRICAL REQUIREMENTS

CONTROL VOLTAGE: 120V, 1∅, 60 HZ., 2 AMPS.
MOTOR VOLTAGE:
208V, 230V, AND 460V MOTORS ARE AVAILABLE BUT WILL REQUIRE A SEPARATE 120V/2 amps CONTROL CIRCUIT OR AN OPTIONAL CONTROL CIRCUIT TRANSFORMER.

PVI RESERVES THE RIGHT TO CHANGE THE DESIGN AND SPECIFICATION WITHOUT NOTICE.