



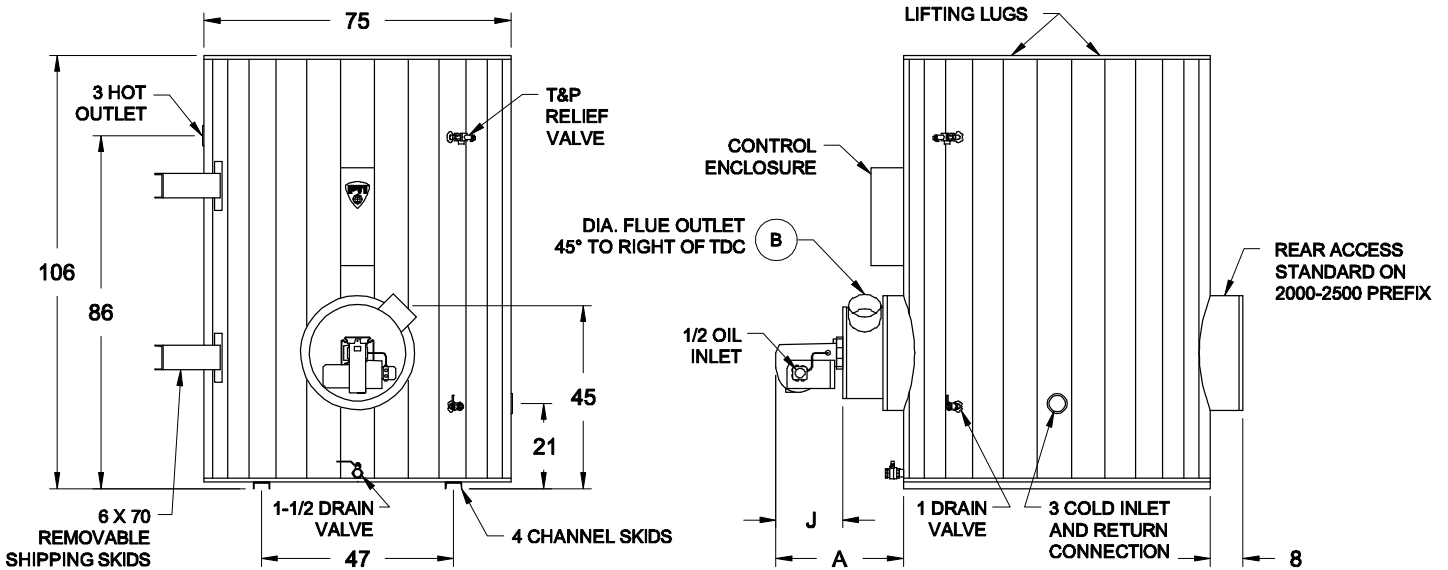
TURBOPOWER® OIL • PACKAGED WATER HEATER

AquaPLEX® STORAGE TANK (UNLINED DUPLEX ALLOY)

TANK SERIES 1500 GALLONS

Model Number	Recovery gph ①		Input Btu/h	Gph #2 Oil	Dimensions (inches)			Blower Motor		Shipping Weight lbs
	40°- 120°F	40°- 140°F			A	B ②	J ③	HP	Volt/Ph/Amps	
500 L 1500A-TPO	500	400	399,000	2.8	29	5	17	1/2	115/1Ø/10	3665
750 L 1500A-TPO	750	600	600,000	4.3	31	6	17	1/2	115/1Ø/10	3745
1000 L 1500A-TPO	1000	800	800,000	5.7	31	8	17	1/2	115/1Ø/10	3785
1250 L 1500A-TPO	1250	1000	1,000,000	7.2	31	8	17	1/2	115/1Ø/10	4025
1500 L 1500A-TPO	1500	1200	1,200,000	8.6	31	8	17	1/2	115/1Ø/10	4035
2000 L 1500A-TPO	2000	1600	1,600,000	11.4	56	10	36	2	115/1Ø/24	4460
2500 L 1500A-TPO	2500	2000	2,000,000	14.3	56	10	36	2	115/1Ø/24	4220

- ① Recoveries based on 83% thermal efficiency. ASHRAE 90.1 compliant for efficiency and standby loss.
 - ② Do not use flue outlet size to determine vent system size. For proper sizing, consult venting supplier.
 - ③ "J" dimension is for the burner housing only.
- Dimensions are in inches unless otherwise specified.
For standard and optional equipment, see form PV 8166.



VENTING REQUIREMENTS

-0.2" TO -.06" W.C. (NEGATIVE PRESSURE)

ENTIRE VENT SYSTEM SHOULD NEVER BE SIZED BASED UPON THE VENT CONNECTION DIAMETER EXCLUSIVELY. FOR PROPER SIZING, CONSULT VENTING SUPPLIER.

STANDARD ELECTRICAL REQUIREMENTS

CONTROL VOLTAGE: 120V, 1Ø, 60 HZ., 2 AMPS.
MOTOR VOLTAGE:
208V, 230V, AND 460V MOTORS ARE AVAILABLE BUT WILL REQUIRE A SEPARATE 120V/2 amps CONTROL CIRCUIT OR AN OPTIONAL CONTROL CIRCUIT TRANSFORMER.

PVI RESERVES THE RIGHT TO CHANGE THE DESIGN AND SPECIFICATION WITHOUT NOTICE.