

**MAXIM 3 Non-Condensing Water Heater**  
**AQUAPLEX® STORAGE TANK (UNLINED DUPLEX ALLOY)**  
**TANK SERIES 250 Gallon ■ 1000 to 2000 MBH**

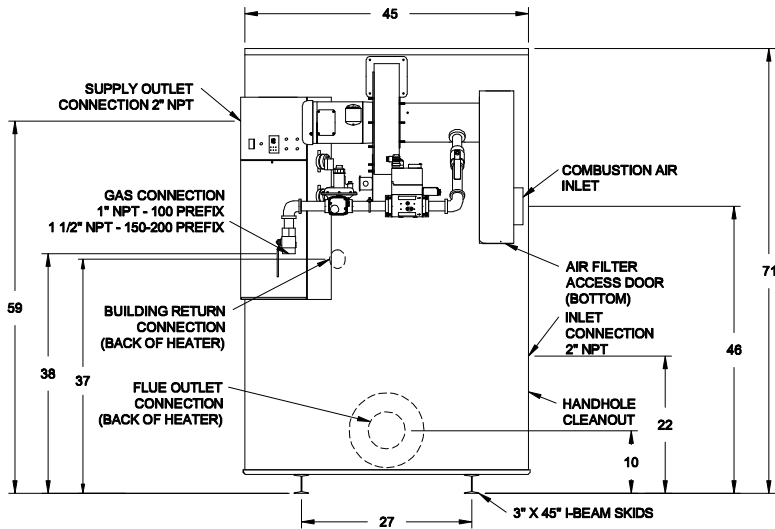
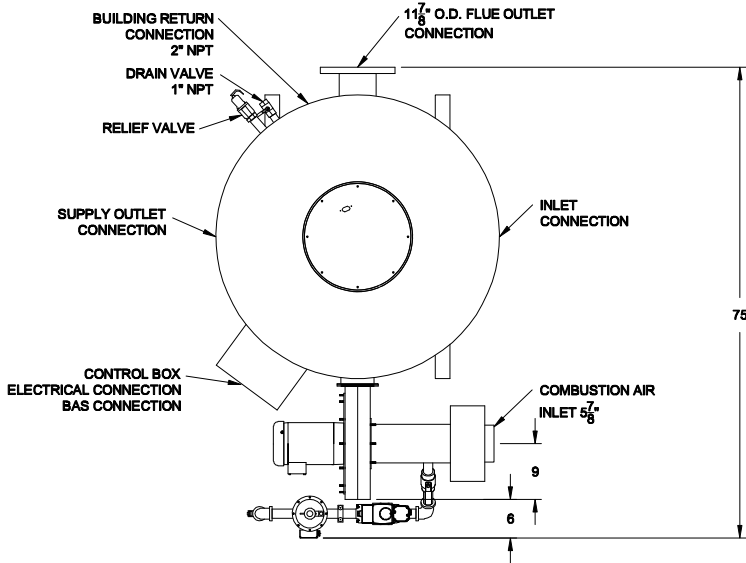
MODEL	BTU INPUT	GPH RECOVERY - Thermal Efficiency		SHIPPING WEIGHT (LBS.)	OPERATING WEIGHT (LBS.)
		70° to 140°F ①	40° to 140°F ②		
100 SL 250A-MXIF	999,000	1439	1007	1835	3095
150 L 250A-MXIF	1,500,000	2161	1513	1835	3095
180 L 250A-MXIF	1,800,000	2593	1815	1835	3095
200 L 250A-MXIF	2,000,000	2881	2017	1835	3095

① Recovery and thermal efficiency derived from DOE 10 CFR 431 testing requirements (ANSI Z21.10.3 @ 70°F to 140°F)

② Recovery and thermal efficiency based upon 40°F entering water temperature at full fire.

Dimensions are in inches unless otherwise specified.

For standard and optional equipment, see form PV 8218.



**Standard Electrical**

120V, 1Ø, 60 Hz., 15 amp circuit

**Venting**

Negative pressure Category I Type B vent should not be sized only upon vent connection diameter at the appliance. For proper vent sizing and design, refer to the National Fuel Gas Code. Use "FAN" rating.

**OR**

Positive pressure Category III or IV Stainless Steel venting listed by UL, ULC, ETL or CSA, refer to the Installation Manual.

**Inlet Combustion Air**

Up to 100 eq. ft. using 6" PVC or galvanized vent pipe. Longer lengths, ETL listed with larger diameters, see I&M.

**Gas Pressure - Natural**

Minimum inlet flow pressure: 4.5" W.C.  
 Maximum static pressure: 14" W.C.  
 For < 4.5"W.C., consult factory.  
 For LP option, consult factory.

**Minimum Service Clearances**

18" from sides, 24" from front and top

**Emissions**

< 20 ppm NOx

PVI reserves the right to change the design and specification without notice.

PV 8219 04-2017



**PVI INDUSTRIES, LLC**  
 FORT WORTH, TEXAS 76111  
 www.pvi.com