

MAXIM • PACKAGED OIL WATER HEATER AquaPLEX® STORAGE TANK (UNLINED DUPLEX ALLOY)

TANK SERIES 125 GALLON

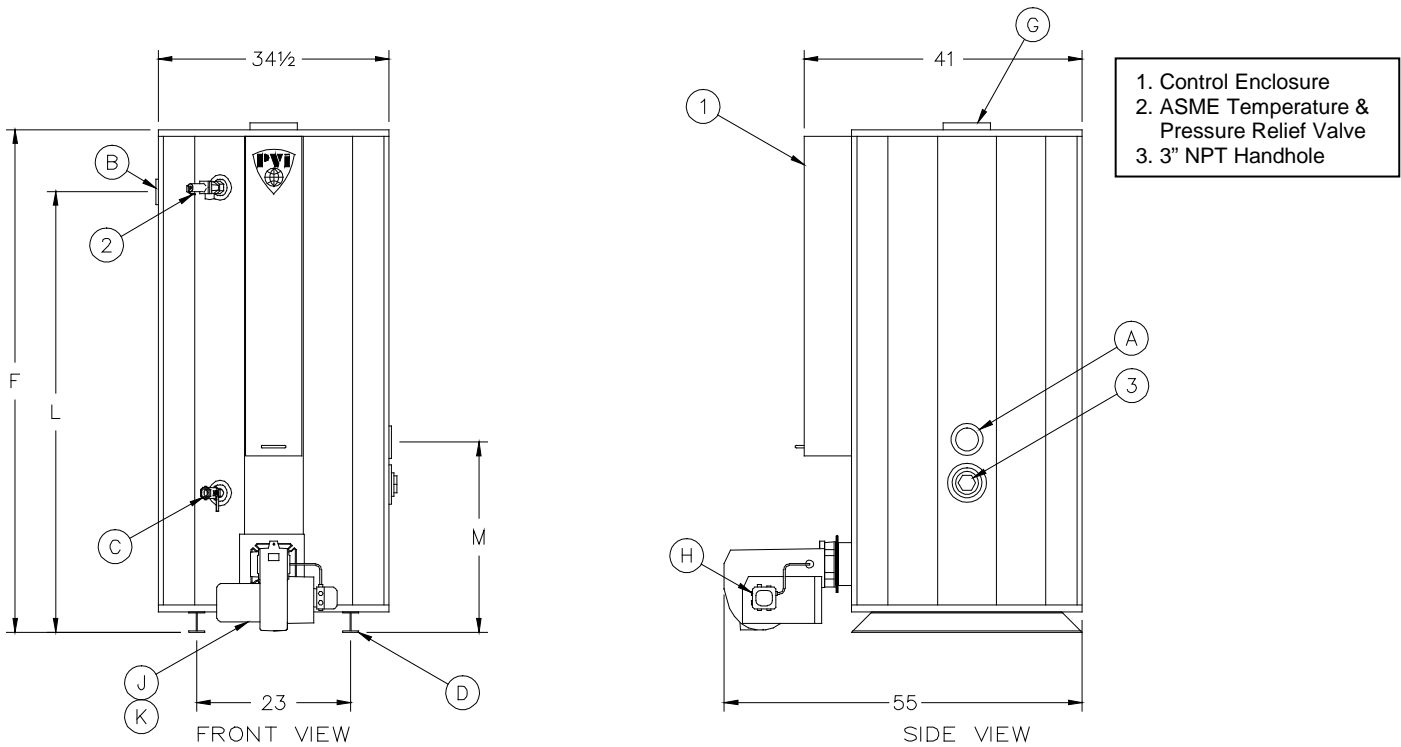
MODEL NUMBER	14 L 125A-MXO	20 L 125A-MXO	27 L 125A-MXO	40 L 125A-MXO	54 L 125A-MXO	72 L 125A-MXO
GPH Recovery at 70° to 140°F ①	194	276	376	555	751	1001
GPH Recovery at 40° to 140°F ②	140	200	270	400	540	720
Input Btu/h	140,000	199,000	270,000	399,000	540,000	720,000
Input gph #2 Fuel Oil	1.0	1.4	2.0	2.8	3.8	5.0
A Cold Inlet - NPT	2	2	2	2	2	2
B Hot Outlet - NPT	2	2	2	2	2	2
C Drain - NPT	1	1	1	1	1	1
D I - Beam Skids	3 x 34-1/2	3 x 34-1/2	3 x 34-1/2	3 x 34-1/2	3 x 34-1/2	3 x 34-1/2
F Overall Height	75	75	75	75	82	82
G Flue Outlet Diameter	5	5	6	7	8	10
H Oil Inlet - NPT	1/2	1/2	1/2	1/2	1/2	1/2
J Motor HP 120 V, 1Ø, 60 Hz.	1/2	1/2	1/2	1/2	1/2	1/2
Motor Amps	10	10	10	10	10	10
L Height to Outlet	65	65	65	65	73	73
M Height to Inlet	28	28	28	28	36	36
Approx. Shipping Weight - lbs	1020	1020	1070	1120	1260	1370

① Recoveries derived from DOE 10 CFR 431 testing requirements (ANSI Z 21.10.3 @ 70° to 140°F)

② Recoveries based upon 40°F entering water temperature

Dimensions are in inches unless otherwise specified.

For standard and optional equipment, see form # PV 8398.



STANDARD ELECTRICAL REQUIREMENTS:
CONTROL VOLTAGE: 120V, 1Ø, 60 HZ., 2 AMPS
MOTOR VOLTAGE: 120V, 1Ø, 60 HZ.
 SEE ABOVE CHART FOR BLOWER MOTOR AMPS

VENTING REQUIREMENTS:
 -.02" TO -.06" W.C. (NEGATIVE PRESSURE).
THE ENTIRE VENT SYSTEM SHOULD NEVER BE SIZED BASED UPON THE VENT CONNECTION DIAMETER EXCLUSIVELY.
FOR PROPER SIZING, CONSULT VENTING SUPPLIER.

PVI RESERVES THE RIGHT TO CHANGE THE DESIGN AND SPECIFICATION WITHOUT NOTICE



PVI INDUSTRIES, LLC
 FORT WORTH, TEXAS 76111
 (800) 784-8326 • www.pvi.com