

MAXIM• PACKAGED OIL WATER HEATER

AquaPLEX® STORAGE TANK (UNLINED DUPLEX ALLOY)

TANK SERIES 250 GALLON

MODEL NUMBER	27L250A-MXO	40L250A-MXO	54L250A-MXO	72L250A-MXO	100L250A-MXO	120L250A-MXO
GPH Recovery at 70° to 140°F ①	376	555	751	1001	1389	1667
GPH Recovery at 40° to 140°F ②	270	400	540	720	1000	1200
Input Btu/h	270,000	399,000	540,000	720,000	1,000,000	1,200,000
Input, gph #2 Fuel Oil	2.0	2.8	3.8	5.0	7.1	8.6
A Cold Inlet - NPT	2	2	2	2	2	2
B Hot Outlet - NPT	2	2	2	2	2	2
C Drain - NPT	1	1	1	1	1	1
D I - Beam Skids	3 X 45	3 X 45	3 X 45	3 X 45	3 X 45	3 X 45
F Overall Height	75	75	82	82	82	82
G Flue Outlet Diameter	6	7	8	10	10	12
H Oil Inlet - NPT	1/2	1/2	1/2	1/2	1/2	1/2
J Motor HP 120 V, 1Ø, 60 Hz.	1/2	1/2	1/2	1/2	1/2	1/2
Motor Amps	10	10	10	10	10	10
L Height to Outlet	65	65	73	73	73	73
M Height to Inlet	28	28	36	36	36	36
Max. Oil gph (gear capacity) ③	70	70	70	70	70	70
Approx. Shipping Weight - lbs	1470	1520	1600	1710	1870	2000

① Recoveries derived from DOE 10 CFR 431 testing requirements (ANSI Z 21.10.3 @ 70° to 140°F).

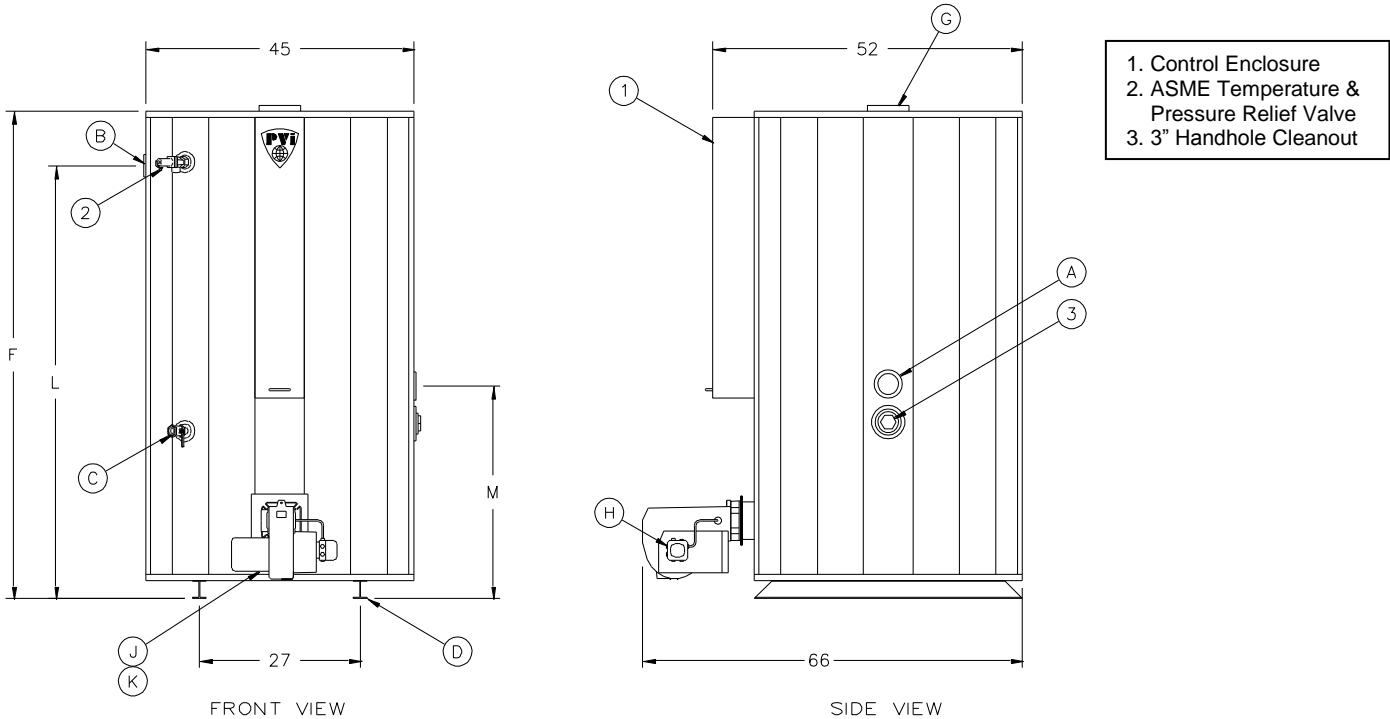
② Recoveries based upon 40°F entering water temperature.

③ Standard gear capacities may change depending on burner supplier.

Designer must use gear capacities from the above chart to size the oil distribution piping system; including transfer pumps (if used). The information presented is for Natural gas 0.6 S.G.—For operation with Propane (LP gas), consult factory.

Dimensions are in inches unless otherwise specified.

For standard and optional equipment, see form PV 8398.



STANDARD ELECTRICAL REQUIREMENTS:
CONTROL VOLTAGE: 120V, 1Ø, 60 HZ., 2 AMPS
MOTOR VOLTAGE: 120V, 1Ø, 60 HZ.
 SEE ABOVE CHART FOR BLOWER MOTOR AMPS

VENTING REQUIREMENTS:
 -.02" TO -.06" W.C. (NEGATIVE PRESSURE).
THE ENTIRE VENT SYSTEM SHOULD NEVER BE SIZED BASED UPON THE VENT CONNECTION DIAMETER EXCLUSIVELY.
FOR PROPER SIZING, CONSULT VENTING SUPPLIER.



PVI Industries, LLC
 Fort Worth, TX • (800) 784-8326 • www.pvi.com

PVI RESERVES THE RIGHT TO CHANGE THE DESIGN WITHOUT NOTICE.