

MAXIM • PACKAGED GAS /OIL WATER HEATER

AquaPLEX® STORAGE TANK (UNLINED DUPLEX ALLOY)

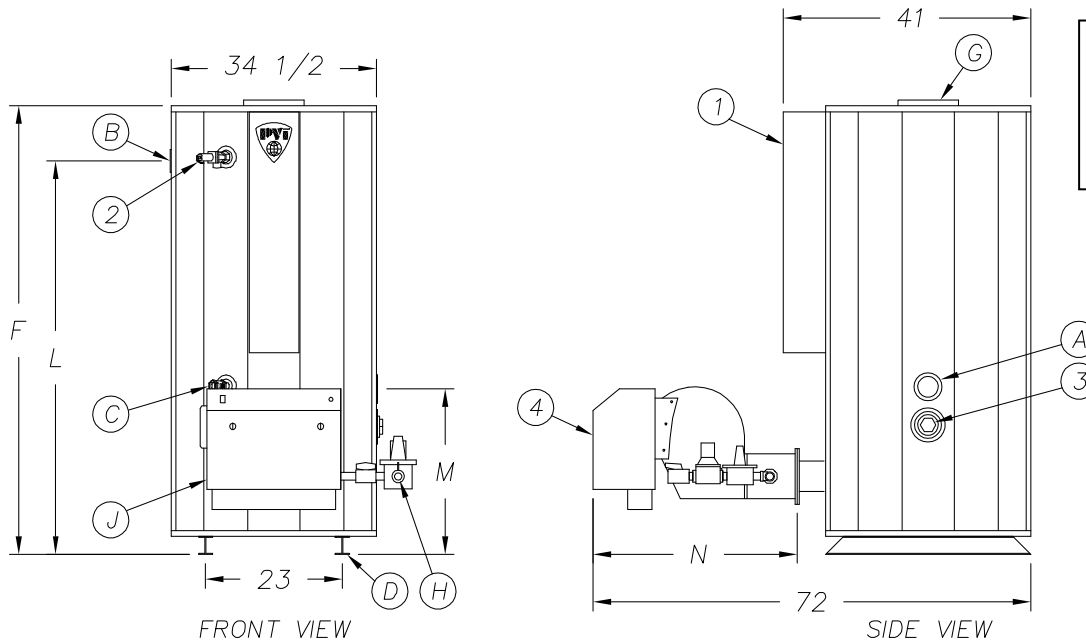
TANK SERIES 125 GALLON

MODEL NUMBER ▶	40-2.8 L 125A-PGO	54-3.8 L 125A-PGO	72-5.0 L 125A-PGO
GPH Recovery at 40° to 120° F	500	670	900
GPH Recovery at 40° to 140° F	400	540	720
Input Btu/h	400,000	540,000	720,000
Input gph #2 Fuel Oil	2.8	3.8	5.0
A Cold Inlet - NPT	2	2	2
B Hot Outlet - NPT	2	2	2
C Drain - NPT	1	1	1
D I - Beam Skids	3 x 34-1/2	3 x 34-1/2	3 x 34-1/2
F Overall Height	75	82	82
G Flue Outlet Diameter	7	8	10
H Gas Inlet	1	1	1
Minimum Inlet Flow Gas Pressure	4.5" W.C.	4.5" W.C.	6.5" W.C.
Maximum Static Gas Pressure	14" W.C.	14" W.C.	14" W.C.
J Oil Inlet	1/2	1/2	1/2
Motor HP 120 V, 1Ø, 60 Hz.	1/3	1/3	1/2
Motor Amps	8	8	10
L Height to Outlet	65	73	73
M Height to Inlet	28	36	36
N Depth of Burner Housing	31	31	31
Approx. Shipping Weight - lbs	1120	1260	1370

Recoveries based on 83% thermal efficiency. ASHRAE 90.1 compliant.

Dimensions are in inches unless otherwise specified.

For standard and optional equipment, see form # PV 8403.



1. Control Enclosure
2. ASME Temperature & Pressure Relief Valve
3. 3" NPT Handhole
4. Door swing requires 18" in front of the water heater

STANDARD ELECTRICAL REQUIREMENTS:
CONTROL VOLTAGE: 120V, 1Ø, 60 HZ., 2 AMPS
MOTOR VOLTAGE: 120V, 1Ø, 60 HZ.
 SEE ABOVE CHART FOR BLOWER MOTOR AMPS

VENTING REQUIREMENTS:
 -.02" TO -.06" W.C. (NEGATIVE PRESSURE).
THE ENTIRE VENT SYSTEM SHOULD NEVER BE SIZED BASED UPON THE VENT CONNECTION DIAMETER EXCLUSIVELY.
FOR PROPER SIZING, CONSULT THE NATIONAL FUEL GAS CODE UNDER "FAN-ASSISTED".

PVI RESERVES THE RIGHT TO CHANGE THE DESIGN AND SPECIFICATION WITHOUT NOTICE.



PVI INDUSTRIES, LLC
 FORT WORTH, TEXAS 76111
 (800) 784-8326 • www.pvi.com