

# MAXIM• PACKAGED GAS/OIL WATER HEATER

## AquaPLEX® STORAGE TANK (UNLINED DUPLEX ALLOY)

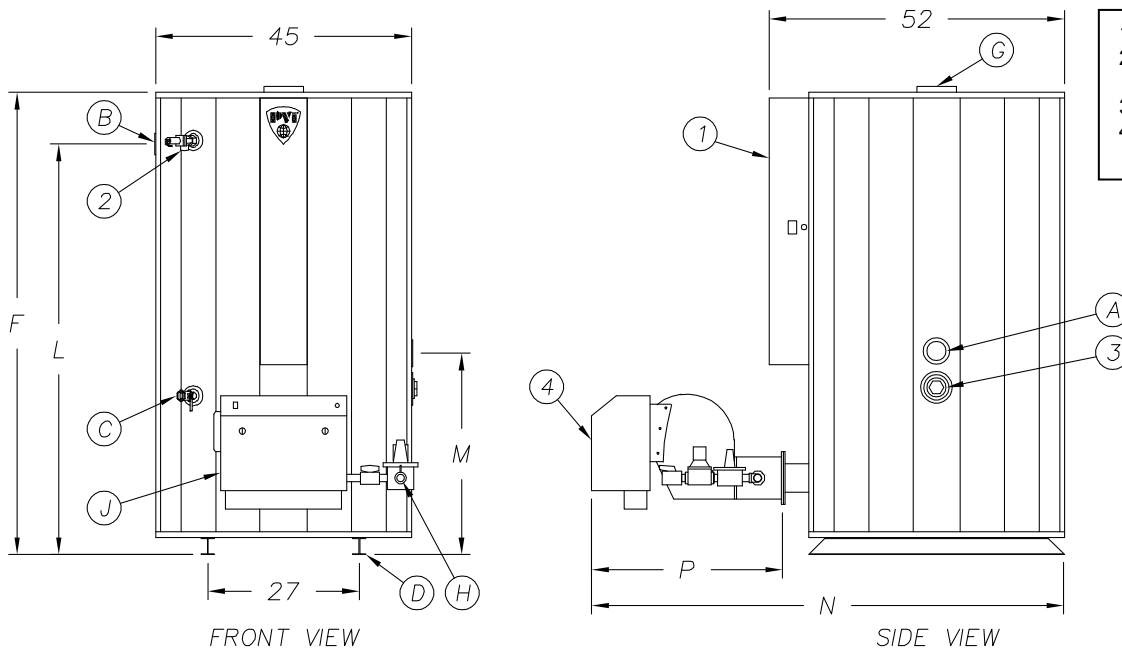
### TANK SERIES 250 GALLON

MODEL NUMBER ▶	100-7.1 L 250A-PGO	120-9.0 L 250A-PGO
GPH Recovery at 40° to 120° F	1250	1500
GPH Recovery at 40° to 140° F	1000	1200
Input Btu/h	1,000,000	1,200,000
Input, gph #2 Fuel Oil	7.1	8.6
A Cold Inlet - NPT	2	2
B Hot Outlet - NPT	2	2
C Drain - NPT	1	1
D I - Beam Skids	3 X 45	3 X 45
F Overall Height	82	82
G Flue Outlet Diameter	10	12
H Gas Inlet	1	1-1/4
Minimum Inlet Flow Gas Pressure	8.0" W.C.	8.0" W.C.
Maximum Static Gas Pressure	14" W.C.	14" W.C.
J Oil Inlet	1/2	1/2
Motor HP 120 V, 1Ø, 60 Hz.	1/2	1/2
Motor Amps	10	10
L Height to Outlet	73	73
M Height to Inlet	36	36
N Overall Depth	83	83
P Depth of Burner Housing	31	31
Approx. Shipping Weight - lbs	1870	2000

Recoveries based on 83% thermal efficiency. ASHRAE 90.1 compliant.

Dimensions are in inches unless otherwise specified.

For standard and optional equipment, see form # PV 8403.



1. Control Enclosure
2. ASME Temperature & Pressure Relief Valve
3. 3" NPT Handhole
4. Door swing requires 18" in front of the water heater

#### STANDARD ELECTRICAL REQUIREMENTS:

**CONTROL VOLTAGE:** 120V, 1Ø, 60 HZ., 2 AMPS

**MOTOR VOLTAGE:** 120V, 1Ø, 60 HZ.

SEE ABOVE CHART FOR BLOWER MOTOR AMPS

#### VENTING REQUIREMENTS:

-.02" TO -.06" W.C. (NEGATIVE PRESSURE).

**THE ENTIRE VENT SYSTEM SHOULD NEVER BE SIZED BASED UPON THE VENT CONNECTION DIAMETER EXCLUSIVELY.**

**FOR PROPER SIZING, CONSULT THE NATIONAL FUEL GAS CODE UNDER "FAN-ASSISTED".**



**PVI RESERVES THE RIGHT TO CHANGE THE DESIGN AND SPECIFICATION WITHOUT NOTICE.**

PVI INDUSTRIES, LLC  
 FORT WORTH, TEXAS 76111  
 (800) 784-8326 • www.pvi.com