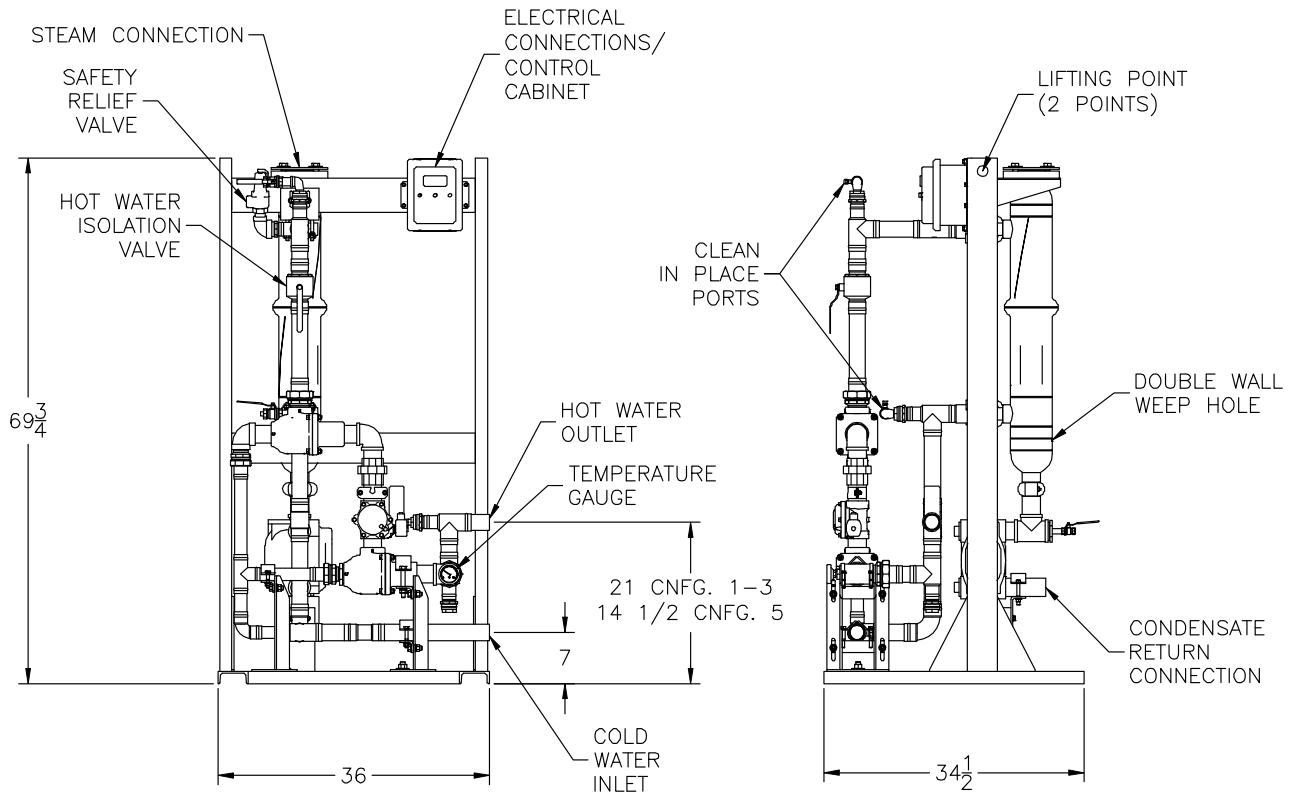


# COBREX<sup>®</sup>

## Double Wall Instantaneous Steam-to-Water Heater

### Dimensions for Single Heat Exchanger Models Configurations 1, 2, 3 and 5



4 gpm minimum recirculation flow through CCX required.  
All dimensions are in inches.

Plumbing connections				
Product Configuration*	Cold Inlet NPT	Hot Outlet NPT	Steam Connection	Weight (lbs)
1, 2	1-1/2"	1-1/2"	3"	600
3	2"	2"	3"	625
5	3"	3"	3"	650

Consult factory for dimensional changes due to option additions.

Electrical requirements: 120V, 60 Hz., 9 amps service to a single-point connection.

\* For product configuration, refer to performance documents PV8427, PV8428 and PV8429.

For standard and optional equipment list, refer to form PV8426.



PVI Industries, LLC  
Engineered Water Heating Solutions<sup>®</sup>  
www.pvi.com  
Fort Worth, TX • 800-784-8326

PVI RESERVES THE RIGHT TO CHANGE THE  
DESIGN AND SPECIFICATION WITHOUT NOTICE.