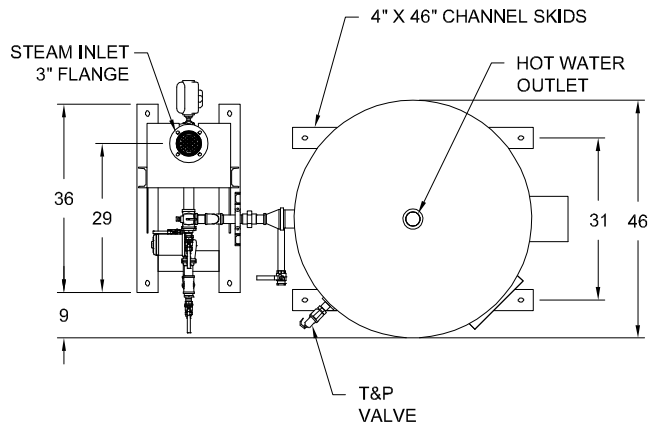


**AquaPLEX® Storage Tank (unlined duplex alloy)  
with COBREX® Steam Heat Exchanger - Double-wall  
250 Gallon Tank Series - Dimensions**

Model No.	Amps @ 120V	Shipping Weight Lbs.
1200 L 250A-TCX	4	1390
1800 L 250A-TCX	5	1420
2700 L 250A-TCX	4	1440
3600 L 250A-TCX	5	1470

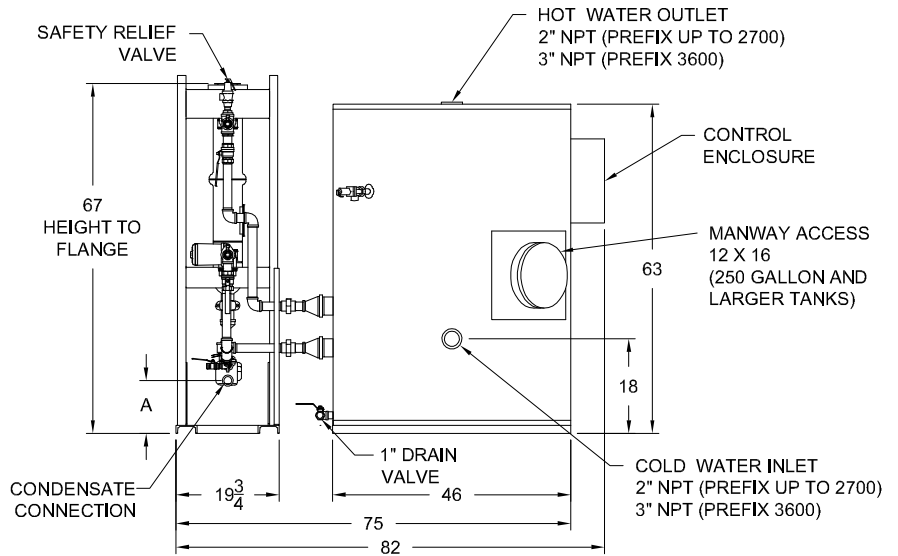


Refer to PV 8570 for standard and optional equipment.

Refer to PV 8587, PV 8588 and PV 8589 for detailed information on heat exchanger performance with different steam pressures and domestic water temperatures.

Steam pressures above 15 psi (125 psi max) require optional steam pressure reducing valve.

Recommended service clearance is 18 inches on all sides.



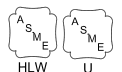
"A" Dimension Height to Condensate Outlet Connection	
Model Prefix	
1200 & 1800	11"
2700 & 3600	4-3/4"

Completed piping assembly is factory fit between the exchanger and tank and is separated at unions for shipping.

Tank and heat exchanger ship separately for field connection to piping assembly.



**PVI INDUSTRIES, LLC**  
FORT WORTH, TX 76111  
(800) 784-8326 • www.pvi.com



**PVI RESERVES THE RIGHT TO CHANGE THE DESIGN  
AND SPECIFICATION WITHOUT NOTICE.**