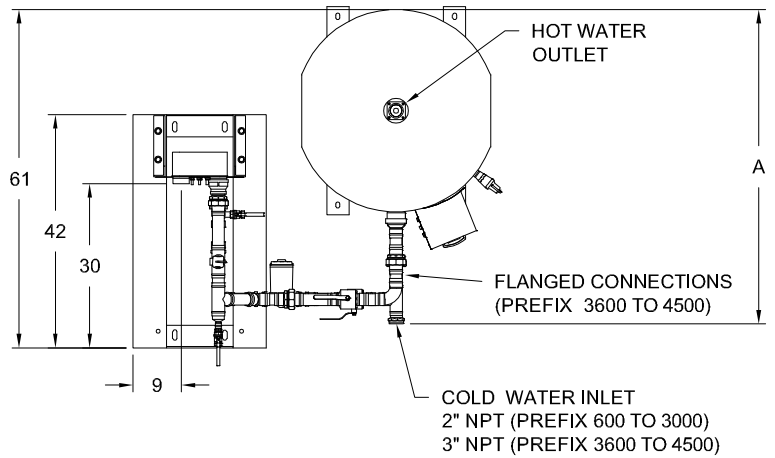


**AquaPLEX® Storage Tank (unlined duplex alloy)
with EZ PLATE® Boiler Water Heat Exchanger - Double-wall
215 Gallon Tank Series - Dimensions**

Model No.	Amps @120V ①	A	Shipping Weight Lbs.
600 L 215A-TRBPDW	4	57	1135
900 L 215A-TRBPDW	4	57	1165
1200 L 215A-TRBPDW	4	57	1180
1800 L 215A-TRBPDW	5	57	1200
2400 L 215A-TRBPDW	5	57	1260
3000 L 215A-TRBPDW	5	57	1275
3600 L 215A-TRBPDW	5	63	1290
4500 L 215A-TRBPDW	8	63	1320

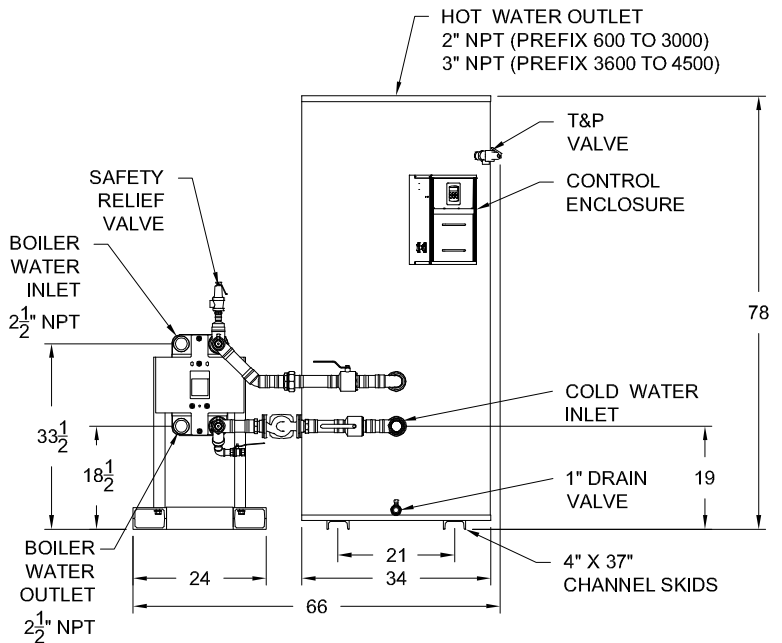


Refer to PV 8601, PV 8602 and PV 8603 for information on heat exchanger recoveries, pressure drop and boiler water flow requirements with various entering boiler water temperatures and domestic water temperatures.

Refer to PV 8600 for standard and optional equipment.

① Optional boiler water valve adds 2 amps

Recommended service clearance is 18 inches on all sides.



Completed piping assembly is factory fit between the exchanger and tank and separated at unions (or flanges) for shipping. Tank and heat exchanger ship separately for field assembly to piping assembly.



PVI INDUSTRIES, LLC
FORT WORTH, TX 76111
(800) 784-8326 • www.pvi.com



PVI RESERVES THE RIGHT TO CHANGE THE DESIGN
AND SPECIFICATION WITHOUT NOTICE.