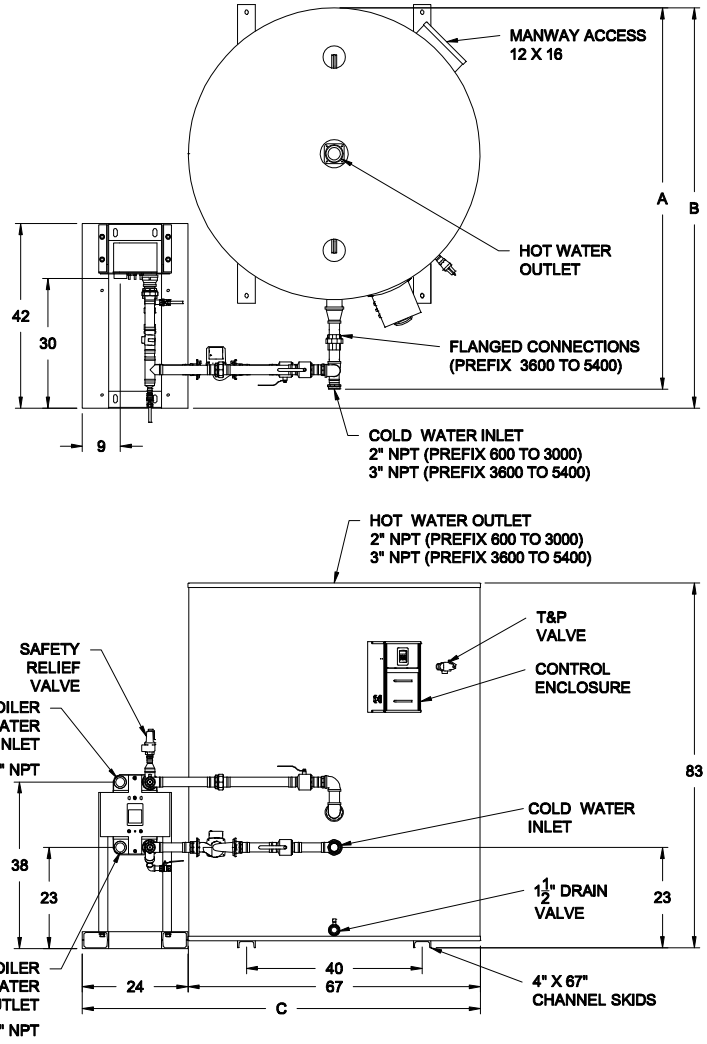


**AquaPLEX® Storage Tank (unlined duplex alloy)  
with EZ PLATE® Boiler Water Heat Exchanger - Double-wall  
750 Gallon Tank Series - Dimensions**

Model No.	Amps @120V ①	A	B	C	Shipping Weight Lbs.
600 L 750A-TRBPDW	4	86	91	91	2010
900 L 750A-TRBPDW	4	86	91	91	2040
1200 L 750A-TRBPDW	4	86	91	91	2050
1800 L 750A-TRBPDW	5	87	91	91	2080
2400 L 750A-TRBPDW	5	87	91	91	2140
3000 L 750A-TRBPDW	5	87	91	91	2150
3600 L 750A-TRBPDW	5	94	91	91	2170
4500 L 750A-TRBPDW	8	96	91	91	2195
5400 L 750A-TRBPDW	8	96	91	91	2265
7200 L 750A-TRBPDW	14	97	91	92	2425



Refer to PV 8601, PV 8602 and PV 8603 for information on heat exchanger recoveries, pressure drop and boiler water flow requirements with various entering boiler water temperatures and domestic water temperatures.

Refer to PV 8600 for standard and optional equipment.

① Optional boiler water valve adds 2 amps

Recommended service clearance is 18 inches on all sides.

Completed piping assembly is factory fit between the exchanger and tank and separated at unions (or flanges) for shipping. Tank and heat exchanger ship separately for field assembly to piping assembly.

**PVI reserves the right to change the design and specification without notice.**

