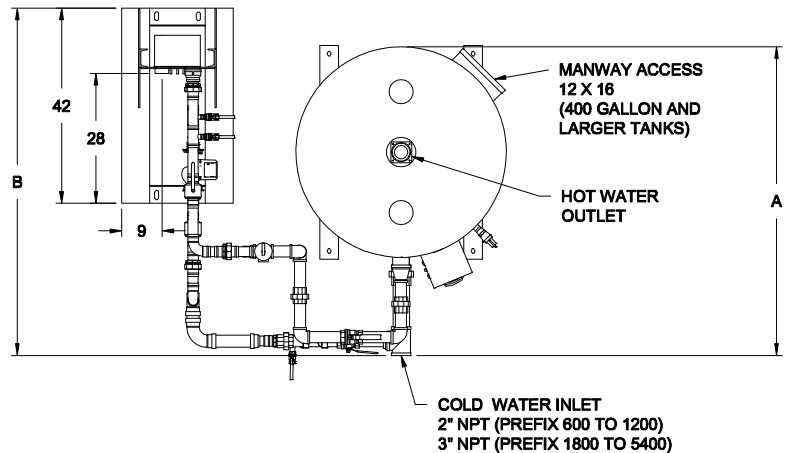


## AquaPLEX® Storage Tank (unlined duplex alloy) with EZ PLATE® Dual Boiler Water Heat Exchanger - Double-wall 400 Gallon Tank Series - Dimensions

Model No.	Amps @120V ①	A	B	Shipping Weight Lbs.
600-2 L 400A-TRBPDW	5	66	65	1455
900-2 L 400A-TRBPDW	5	66	65	1515
1200-2 L 400A-TRBPDW	5	66	65	1545
1800-2 L 400A-TRBPDW	7	66	75	1660
2400-2 L 400A-TRBPDW	7	66	75	1750
3000-2 L 400A-TRBPDW	7	66	75	1735
3600-2 L 400A-TRBPDW	11	63	72	1900
4500-2 L 400A-TRBPDW	11	63	72	1945
5400-2 L 400A-TRBPDW	13	67	76	2080

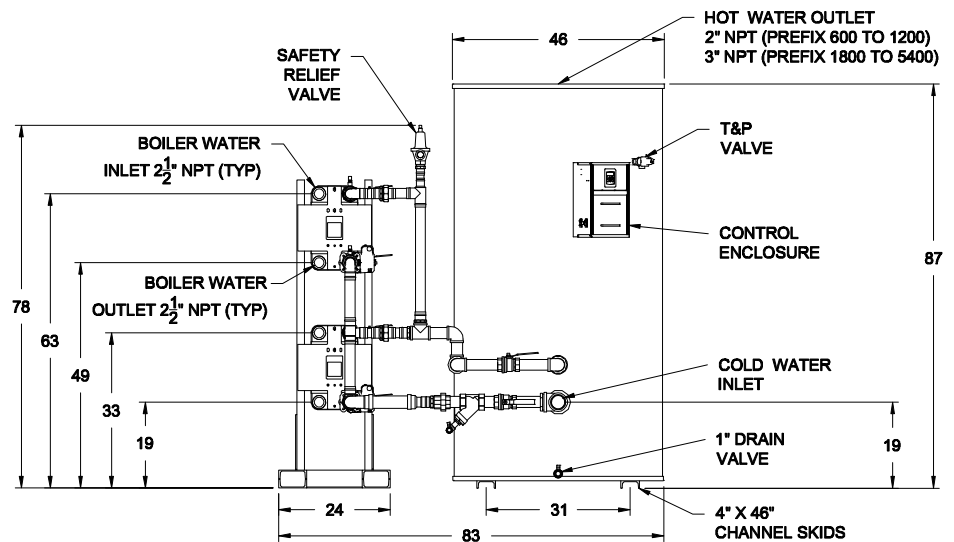


Refer to PV 8601, PV 8602 and PV 8603 for information on heat exchanger recoveries, pressure drop and boiler water flow requirements with various entering boiler water temperatures and domestic water temperatures.

Refer to PV 8600 for standard and optional equipment.

① Optional boiler water valve adds 2 amps total

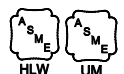
Recommended service clearance is 18 inches on all sides.



Completed piping assembly is factory fit between the exchanger and tank and separated at unions (or flanges) for shipping. Tank and heat exchanger ship separately for field assembly to piping assembly.



**PVI INDUSTRIES, LLC**  
FORT WORTH, TX 76111  
(800) 784-8326 • www.pvi.com



PVI RESERVES THE RIGHT TO CHANGE THE DESIGN  
AND SPECIFICATION WITHOUT NOTICE.