

# POWER VTX<sup>®</sup> CONDENSING GAS WATER HEATER

## AquaPLEX<sup>®</sup> Storage Tank and Heat Exchanger (unlined duplex alloy)

### TANK SERIES 225 GALLONS

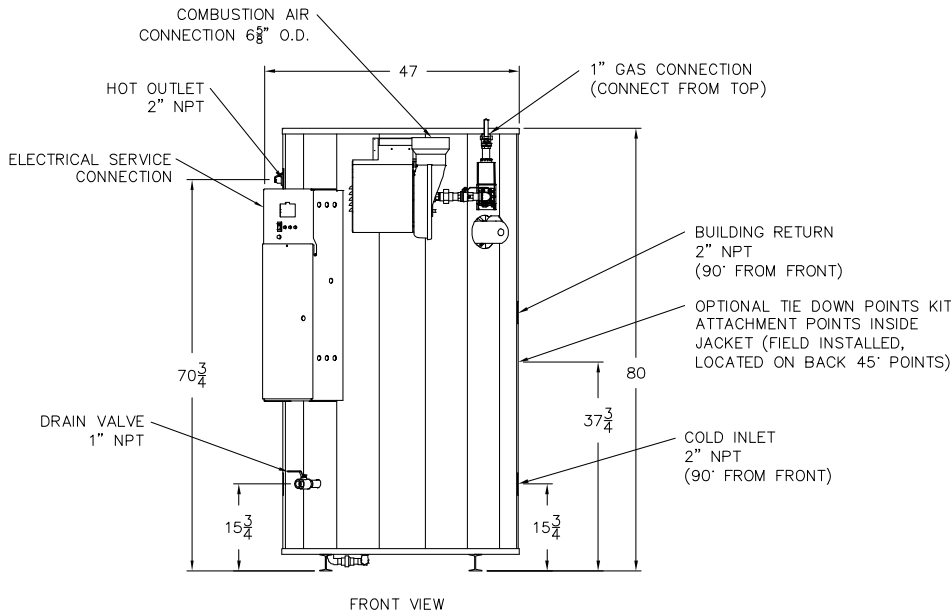
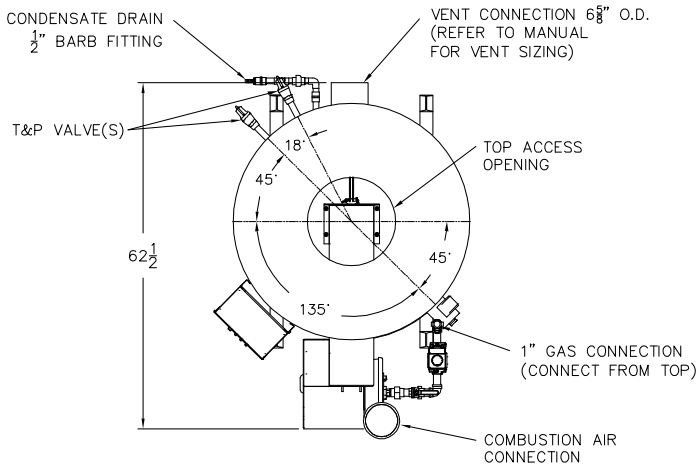
MODEL ▼	INPUT BTU	RECOVERY GPH (Thermal Efficiency)		VENT DIAMETER (ETL listed for longer vents with larger dia.)	Weight (lbs)	
		70°F to 140°F ①	40°F to 140°F ②		Shipping	Operating
50 L 225A-PVX	500,000	819 (95.5%)	582 (97%)	6" @ 200 eq. ft.	1520	3086
75 L 225A-PVX	750,000	1228 (95.5%)	873 (97%)		1610	3126
100 L 225A-PVX	999,000	1636 (95.5%)	1163 (97%)		1700	3157

① Recovers and thermal efficiency based upon DOE 10 CFR 431 testing per ANSI Z21.10.3 @ 70°F to 140°F.

② Recovers and thermal efficiency based upon 40°F entering water temperature.

Dimensions are in inches unless otherwise indicated.

For standard and optional equipment, refer to form PV 8680.



#### Standard Electrical Service

120VAC, 1Ø, 60 Hz.  
All models < 11 amps

#### Venting

Use a Category IV PVC, CPVC or ETL, UL, ULC or CSA listed stainless steel or Centrotherm InnoFlue SW Polypropylene vent.  
Consult manual for required vent material with entering water temperatures > 100°F.

Minimum vent length is 5 eq. feet.  
Maximum vent length varies by model number and vent diameter. Do not size vent based only upon connection diameter at the appliance. Refer to installation manual for sizing requirements.

#### Inlet Combustion Air Duct

Use PVC or galvanized pipe.  
200 eq. ft. through 6-inch diameter pipe.  
Longer lengths are ETL listed with larger diameters, refer to installation manual.

#### Gas Pressure - Natural

Minimum inlet flow pressure 3.5" W.C.  
Maximum static pressure 14" W.C.  
For LP gas, refer to installation manual.

#### Minimum Clearances

4" from sides and rear.  
24" from front, 16" from top. Can be installed directly on a combustible floor.

#### Recommended Service Clearances

18" from all sides. 24" from front, 16" from top.  
Check local and national codes for additional clearance requirements.

#### Emissions

All models < 20 ppm NOx.

PVI reserves the right to change the design and specification without notice.

PV 8681 07-2016



PVI INDUSTRIES, LLC  
www.pvi.com  
Fort Worth, TX • 800-784-8326