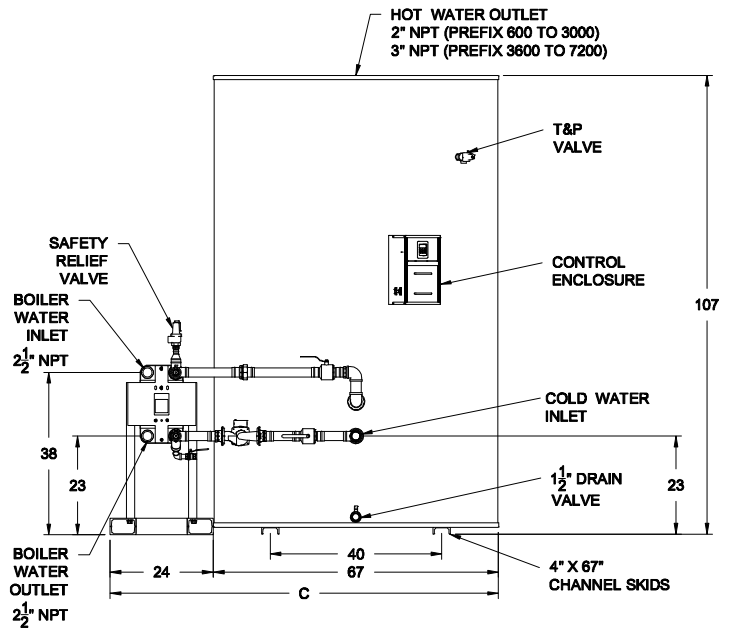
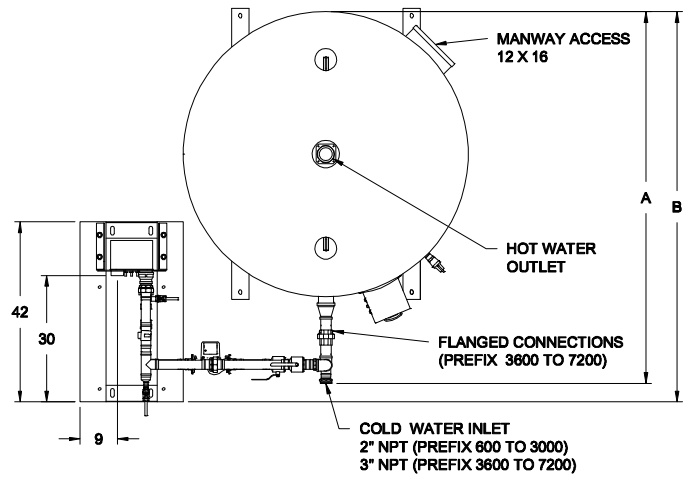


**AquaPLEX® Storage Tank (unlined duplex alloy)
with EZ PLATE® Boiler Water Heat Exchanger - Double-wall
1000 Gallon Tank Series - Dimensions**

Model No.	Amps @120V ①	A	B	C	Shipping Weight Lbs.
600 L 1000A-TRBPDW	4	86	91	91	2450
900 L 1000A-TRBPDW	4	86	91	91	2480
1200 L 1000A-TRBPDW	4	86	91	91	2490
1800 L 1000A-TRBPDW	5	87	91	91	2515
2400 L 1000A-TRBPDW	5	87	91	91	2575
3000 L 1000A-TRBPDW	5	87	91	91	2590
3600 L 1000A-TRBPDW	8	94	91	91	2610
4500 L 1000A-TRBPDW	8	96	91	91	2635
5400 L 1000A-TRBPDW	9	96	91	91	2705
7200 L 1000A-TRBPDW	14	97	91	92	2865



Refer to PV 8601, PV 8602 and PV 8603 for information on heat exchanger recoveries, pressure drop and boiler water flow requirements with various entering boiler water temperatures and domestic water temperatures.

Refer to PV 8600 for standard and optional equipment.

① Optional boiler water valve adds 2 amps

Recommended service clearance is 18 inches on all sides.

Includes horizontal shipping skid for storage tank (not shown).

Completed piping assembly is factory fit between the exchanger and tank and separated at unions (or flanges) for shipping. Tank and heat exchanger ship separately for field assembly to piping assembly.

PVI reserves the right to change the design and specification without notice.



PVI Industries, LLC
Fort Worth, TX • (800) 784-8326 • www.pvi.com

