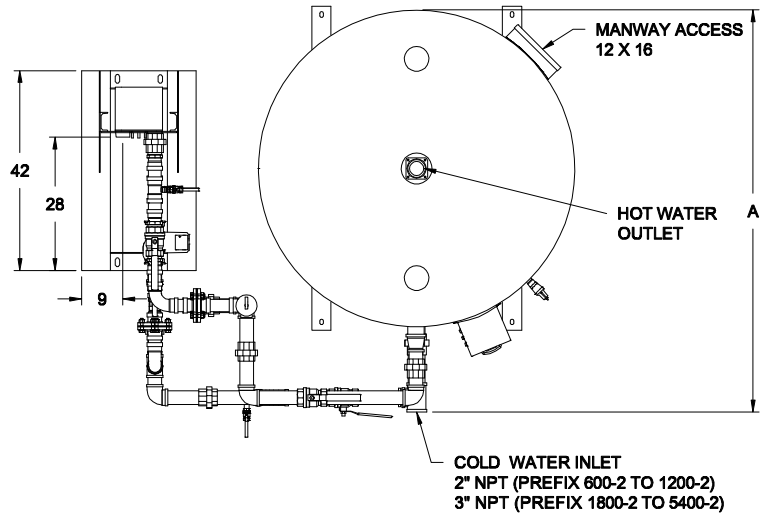


**AquaPLEX® Storage Tank (unlined duplex alloy)  
with EZ PLATE® Dual Boiler Water Heat Exchanger - Double-wall  
750 Gallon Tank Series - Dimensions**

Model No.	Amps @120V ①	A	Shipping Weight Lbs.
600-2 L 750A-TRBPDW	5	87	2155
900-2 L 750A-TRBPDW	5	87	2215
1200-2 L 750A-TRBPDW	5	87	2245
1800-2 L 750A-TRBPDW	7	87	2360
2400-2 L 750A-TRBPDW	7	87	2450
3000-2 L 750A-TRBPDW	7	87	2435
3600-2 L 750A-TRBPDW	11	84	2600
4500-2 L 750A-TRBPDW	11	84	2645
5400-2 L 750A-TRBPDW	13	88	2780

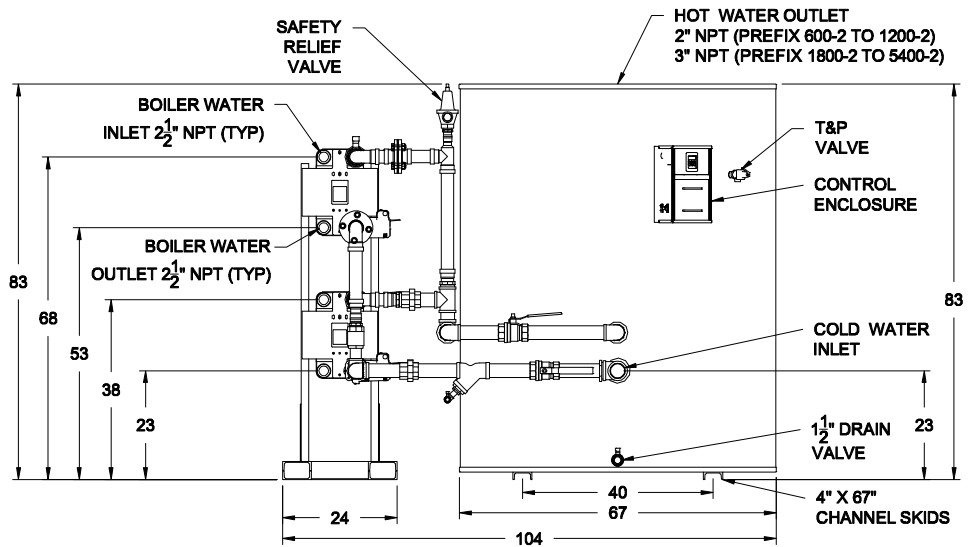


Refer to PV 8601, PV 8602 and PV 8603 for information on heat exchanger recoveries, pressure drop and boiler water flow requirements with various entering boiler water temperatures and domestic water temperatures.

Refer to PV 8600 for standard and optional equipment.

① Optional boiler water valve adds 2 amps total

Recommended service clearance is 18 inches on all sides.



Completed piping assembly is factory fit between the exchanger and tank and separated at unions (or flanges) for shipping. Tank and heat exchanger ship separately for field assembly to piping assembly.

**PVI reserves the right to change the design and specification without notice.**