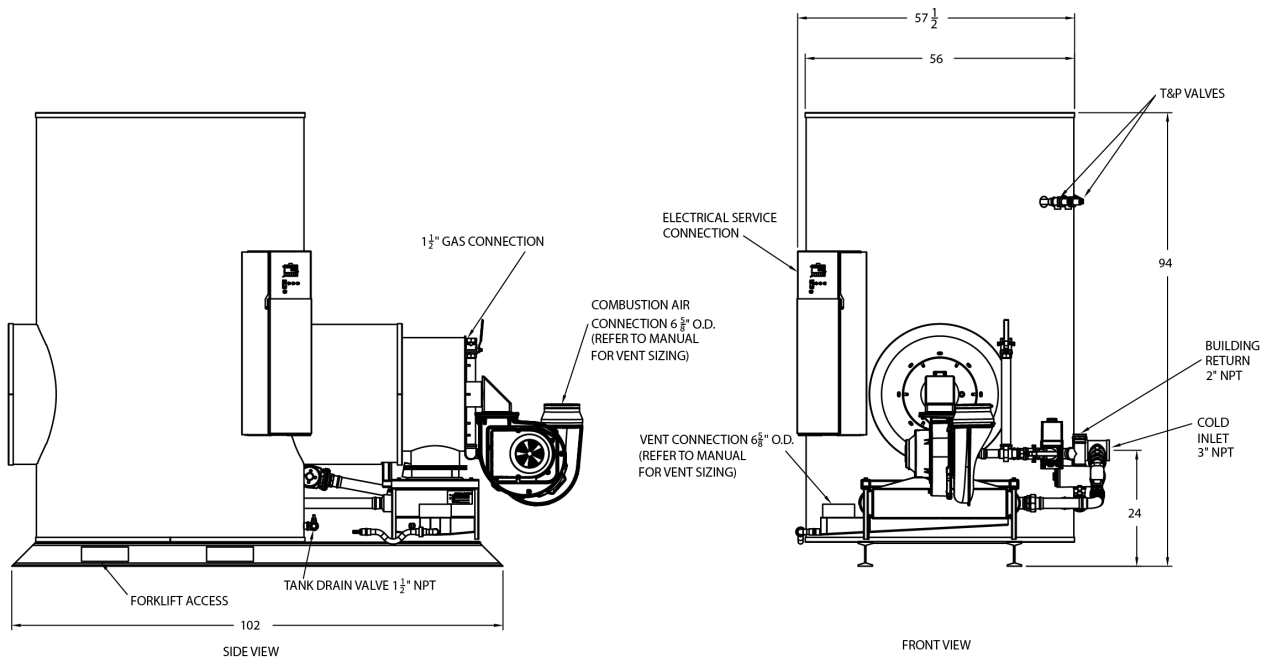
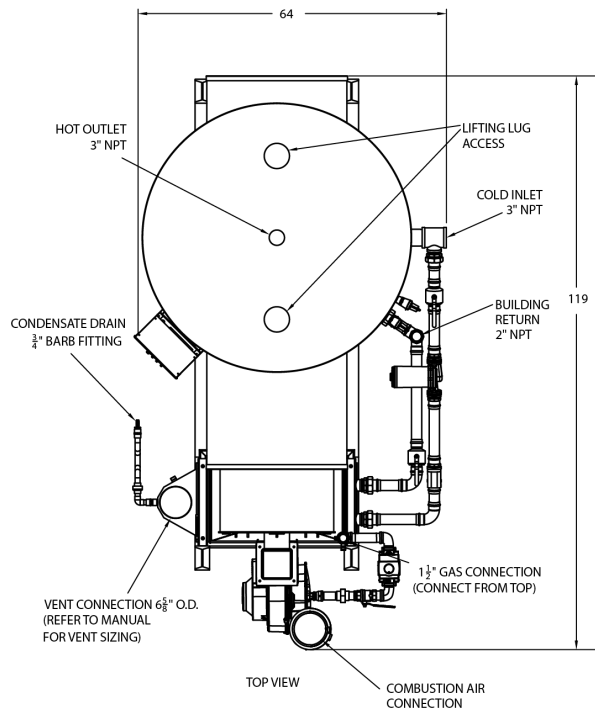


# TURBOPOWER® 96 CONDENSING GAS WATER HEATERS

## AquaPLEX® Storage Tank (duplex stainless steel)

| <b>Model No. 130 L 600A-TPX</b>      |                              |
|--------------------------------------|------------------------------|
| Btu Input                            | 1,300,000                    |
| Recovery GPH 70°F to 140°F ①         | 2148 (96% E <sub>T</sub> )   |
| Recovery GPH 40°F to 140°F           | 1527 (97.5% E <sub>T</sub> ) |
| Storage Capacity - gallons           | 600                          |
| Gas Pressure Maximum Static          | 14" W.C.                     |
| Gas Pressure Minimum Flow            | 3.5" W.C.                    |
| Amperage (120VAC, 60Hz.)             | 15                           |
| Max. Inlet Air Duct Length @ 6" dia. | 100 ft. with four 90° ells   |
| Max. Vent Length @ 6" dia. ②         | 100 ft. with four 90° ells   |
| Shipping Weight lbs.                 | 2780                         |

- ① Per DOE, 10 CFR 431 (ANSI Z21.10.3 @ 70°F to 140°F)
  - ② Listed for category IV venting through PVC, CPVC, polypropylene, or single-wall stainless steel vent. Refer to manual for design requirements. Longer vents available with larger diameter.
- Dimensions are in inches unless otherwise noted.  
For standard and optional equipment, refer to form PV 8820.



Recommended Service Clearance: 18" from all sides, 12" from the top. Consult factory for heat exchanger pull space requirements.  
Minimum Clearances: 6" from all sides and top, 24" from the front.

