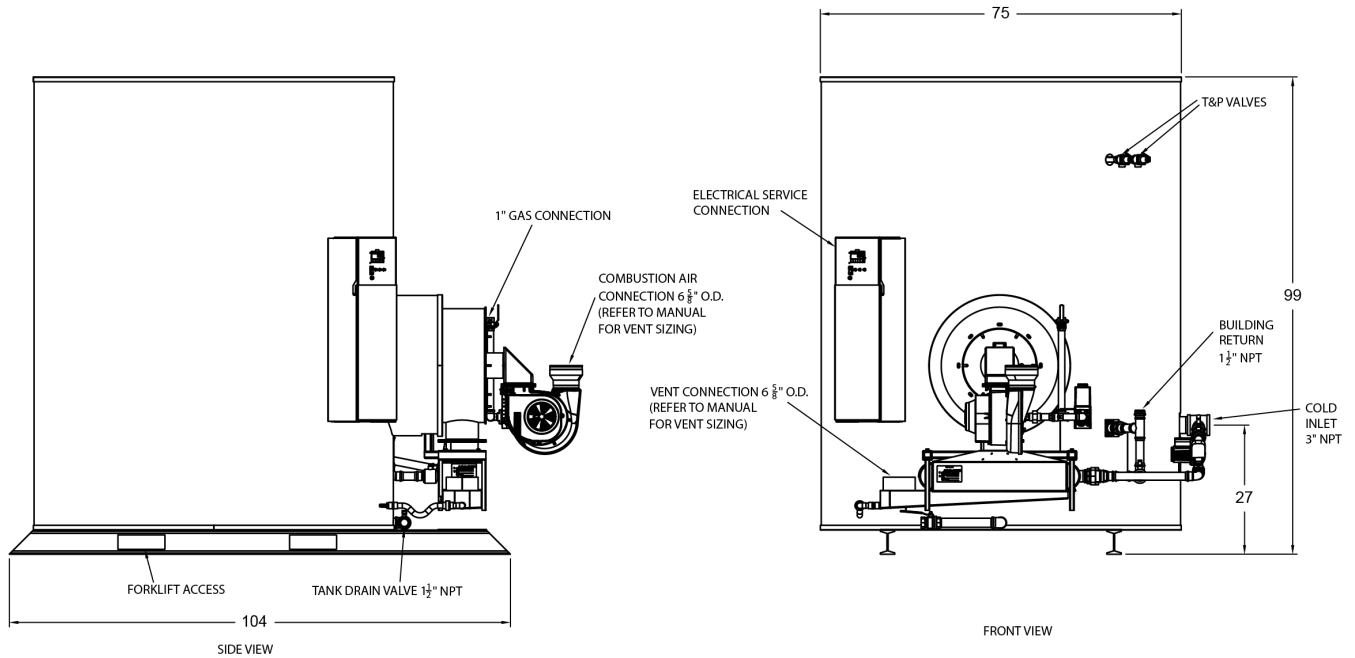
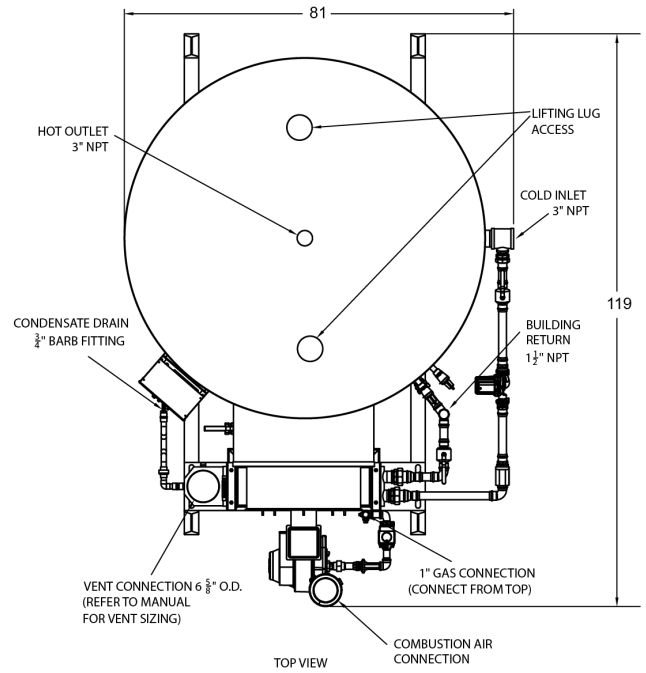


TURBOPOWER® 96 CONDENSING GAS WATER HEATERS

AquaPLEX® Storage Tank (duplex stainless steel)

| Model No. 75 L 1250A-TPX | |
|---------------------------------|-----------------------------|
| Btu Input | 750,000 |
| Recovery GPH 70°F to 140°F ① | 1239 (96% E _T) |
| Recovery GPH 40°F to 140°F | 881 (97.5% E _T) |
| Storage Capacity - gallons | 1280 |
| Gas Pressure Maximum Static | 14" W.C. |
| Gas Pressure Minimum Flow | 3.5" W.C. |
| Amperage (120VAC, 60Hz.) | 11 |
| Inlet Air Duct Length @ 6" dia. | 100 ft. with four 90° els |
| Vent Length @ 6" dia. ② | 100 ft. with four 90° els |
| Shipping Weight lbs. | 3910 |

- ① Per DOE, 10 CFR 431 (ANSI Z21.10.3 @ 70°F to 140°F)
- ② Listed for category IV venting through PVC, CPVC, polypropylene, or single-wall stainless steel vent. Refer to manual for design requirements. Longer vents available with larger diameter.
- Dimensions are in inches unless otherwise noted. For standard and optional equipment, refer to form PV 8820.



Recommended Service Clearance: 18" from all sides, 12" from the top. Consult factory for heat exchanger pull space requirements.
 Minimum Clearances: 6" from all sides and top, 24" from the front.



PVI Industries, LLC
 Fort Worth, TX 76111
www.PVI.com