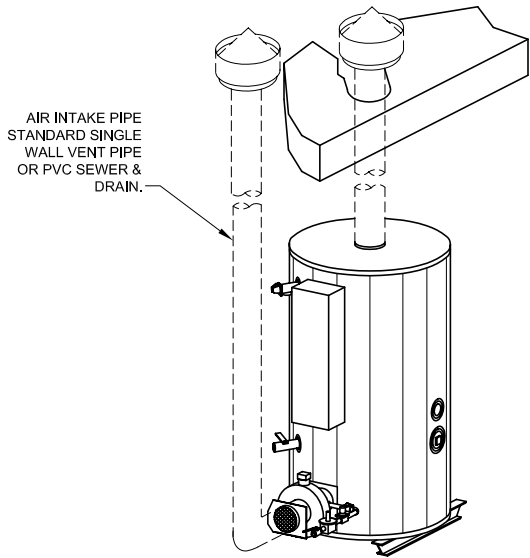




MAXIM WATER HEATERS AIR INTAKE ASSEMBLY

MAXIM® MODEL NO. PREFIX		A FLANGE O.D.	B
14 - 40	AXIAL-FLO	5 15/16"	7"
54	AXIAL-FLO	5 15/16"	10"
72 - 80	BG400	6"	-
100 - 140	BG400	6"	-

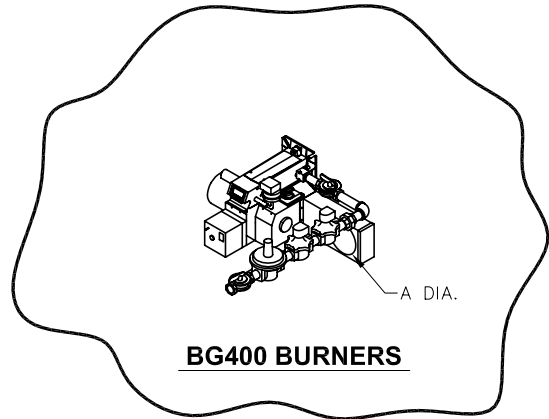
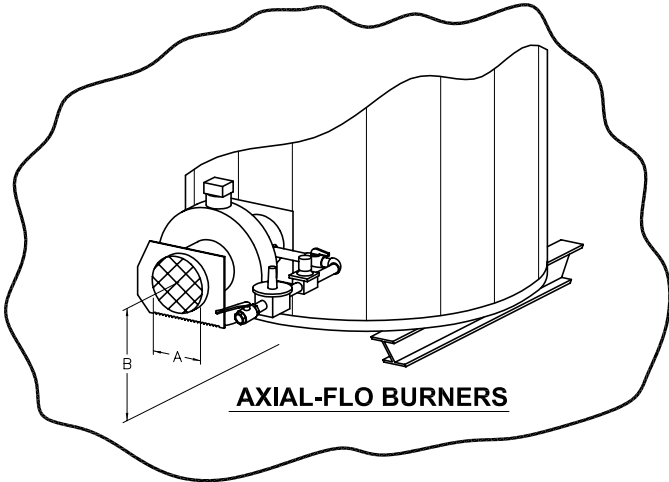


THROUGH THE WALL
VENTING APPLICATIONS
REQUIRE A POWER VENTER.
CONTACT A REPUTABLE
POWER VENTER COMPANY
FOR APPLICATION SIZING.

TO PREVENT RECIRCULATION
INTO THE AIR INTAKE REFER
TO THE NATIONAL GAS CODE
FOR MINIMUM CLEARANCE.
USE SOUND ENGINEERING
JUDGMENT CONSIDERING
PREVAILING WINDS,
OBSTRUCTIONS AND THE TYPE
VENT TERMINATION USED, ETC.

DO NOT
TERMINATE IN
CONTAMINATED
ATMOSPHERE.

OUTSIDE COMBUSTION AIR
DUCTING MUST BE
TERMINATED WITH
OPTIONAL PVI VENT CAP.



- MAXIMUM LENGTH OF INTAKE DUCTING IS 100 EQUIVALENT FEET. (DEDUCT 10 EQUIVALENT FEET FOR EACH ELBOW.) CONSULT INSTALLATION & MAINTENANCE MANUAL OR FACTORY FOR OTHER RESTRICTIONS.
- CONSULT YOUR VENT SUPPLIER FOR SPECIFIC VENT CONSTRUCTION DETAILS.
- PVI RESERVES THE RIGHT TO CHANGE THE DESIGN AND SPECIFICATION WITHOUT NOTICE.

PV9628 05/03/04

PVI INDUSTRIES, LLC
P.O. BOX 7124
FORT WORTH, TEXAS 76111
TOLL FREE 1-800-433-5654

