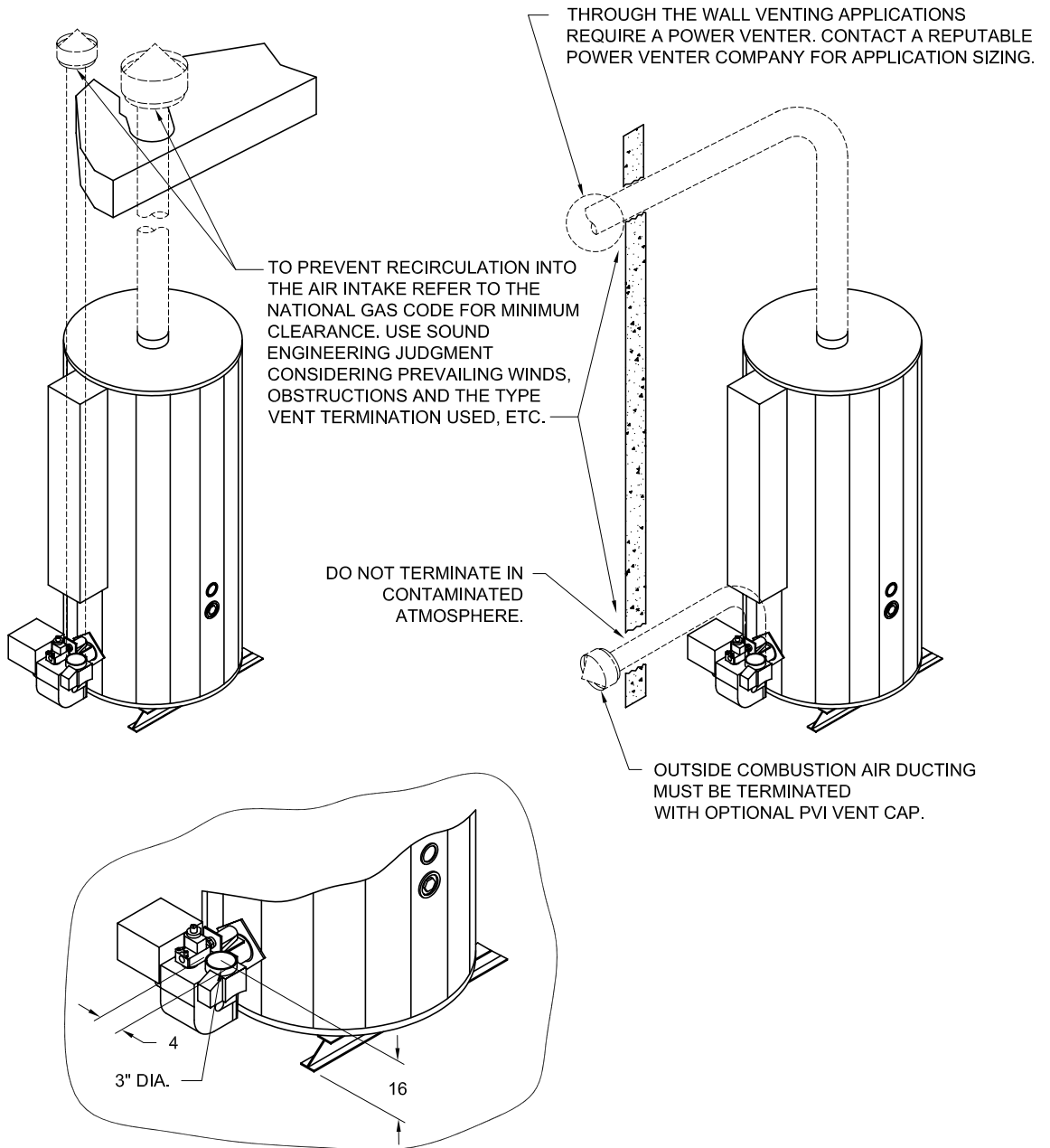




**LOW NO_x MAXIM WATER HEATERS
199,000 TO 399,000 Btu/h
AIR INTAKE ASSEMBLY**



- MAXIMUM LENGTH OF INTAKE DUCTING IS 100 EQUIVALENT FEET OF 4" DIA. DUCT (USE ADAPTER).
- CONSULT INSTALLATION & MAINTENANCE MANUAL OR FACTORY FOR EQUIVALENT LENGTH OF ELBOWS & OTHER RESTRICTIONS.
- CONSULT YOUR VENT SUPPLIER FOR SPECIFIC VENT CONSTRUCTION DETAILS.
- PVI RESERVES THE RIGHT TO CHANGE THE DESIGN AND SPECIFICATION WITHOUT NOTICE.

PV9628A 05/03/04

**PVI INDUSTRIES, LLC
P.O. BOX 7124
FORT WORTH, TEXAS 76111
TOLL FREE 1-800-433-5654**

