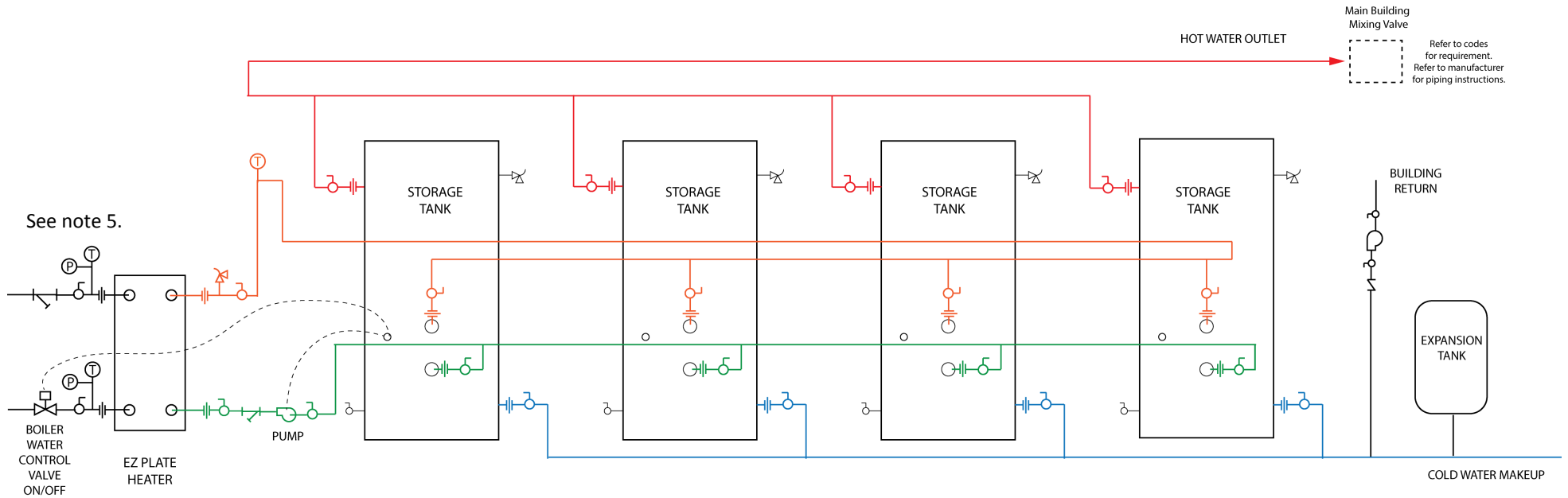


## PIPING GUIDELINE: SINGLE EZ PLATE® WITH MULTIPLE STORAGE TANKS

**Notes:**

1. Piping between EZ Plate and storage tanks must be reverse-return and sized for the maximum anticipated flow at no more than 6 feet per second.
2. Cold inlet and hot outlet piping to tanks must be reverse-return and sized for the maximum anticipated flow at no more than 6 feet per second.
3. Pump is energized by tank thermostat
4. Boiler water control valve is optional and is energized by tank thermostat. Boiler water can flow continuously through the heat exchanger if desired.
5. Boiler water piping, components and controls are available as options from PVI for field installation.



Maximum Flow Through Type L Copper at Velocity of 6 feet/sec.	
Pipe Diameter	GPM
1-1/2"	32
2"	60
2-1/2"	90
3"	125
4"	230