

# DURAWATT® ELECTRIC • PACKAGED WATER HEATER

## AquaPLEX® - STORAGE TANK (UNLINED DUPLEX ALLOY)

### TANK SERIES 119 GALLONS

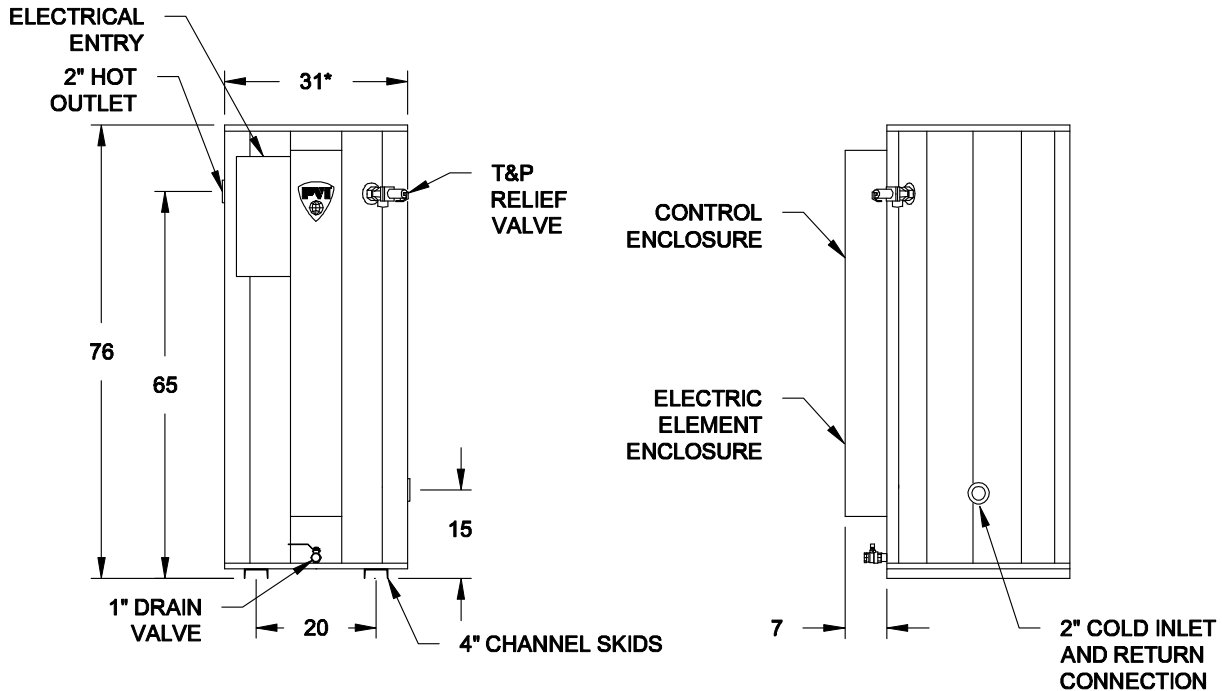
MODEL NUMBER	RECOVERY RATE GPH		INPUT kW	ELEMENT AMPS				SHIPPING WEIGHT lbs
	40°-120°F	40°-140°F		240V, 1Ø	208V, 3Ø	240V, 3Ø	480V, 3Ø	
90 L 119A-VE	90	70	18	75	50	44	22	800
140 L 119A-VE	140	111	27	113	75	65	33	800
180 L 119A-VE	180	150	36	150	100	87	44	800
230 L 119A-VE	230	184	45	188	125	109	55	810
270 L 119A-VE	270	220	54	225	150	130	65	810
320 L 119A-VE	320	256	63	263	175	152	76	810
370 L 119A-VE	370	300	72	300	200	174	87	810
410 L 119A-VE	410	330	81	338	225	195	98	820
460 L 119A-VE	460	370	90	375	250	217	109	820
510 L 119A-VE	510	400	99	413	275	239	120	840
550 L 119A-VE	550	440	108	450	300	260	130	840
650 L 119A-VE	650	515	126	Consult factory		304	152	850
740 L 119A-VE	740	590	144			347	174	870
830 L 119A-VE	830	664	162			390	195	880
920 L 119A-VE	920	737	180			433	217	890
1010 L 119A-VE	1010	811	198			476	238	900
1100 L 119A-VE	1100	885	216			520	260	910
1200 L 119A-VE	1200	958	235			563	281	920

For standard and optional equipment, see form #PV 8130.

Dimensions in inches, unless otherwise noted.

Contact PVI representative for higher inputs.

\* Optional proportional sequencer (PRSEQ) adds 2 inches to the left side of the heater.



**STANDARD ELECTRICAL REQUIREMENTS:**

CONTROL CIRCUIT TRANSFORMER SUPPLIED ON 480V ONLY. TAPPED CONTROL CIRCUIT INTERNALLY WIRED FOR 208V AND 240V.  
 208V AND 240V MODELS REQUIRE AC NEUTRAL CONDUCTOR FOR GROUNDING OF CONTROL CIRCUIT.  
**ALTERNATE VOLTAGES:** FOR 230/460V, MULTIPLY kW AND RECOVERY BY .92. MULTIPLY AMPS BY .96.  
 FOR 220/440V, MULTIPLY kW AND RECOVERY BY .84. MULTIPLY AMPS BY .92.

