



ENGINEERED WATER HEATING SOLUTIONS

**REPLACEMENT PARTS LIST**  
**CONQUEST® CONDENSING GAS WATER HEATERS**  
**with TempTrac Electronic Controller**  
 199 to 300 MBH

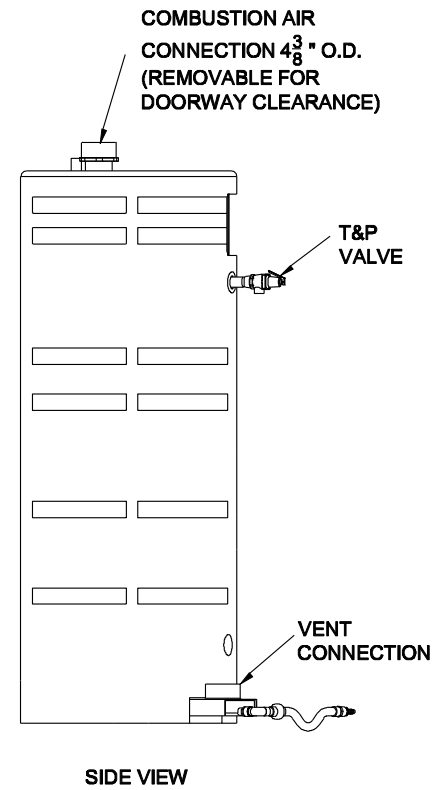
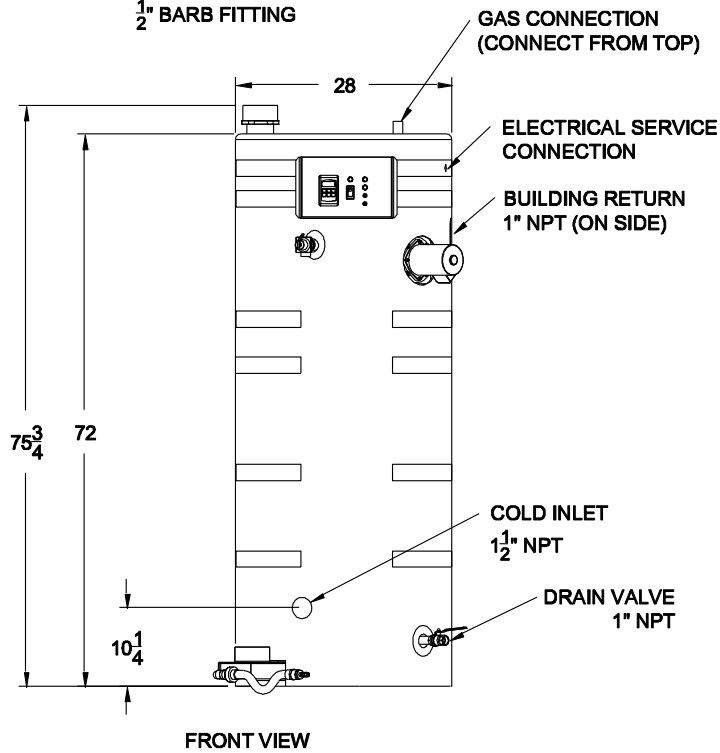
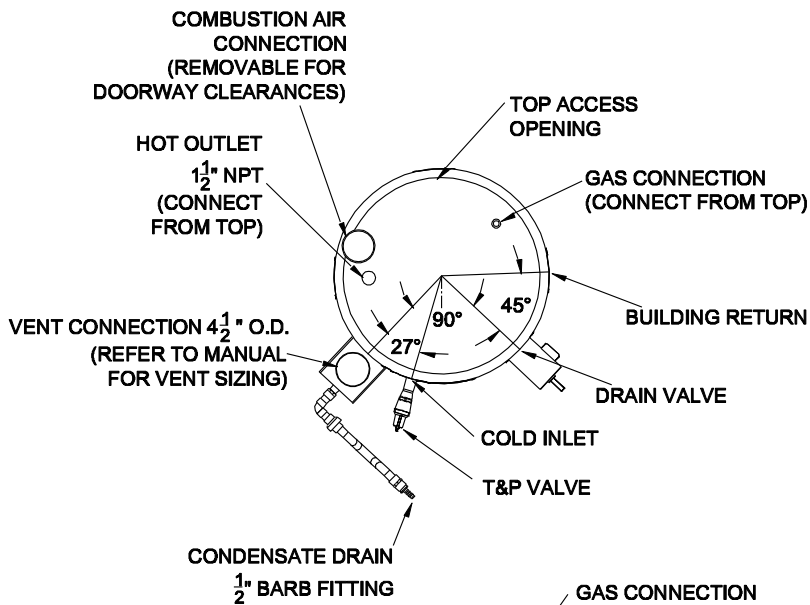
(Please Have Model and Serial Number When Ordering Parts)



<b>Contents</b>	<b>Page</b>
Typical Conquest 100 Gallon Construction .....	2
Blower and Burner Assembly .....	3
Control Panel Components .....	4
Drain Valve – T & P Relief Valve – Integral Circulating Pump Assembly .....	5
Condensate Drain Trap & Optional Condensate Neutralizer .....	5
Gas Train Assembly .....	6

PVI INDUSTRIES, LLC- 3209 Galvez Avenue - Fort Worth, Texas 76111 - [www.pvi.com](http://www.pvi.com) - 1-800-433-5654

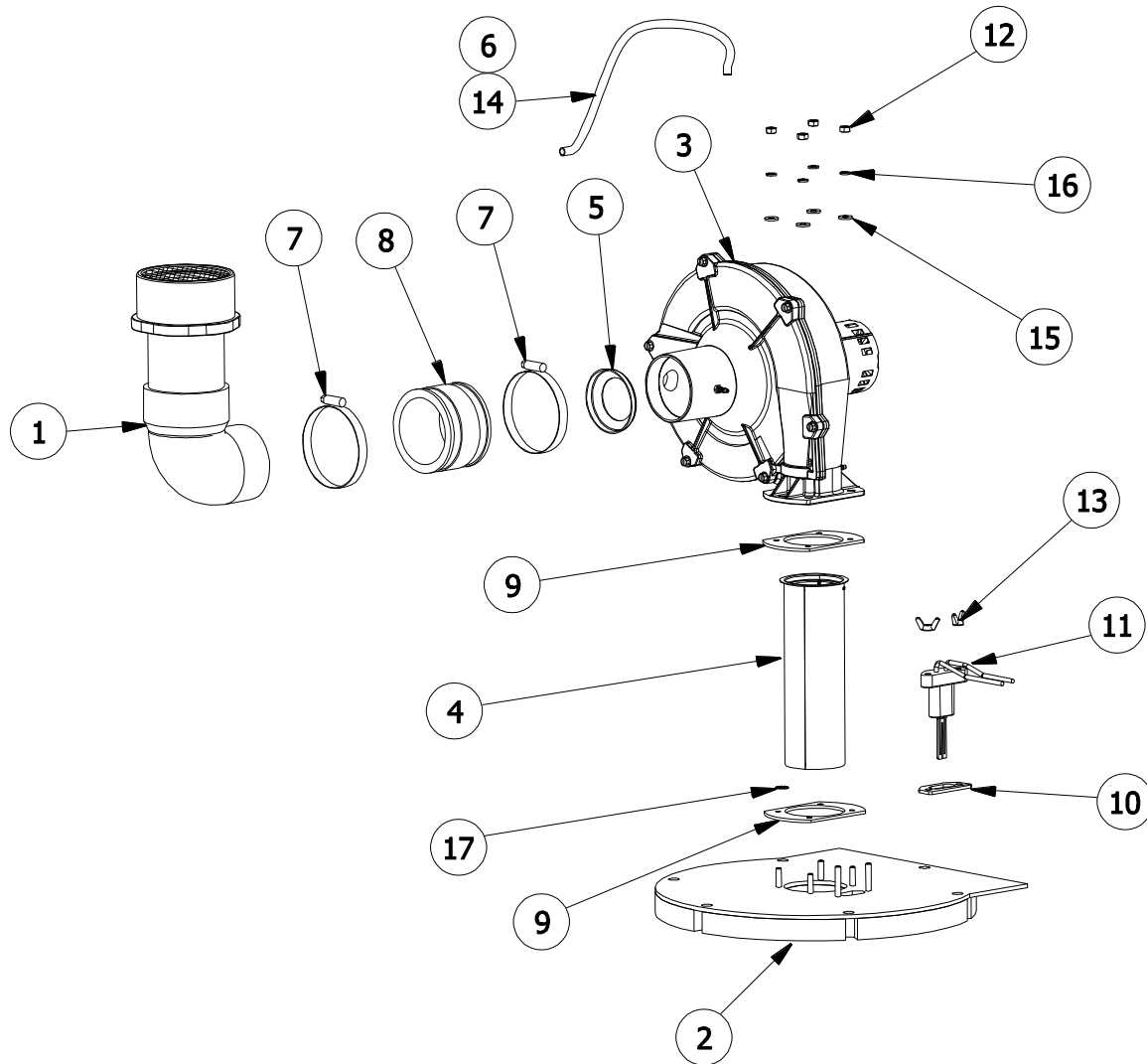
TYPICAL CONQUEST 100 GALLON CONSTRUCTION



MODEL 20 L 100A-GCL  
 MODEL 25 L 100A-GCL  
 MODEL 30 L 100A-GCL

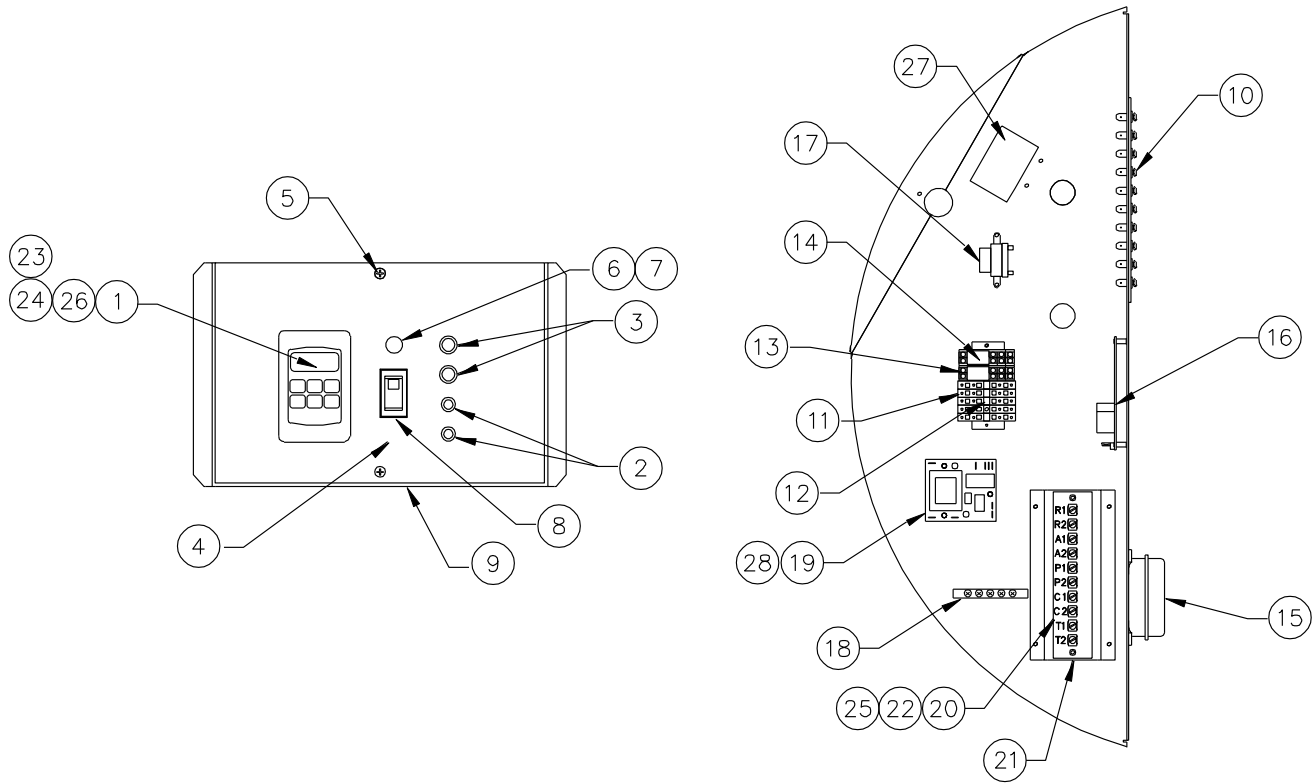
### BLOWER & BURNER ASSEMBLY - MODELS (20, 25, 30) L 100A-GCL

(Optional components may not be shown)



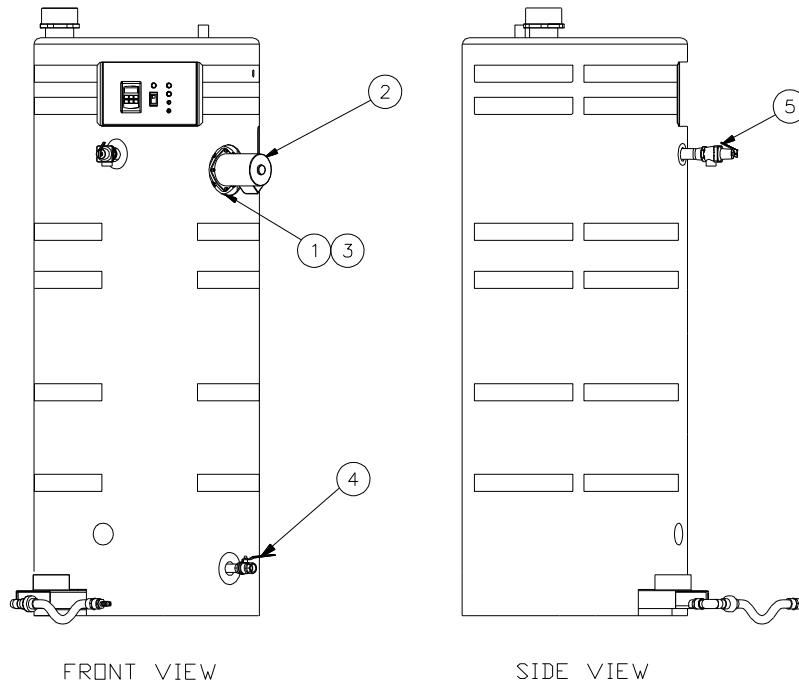
ITEM	DESCRIPTION	20 L 100A-GCL	25 L 100A-GCL	30 L 100A-GCL
1	ASSY, AIR INTAKE ( Includes Brass ELL Hose Barb)	<a href="#">124161</a>	<a href="#">124161</a>	<a href="#">124161</a>
2	ASSY, BULKHEAD AGC W/INSULATION	128538	128538	128538
3	BLOWER, FASCO #7062-6047 1/2 HP 120V 60HZ 3500 RPM CLASS	<a href="#">119467</a>	<a href="#">119467</a>	<a href="#">119467</a>
4	BURNER, WORGAS #PRX0114 70 X 217 MM	115277	115277	115277
5	CAP, ORIFICE 3 X 1 3/4 ID AGC	-	-	128984
5	CAP, ORIFICE 3 X 1 3/8 ID AGC	128983	128983	-
6	CLAMP, HOSE 1/4 NYLON	<a href="#">120333</a>	<a href="#">120333</a>	<a href="#">120333</a>
7	CLAMP, HOSE STAINLESS 3 9/16 X 4 1/2 OD	<a href="#">124710</a>	<a href="#">124710</a>	<a href="#">124710</a>
8	ADAPTER,AIR INTAKE 3 1/2 ID X 2 1/2	<a href="#">124894</a>	<a href="#">124894</a>	<a href="#">124894</a>
9	GASKET, FLANGE BLOWER/BURNER 1/8 232 CRANEGLAS 2.75 ID	<a href="#">120493</a>	<a href="#">120493</a>	<a href="#">120493</a>
10	GASKET, IGNITOR 1/8 232 CRANEGLAS Y271	<a href="#">111791</a>	<a href="#">111791</a>	<a href="#">111791</a>
11	IGNITER, HOT SURFACE NORTON #271Y MB478844 INDIVIDUAL PACKAGE	<a href="#">107775</a>	<a href="#">107775</a>	<a href="#">107775</a>
12	NUT, HEX 1/4 X 20 NC STEEL ZINC PLT	3475	3475	3475
13	NUT, WING 1/4 X 20 NC STEEL ZINC PLT	79972	79972	79972
14	KIT, SILICONE TUBING AGC 3/16 ID X 5/16 OD X .0625 WALL X 2 FT	128323	128323	128323
15	WASHER, FLAT 1/4 PLT	15607	15607	15607
16	WASHER, LOCK 1/4 PLT	3494	3494	3494
17	WASHER, STAR 1/4 SHAKEPROOF	38607	38607	38607

**CONTROL PANEL COMPONENTS - MODELS (20, 25, 30) L 100A-GCL**



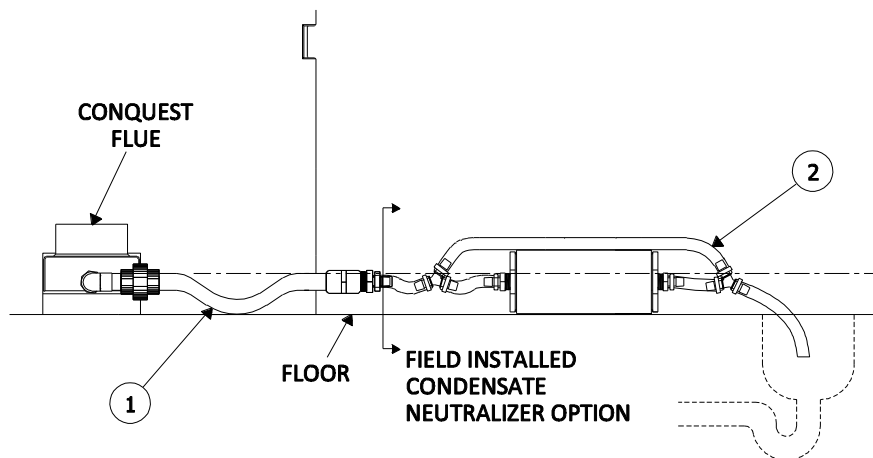
ITEM	DESCRIPTION	20 L 100A-GCL	25 L 100A-GCL	30 L 100A-GCL
1	KIT, TEMPERATURE CONTROL PRG TEMPTRAC AGC WH 20-40 PREFIX REV13 A	122644	122644	122644
2	SWITCH, SPST N.C. MOMENTARY CONTACT SELECTA #SS229	<a href="#">70573</a>	<a href="#">70573</a>	<a href="#">70573</a>
3	LIGHT, INDICATOR AMBER CML #1030QD3 120V	<a href="#">122342</a>	<a href="#">122342</a>	<a href="#">122342</a>
4	DECAL PACKAGE	124163	124163	124163
5	SCREW 10-24 X 1/2	125249	125249	125249
6	FUSEHOLDER, PANEL TYPE #HTB-28I	<a href="#">5613</a>	<a href="#">5613</a>	<a href="#">5613</a>
7	FUSE, MDA 10 AMP BUSS 250V	<a href="#">76267</a>	<a href="#">76267</a>	<a href="#">76267</a>
8	SWITCH, CARLING #LTILA51-6S-BL-AM-NBL-125N/INDP BLACK AMBER LIGHT	<a href="#">70565</a>	<a href="#">70565</a>	<a href="#">70565</a>
9	PLATE, FACE AGC	121250	121250	121250
10	BOARD, TERMINAL ELEC-TRON #PV13080 20 POLE FEED COMPONENT CONNECT	<a href="#">122346</a>	<a href="#">122346</a>	<a href="#">122346</a>
11	BLOCK, TERMINAL WAGO #280-833 600V 20A DIN	<a href="#">122319</a>	<a href="#">122319</a>	<a href="#">122319</a>
12	JUMPER, TERMINAL BLOCK WAGO #280-402 23A	<a href="#">122320</a>	<a href="#">122320</a>	<a href="#">122320</a>
13	SOCKET, RELAY SCHNEIDER #RSZE1S48M 10A 250V	<a href="#">122317</a>	<a href="#">122317</a>	<a href="#">122317</a>
14	RELAY, DPDT 8A 120V SCHRACK #RT425615	<a href="#">124344</a>	<a href="#">124344</a>	<a href="#">124344</a>
15	SWITCH, AIR PROVING CLEVELAND CONTROLS #NS2-1166-01 0.50 WC	<a href="#">121444</a>	<a href="#">121444</a>	<a href="#">121444</a>
16	CONTROL, HOT SURFACE IGNITION FENWAL #35-755455-111 120V TRIPLE	<a href="#">120294</a>	<a href="#">120294</a>	<a href="#">120294</a>
17	TRANSFORMER, STEP DOWN TRIAD #F3-24 115VAC 24VCT 2.4VA	<a href="#">122318</a>	<a href="#">122318</a>	<a href="#">122318</a>
18	BAR, GROUND SQUARE D #PK5GTA 5 POLE	<a href="#">122321</a>	<a href="#">122321</a>	<a href="#">122321</a>
19	LWCO, PROTODESIGN #LW-3-C-1-A-03 120V	<a href="#">129013</a>	<a href="#">129013</a>	<a href="#">129013</a>
20	BOARD, TERMINAL ELEC-TRON #PV13140 10 POLE FEED THRU TYPE	<a href="#">122595</a>	<a href="#">122595</a>	<a href="#">122595</a>
21	BRACKET, TERMINAL STRIP MTG 3 X 6 FOR P/N 102011	<a href="#">121749</a>	<a href="#">121749</a>	<a href="#">121749</a>
22	JUMPER, ELEC-TRON #ESJ-145	<a href="#">102467</a>	<a href="#">102467</a>	<a href="#">102467</a>
23	KIT,TEMPTRAC TOP TANK THERMISTOR SENSOR	129348	129348	129348
24	KIT,TEMPTRAC MID TANK THERMISTOR SENSOR	129349	129349	129349
25	JUMPER, ELEC-TRON #ESJ-154	<a href="#">122746</a>	<a href="#">122746</a>	<a href="#">122746</a>
26	KIT,TEMPTRAC FLUE OUTLET THERMISTOR SENSOR	129350	129350	129350
27	KIT, THERMOSTAT JUMO #60/60002382 200 DEG MANUAL 3.3 FT CAP	128324	128324	128324
28	PROBE, LWCO WARRICK 33L1D002.75 W/1/8 MPT 316SST	58154	58154	58154

### DRAIN VALVE – T & P RELIEF VALVE – INTEGRAL CIRCULATING PUMP ASSY



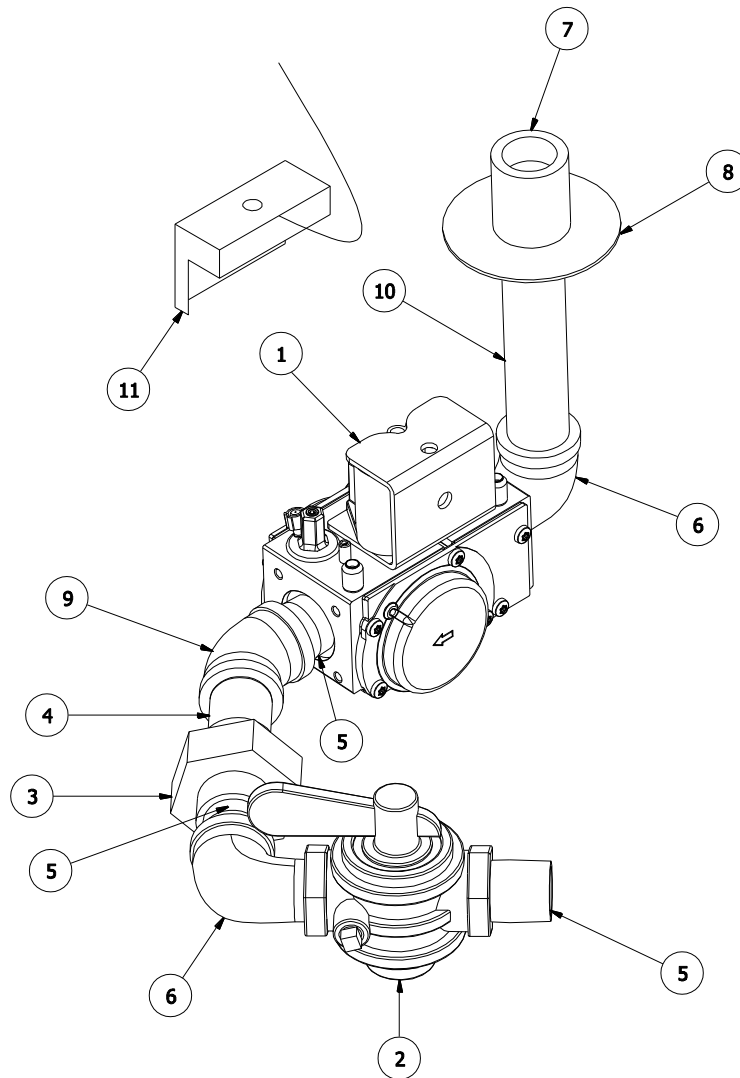
ITEM	DESCRIPTION	20 L 100A-GCL	25 L 100A-GCL	30 L 100A-GCL
1	FLANGE, MTG BRONZE INTEGRAL PUMP PL 2 SIDE RAD SB584	119301	119301	119301
2	MOTOR, PUMP B & G #1BL113 MODEL #PL-75 115 VAC W/IMPELLER	<a href="#">120090</a>	<a href="#">120090</a>	<a href="#">120090</a>
3	O-RING, GASKET 4.25 OD X 3.50 ID X .375 CS EPDM 80 DUROMETER	<a href="#">122423</a>	<a href="#">122423</a>	<a href="#">122423</a>
4	VALVE, BALL 3/4 JOMAR #100-654G BRASS THREADED X HOSE	<a href="#">124557</a>	<a href="#">124557</a>	<a href="#">124557</a>
5	VALVE, T & P RELIEF 1 WATTS #140X-6 150 PSI 670 M 3085	<a href="#">709</a>	<a href="#">709</a>	<a href="#">709</a>

### CONDENSATE DRAIN TRAP & OPTIONAL CONDENSATE NEUTRALIZER



ITEM	DESCRIPTION	20 L 100A-GCL	25 L 100A-GCL	30 L 100A-GCL
1	ASSY, COND DRAIN AGC 100 GAL 3/4 PVC	129229	129229	129229
2	ASSY, CONDENSATE DRAIN NEUTRALIZATION 1/2	<a href="#">121778</a>	<a href="#">121778</a>	<a href="#">121778</a>

## GAS TRAIN ASSEMBLY



ITEM	DESCRIPTION	20 L 100A-GCL	25 L 100A-GCL	30 L 100A-GCL
1	VALVE, GAS 3/4 EBM #55290.04007 TYPE GB-ND 057 D01 S20 XP.	<a href="#">125504</a>	<a href="#">125504</a>	<a href="#">125504</a>
2	VALVE, SHUTOFF 3/4 KEY GAS #216-242111	<a href="#">5336</a>	<a href="#">5336</a>	<a href="#">5336</a>
3	UNION, BLACK 3/4	5928	5928	5928
4	NIPPLE, BLACK 3/4 X 2	5991	5991	5991
5	NIPPLE, BLACK 3/4 X CL	5989	5989	5989
6	ELL, STREET BLACK 90DEG 3/4	6184	6184	6184
7	COUPLING, FULL BLACK 3/4 3000# SA105 FORGED STEEL	5902	5902	5902
8	RETAINER, DISC GAS TRAIN 3 OD X 1 1/8 ID	<a href="#">124895</a>	<a href="#">124895</a>	<a href="#">124895</a>
9	ELL, BLACK 45DEG 3/4	6175	6175	6175
10	NIPPLE, BLACK 3/4 X 6	5995	5995	5995
11	HARNESS, WIRING EBM #00002.44333A 120VAC W/ATTACHMENT SCREW	110697	110697	110697