

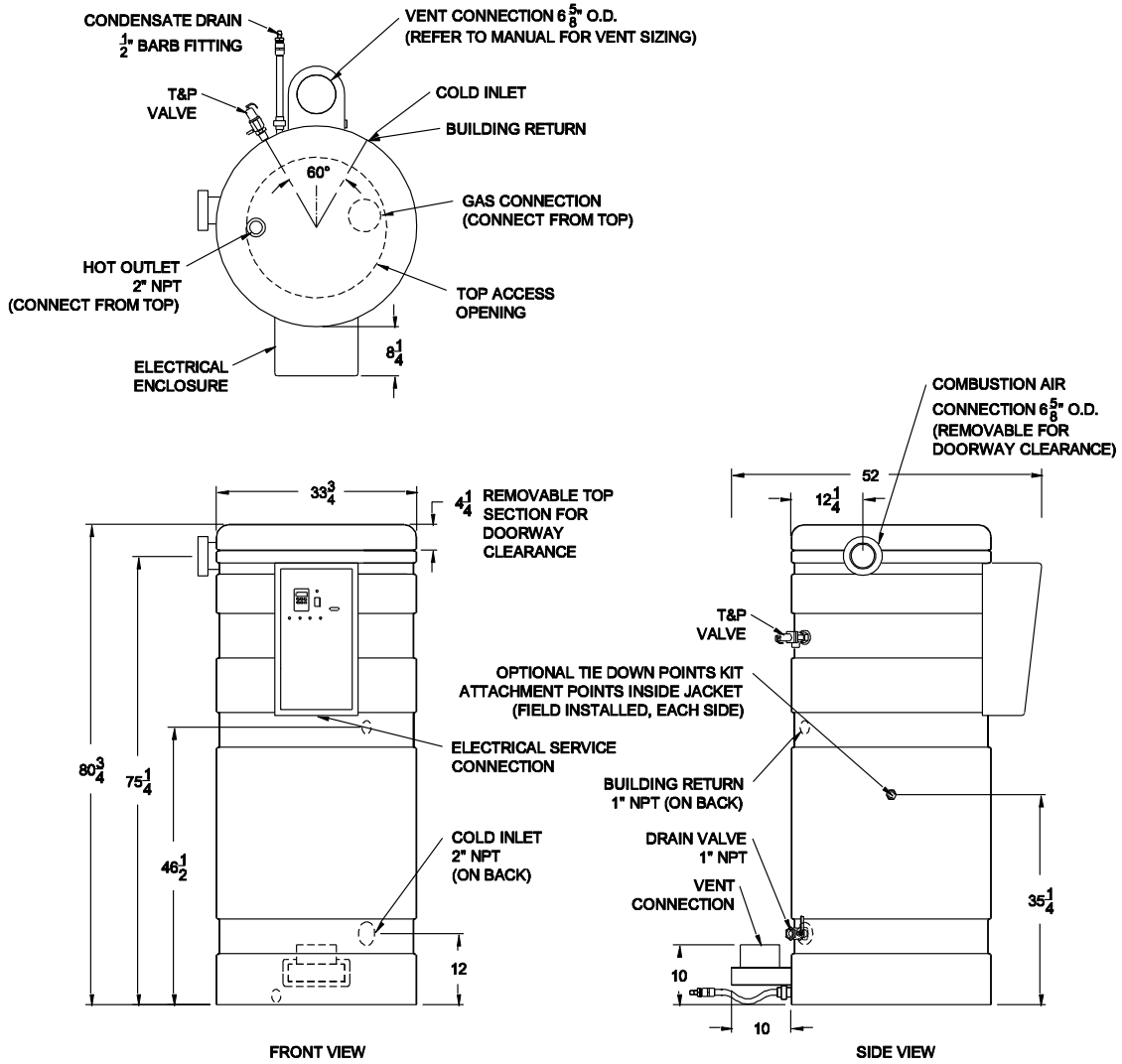
REPLACEMENT PARTS LIST
CONQUEST[®] CONDENSING GAS WATER HEATERS
with TempTrac Electronic Controller
 399 to 800 MBH

(Please Have Model and Serial Number When Ordering Parts)



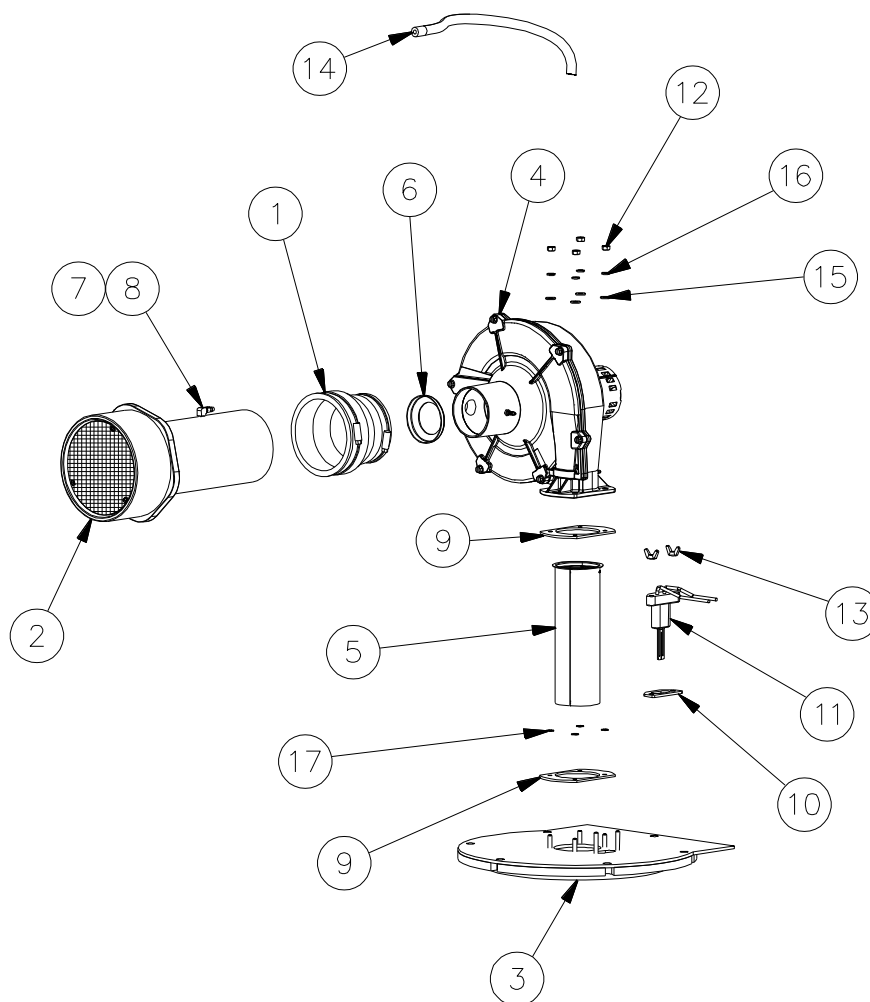
Contents	Page
Typical Conquest 130 Gallon Construction	2
Blower and Burner Assembly	3
Control Panel Components	4
Drain Valve – T & P Relief Valve – Integral Circulating Pump Assembly	5
Condensate Drain Trap & Optional Condensate Neutralizer	5
Gas Train Assembly	6

TYPICAL CONQUEST 130 GALLON CONSTRUCTION



- MODEL 40 L 130A-GCL
- MODEL 50 L 130A-GCML
- MODEL 60 L 130A-GCML
- MODEL 70 L 130A-GCML
- MODEL 80 L 130A-GCML

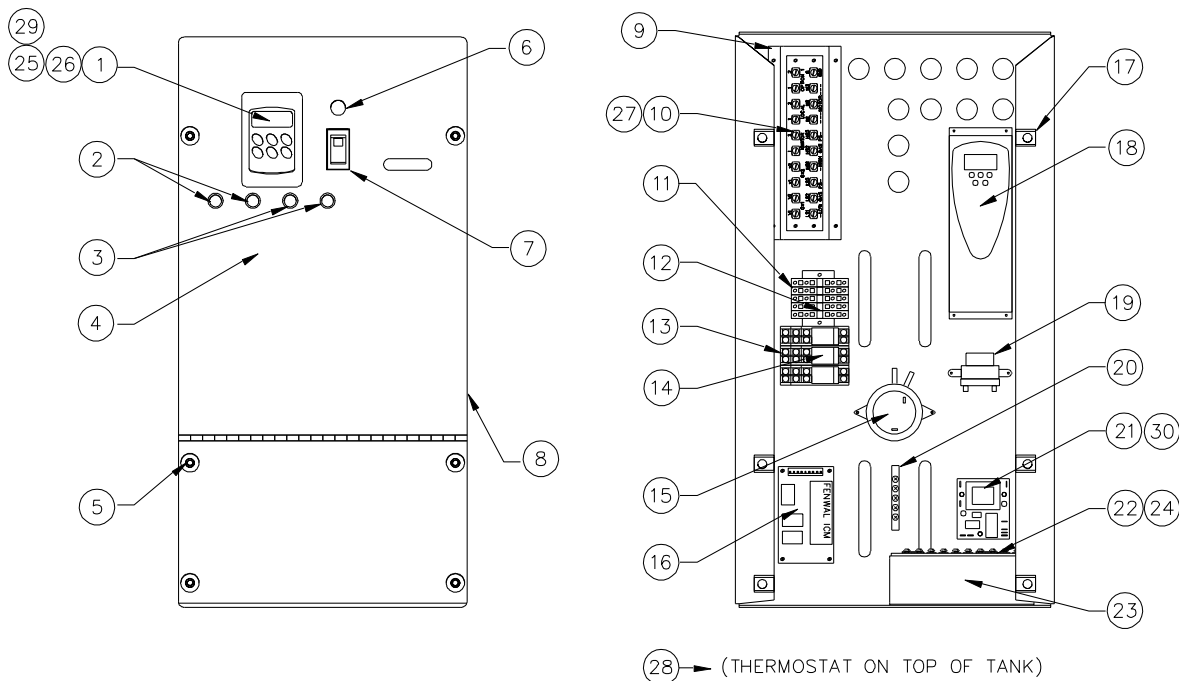
BLOWER & BURNER ASSEMBLY



Models (40, 50, 60, 70, 80) L 130A-GC(M)L

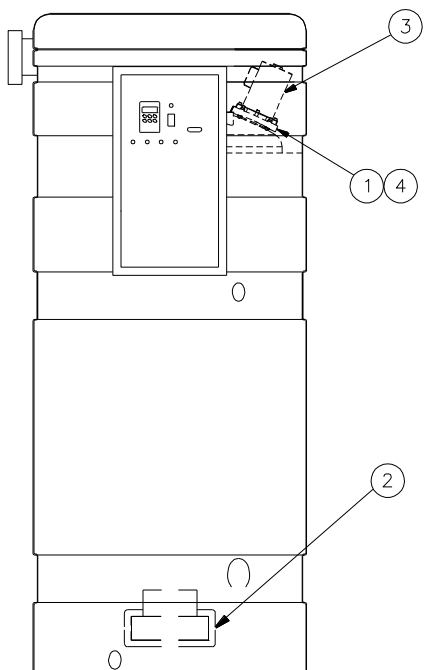
ITEM	DESCRIPTION	40 L	50 L	60 L	70 L	80 L
1	ADAPTER,FLEXIBLE RUBBER 4 X	119469	119469	119469	119469	119469
2	ASSY,AIR INTAKE AGC/ACB WITH SCREEN	121852	121852	121852	121852	121852
3	ASSY,BULKHEAD AGC/ACB W/INSULATION REV13	128538	128538	128538	128538	128538
4	BLOWER, FASCO #70430102 1/2 HP	*	119466	119466	119466	119466
4	BLOWER,FASCO #7062-6047 1/2 HP 120V	119467	*	*	*	*
5	BURNER,WORGAS #PRX0113 70 X 395 MM	115276	115276	115276	115276	115276
6	CAP,ORIFICE 3 X 2 ID AGC/ACB	*	128985	128985	128985	128985
6	CAP,ORIFICE 3 X 1 3/4 ID AGC	128984	*	*	*	*
7	CLAMP,HOSE 1/4 NYLON	120333	120333	120333	120333	120333
8	ELL,BRASS 1/8 NPT X 1/4 HOSE BARB	118016	118016	118016	118016	118016
9	GASKET,FLANGE BLOWER/BURNER 1/8	120493	120493	120493	120493	120493
10	GASKET,IGNITOR 1/8 232 CRANEGLAS Y271	111791	111791	111791	111791	111791
11	IGNITER, HOT SURFACE NORTON #271Y	107775	107775	107775	107775	107775
12	NUT,HEX 1/4 X 20 NC STEEL ZINC PLT	3475	3475	3475	3475	3475
13	NUT,WING 1/4 X 20 NC STEEL ZINC PLT	79972	79972	79972	79972	79972
14	KIT,SILICONE TUBING AGC 3/16 ID X 5/16 OD X 2 FT	128323	128323	128323	128323	128323
15	WASHER,FLAT 1/4 PLT	15607	15607	15607	15607	15607
16	WASHER,LOCK 1/4 PLT	3494	3494	3494	3494	3494
17	WASHER,STAR 1/4 SHAKEPROOF	38607	38607	38607	38607	38607

CONTROL PANEL COMPONENTS

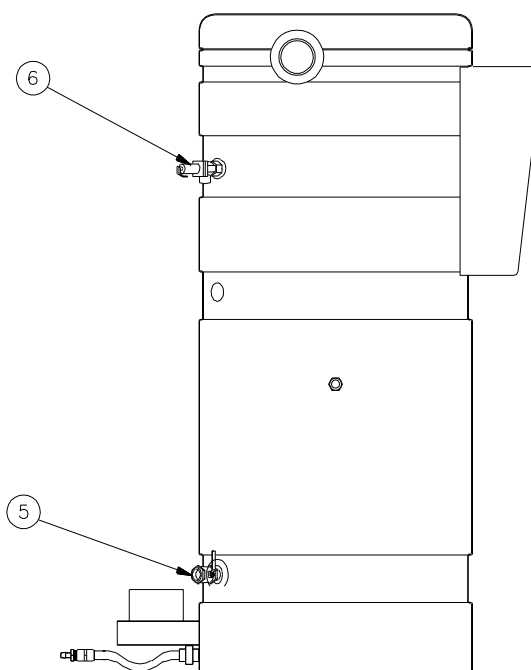


ITEM	DESCRIPTION	40 L	50 L	60 L	70 L	80 L
1	CONTROLLER, TEMPTRAC KIT (PRE-PROGRAMMED)	122644	122645	122646	122647	122647
2	SWITCH, RESET/TEST SELECTA #SS229, N.C.	70573	70573	70573	70573	70573
3	INDICATOR LIGHT SOLICO #3050-3-11-37320, AMBER	122342	122342	122342	122342	122342
4	DECAL, MAIN	121170	121170	121170	121170	121170
5	SCREW, THUMB 1/4-20 X 3/4 HEAD DIA W/3/16 HEX	121323	121323	121323	121323	121323
6	FUSE HOLDER TYPE #HTB-281	5613	5613	5613	5613	5613
	FUSE BUSS MDA-10, 250V	76267	76267	76267	76267	76267
7	SWITCH, ON/OFF CARLING #LTILA51-6S-BL-AM-NBL	70565	70565	70565	70565	70565
8	PLATE, FACE AGC	121250	121250	121250	121250	121250
9	BRACKET, TERMINAL STRIP MTG 3 X 8	121705	121705	121705	121705	121705
10	BOARD, TERMINAL ELEC-TRON #PV13080 20 POLE	122346	122346	122346	122346	122346
11	BLOCK, TERMINAL WAGO #280-833 600V 20A DIN	122319	122319	122319	122319	122319
12	JUMPER, TERMINAL BLOCK WAGO #280-402 23A	122320	122320	122320	122320	122320
13	RELAY SOCKET SCHNEIDER #RSZE1S48N, 10A, 250V	122317	122317	122317	122317	122317
14	RELAY DPDT SCHRACK #RT425615, 8A, 120V	124344	124344	124344	124344	124344
15	SWITCH, AIR PROVING CLEVELAND #NS2-1166-01	121444	121444	121444	121444	121444
16	CONTROL, FLAME FENWAL #35-755455-111	120294	120294	120294	120294	120294
17	NUT, CLIP 1/4-20 J-STYLE #90679A032	121433	121433	121433	121433	121433
18	BLOWER VFD KIT (PRE-PROGRAMMED) EMERSON	*	125234	125233	125231	125230
19	TRANSFORMER, CONTROL CIRCUIT 120 VAC 24 VAC	122318	122318	122318	122318	122318
20	BAR, GROUND SQUARE D #PK5GTA 5 POLE	122321	122321	122321	122321	122321
21	LWCO PROTODESIGN #LW-3-C-1-A-03, 120V	129013	129013	129013	129013	129013
22	BOARD, TERMINAL ELEC-TRON #PV13140 10 POLE	122595	122595	122595	122595	122595
23	BRACKET, TERMINAL STRIP MTG 3 X 6	121749	121749	121749	121749	121749
24	JUMPER, ELEC-TRON #ESJ-145	102467	102467	102467	102467	102467
25	KIT, TEMPTRAC TOP TANK THERMISTOR SENSOR	129348	129348	129348	129348	129348
26	KIT, TEMPTRAC MID TANK THERMISTOR SENSOR	129349	129349	129349	129349	129349
27	JUMPER, ELEC-TRON #ESJ-154	122746	122746	122746	122746	122746
28	KIT, THERMOSTAT JUMO #60/600026382 200 DEG MANUAL	74115	74115	74115	74115	74115
29	KIT, TEMPTRAC FLUE OUTLET THERMISTOR SENSOR	129350	129350	129350	129350	129350
30	PROBE, LWCO WARRICK #3L1D002.75 W/1/8 MPT 316 SST	58154	58154	58154	58154	58154

DRAIN VALVE – T & P RELIEF VALVE – INTEGRAL CIRCULATING PUMP ASSEMBLY



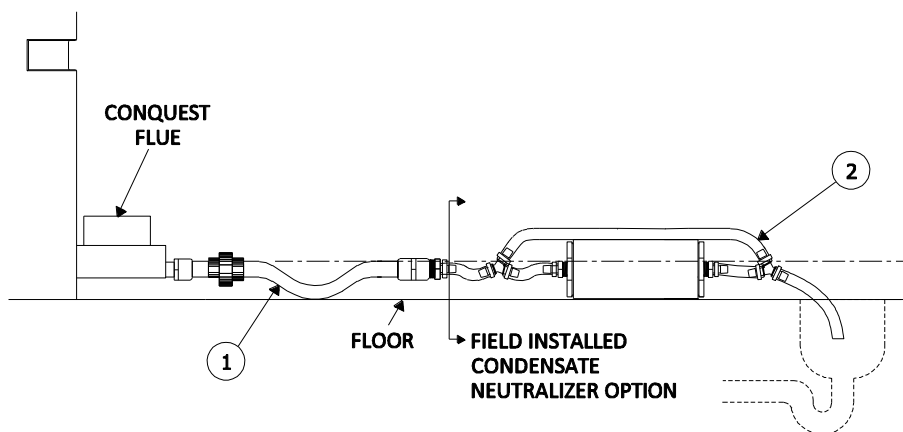
FRONT VIEW



SIDE VIEW

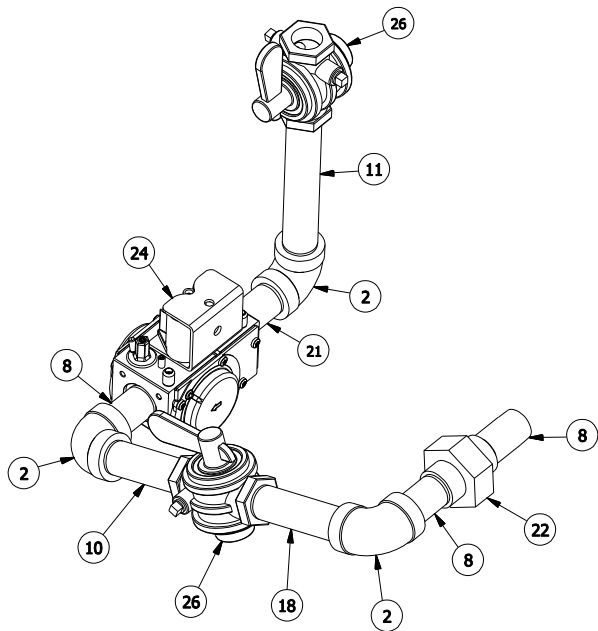
ITEM	DESCRIPTION	40 L	50 L	60 L	70 L	80 L
1	FLANGE, MTG BRONZE INTEGRAL PUMP PL 2 SIDE RAD SB584	119301	119301	119301	119301	119301
2	GASKET, FLUE CONNECTOR AGC #AICP159966 EPDM	123220	123220	123220	123220	123220
3	MOTOR, PUMP B & G #1BL113 MODEL #PL-75 115 VAC W/IMPELLER	120090	120090	120090	120090	120090
4	O-RING, GASKET 4.25 OD X 3.50 ID X .375 CS EPDM 80 DUROMETER	122423	122423	122423	122423	122423
5	VALVE,BALL 1 WATTS #LFFBV-3C BRASS THREADED 400 WOG	122394	122394	122394	122394	122394
6	VALVE, T & P RELIEF 1 WATTS #140X-6 150 PSI 670 M 3085	709	*	*	*	*
6	VALVE,T&P RELIEF 1 WATTS #N240X-6 150 PSI 730 M 4059	*	5432	5432	5432	5432
-	KIT,RELIEF VALVE 800M AGC CSA 140X-9 (Installed in outlet piping)	*	*	*	*	121830

CONDENSATE DRAIN TRAP & OPTIONAL CONDENSATE NEUTRALIZER

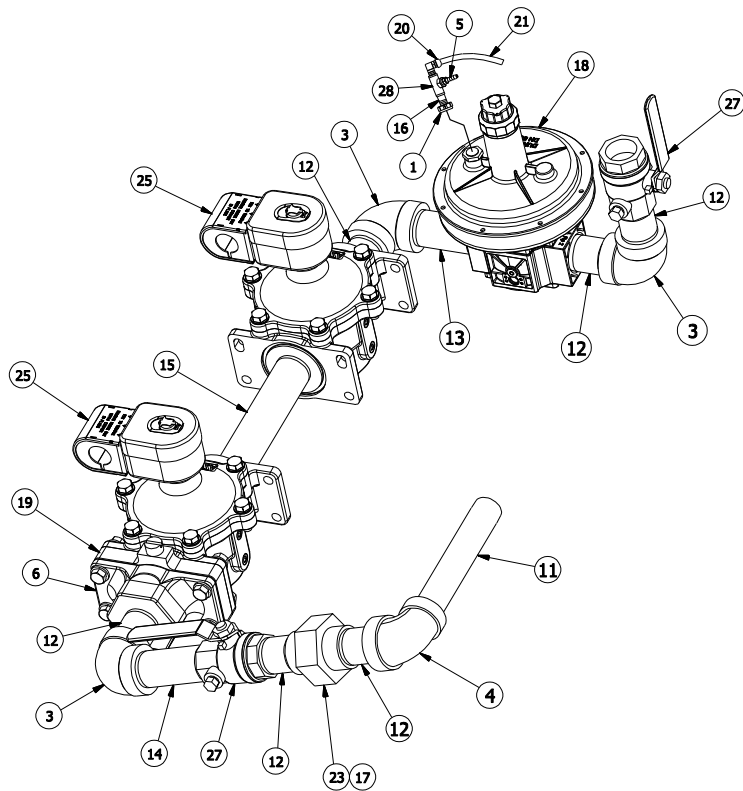


ITEM	DESCRIPTION	40 L	50 L	60 L	70 L	80 L
1	ASSY, COND DRAIN AGC 130 GAL 3/4 PVC	129230	129230	129230	129230	129230
2	ASSY, CONDENSATE DRAIN NEUTRALIZATION 1/2	121778	121778	121778	121778	121778

GAS TRAIN ASSEMBLY



Model 40 L 130A-GCL



Models (50, 60, 70, 80) L 130A-GCML

ITEM	DESCRIPTION	40 L	50 L	60 L	70 L	80 L
1	BUSHING,BRASS 1/4 X 1/8	*	6547	6547	6547	6547
2	ELL,BLACK 90DEG 3/4	6160	*	*	*	*
3	ELL,BLACK 90DEG 1	*	6163	6163	6163	6163
4	ELL,BLACK 90DEG 1 X 3/4	*	6164	6164	6164	6164
5	FITTING,BRASS 1/8 NPT X 1/4 HOSE BARB	*	122828	122828	122828	122828
6	FLANGE,ADAPTER 1 ASCO #296659-002 INLET/OUTLET	*	115770	115770	115770	115770
8	NIPPLE,BLACK 3/4 X 2	5991	*	*	*	*
9	NIPPLE,BLACK 3/4 X 2 1/2	114154	*	*	*	*
10	NIPPLE,BLACK 3/4 X 3 1/2	114262	*	*	*	*
11	NIPPLE,BLACK 3/4 X 6	5995	5995	5995	5995	5995
12	NIPPLE,BLACK 1 X 2	*	6011	6011	6011	6011
13	NIPPLE,BLACK 1 X 3	*	6012	6012	6012	6012
14	NIPPLE,BLACK 1 X 3 1/2	*	6013	6013	6013	6013
15	NIPPLE,BLACK 1 X 7	*	6018	6018	6018	6018
16	NIPPLE,BRASS 1/8 X CL	*	6508	6508	6508	6508
17	ORIFICE,DISC 1.750 OD X 0.500 ID (Natural Gas)	*	121791	121791	121791	121791
	ORIFICE,DISC 1.750 OD X 0.625 ID (Propane Gas)	*	123063	123063	123063	123063
18	REGULATOR,1 DUNGS #FRG710/6 ZERO GOVERNOR PROPORTIONATOR	*	79524	79524	79524	79524
19	SHUTTER,VALVE ASCO #HV426038001 1 TO 1 1/2 INCH	*	115786	115786	115786	115786
20	SNUBBER,90DEG 1/4 TUBE X 1/8 MPT #80 ORIFICE ANTUNES #00200-0302	*	5196	5196	5196	5196
21	TUBING,ALUMINUM 1/4 .032 WALL X 50 FT COIL DEAD SOFT	*	3299	3299	3299	3299
22	UNION,BLACK 3/4	5928	*	*	*	*
23	UNION,BLACK 1	*	5929	5929	5929	5929
24	VALVE, GAS 3/4 EBM #55290.04007 TYPE GB-ND 057 D01 S20 XP	125504	*	*	*	*
25	VALVE,GAS 1 ASCO #JB8214250 110/120V 50/60AC	*	118269	118269	118269	118269
26	VALVE,SHUTOFF 3/4 KEY GAS #216-242111	5336	*	*	*	*
27	VALVE, SHUTOFF 1 GAS COMBU #55350 MODEL #840S	*	52823	52823	52823	52823
28	TEE,BRASS 1/8	*	6437	6437	6437	6437