



ENGINEERED WATER HEATING SOLUTIONS

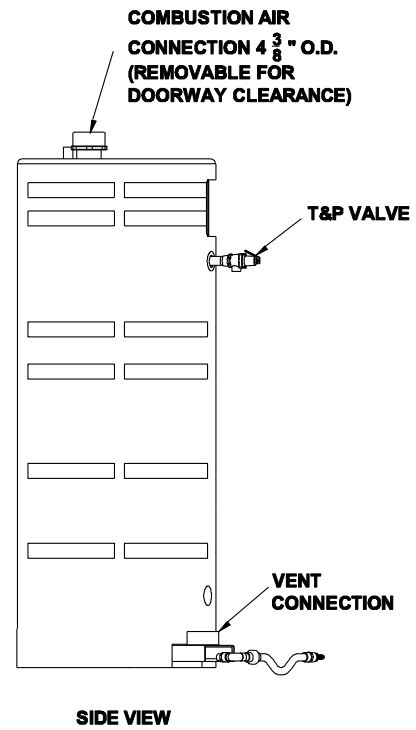
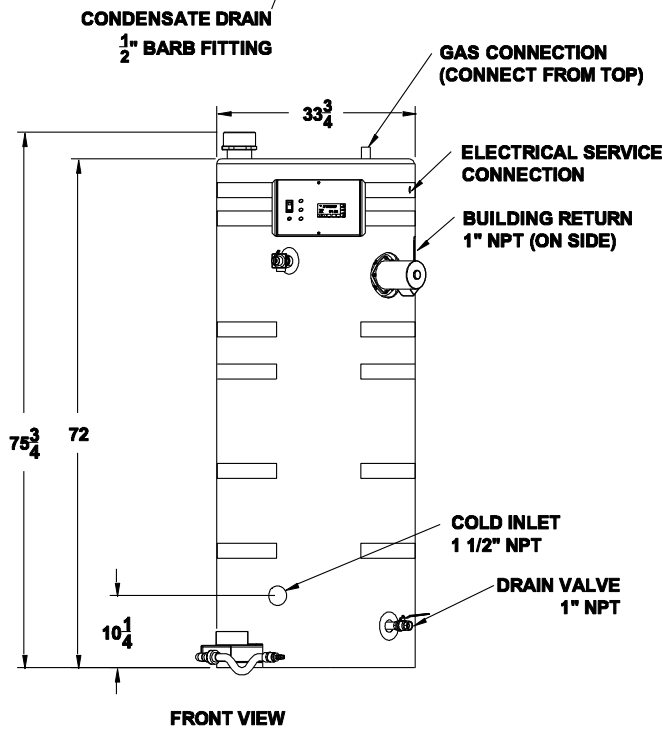
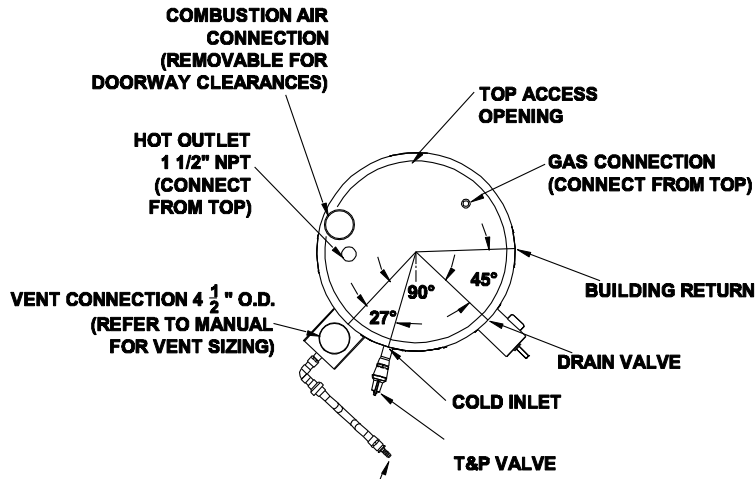
**REPLACEMENT PARTS LIST**  
**CONQUEST® CONDENSING GAS WATER HEATERS**  
**with EOS (Electronic Operating System)**  
**199 to 300 MBH**

(Please Have Model and Serial Number When Ordering Parts)



| <b>Contents</b>   | <b>Page</b> |
|---|-------------|
| Typical Conquest 100 Gallon Construction .....                              | 2           |
| Blower and Burner Assembly .....  | 3           |
| Control Panel Components .....  | 4           |
| Drain Valve – T & P Relief Valve – Integral Circulating Pump Assembly ..... | 5           |
| Condensate Drain Trap & Optional Condensate Neutralizer .....               | 5           |
| Gas Train Assembly .....  | 6           |

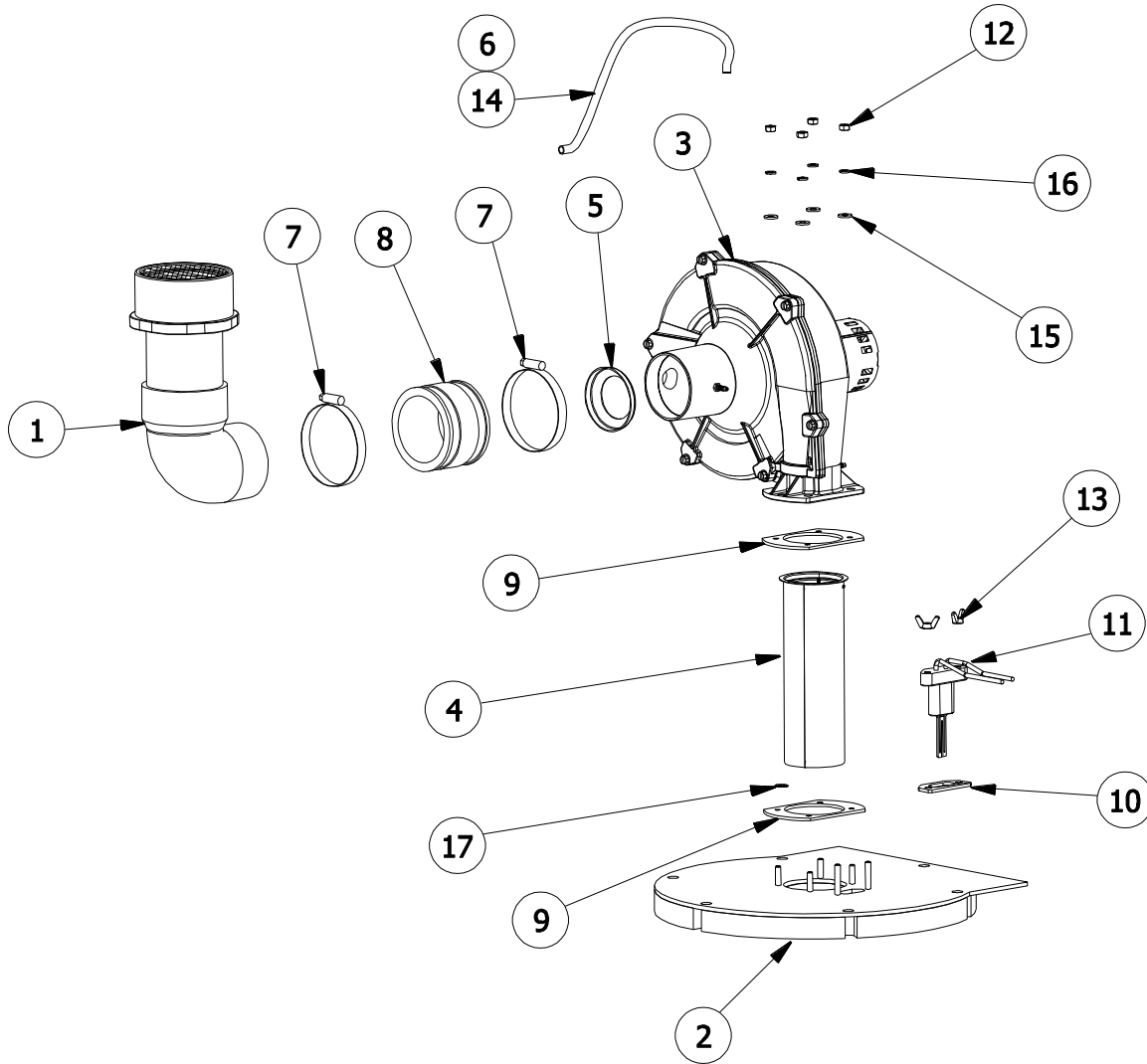
TYPICAL CONQUEST 100 GALLON CONSTRUCTION



MODEL 20 L 130A-GCL  
 MODEL 25 L 130A-GCL  
 MODEL 30 L 130A-GCL

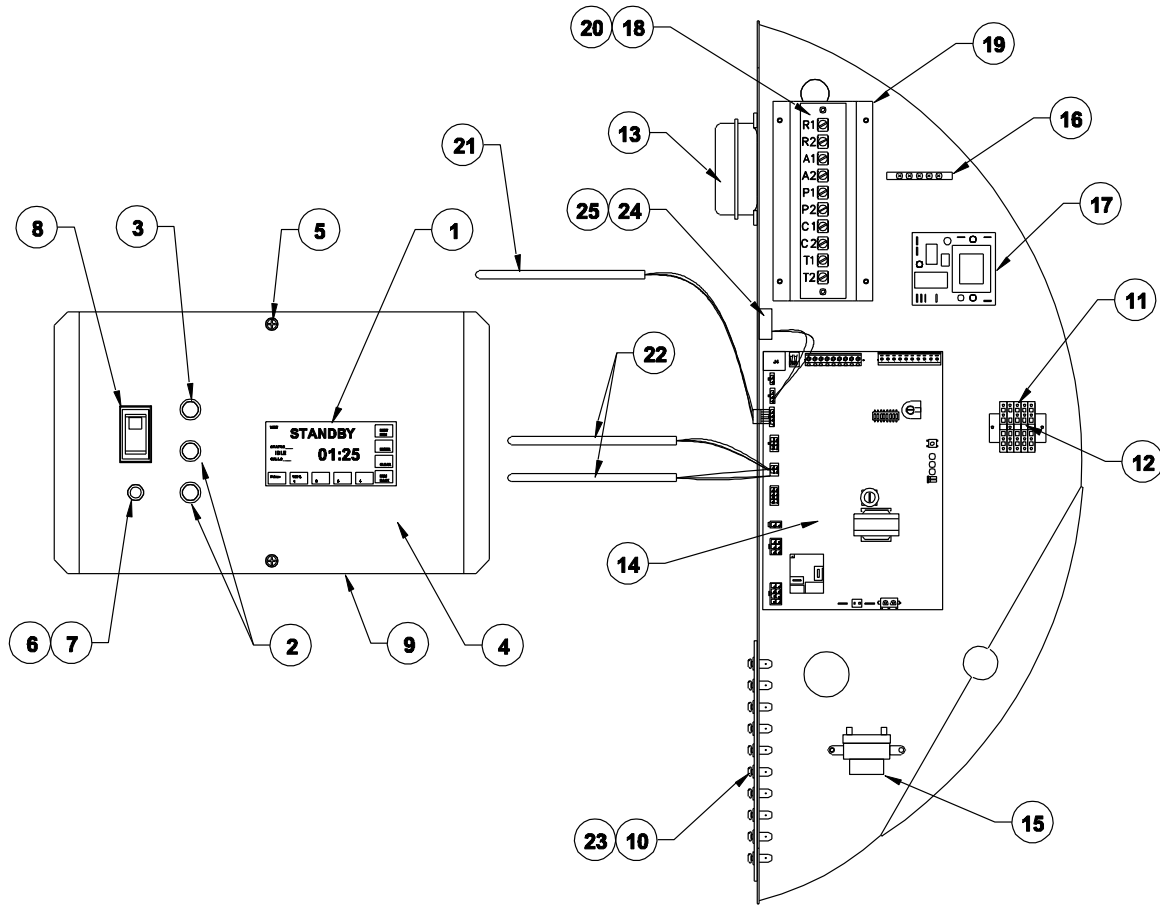
### BLOWER & BURNER ASSEMBLY - MODELS (20, 25, 30) L 100A-GCL

(Optional components may not be shown)



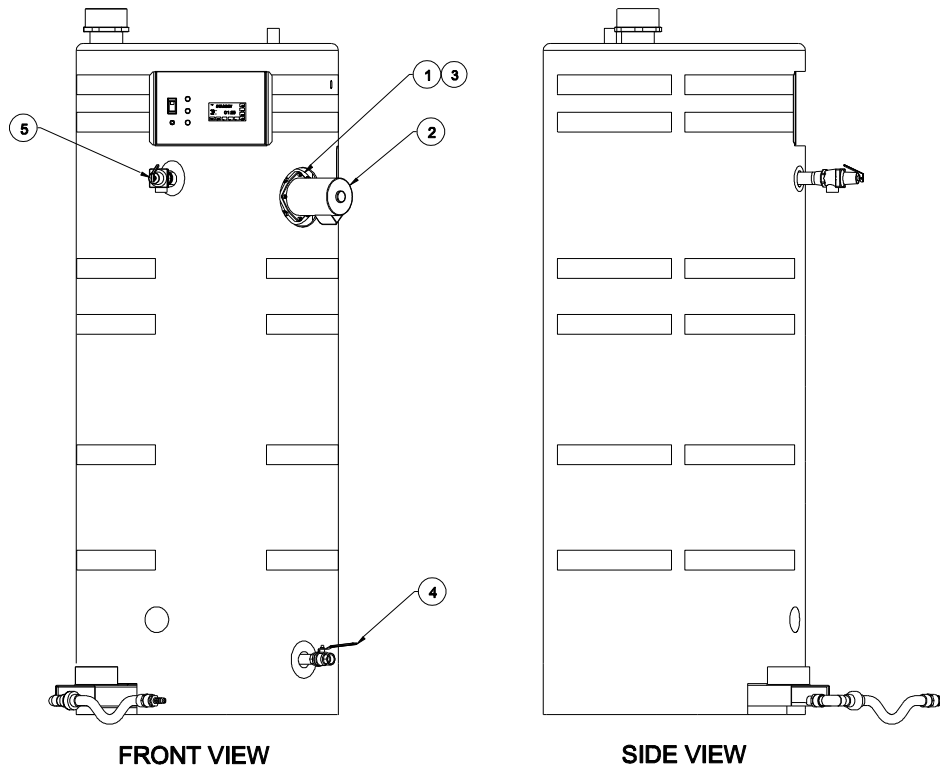
| ITEM | DESCRIPTION  | 20 L 100A-GCL          | 25 L 100A-GCL          | 30 L 100A-GCL          |
|------|--|------------------------|------------------------|------------------------|
| 1    | ASSY, AIR INTAKE ( Includes Brass ELL Hose Barb)               | <a href="#">124161</a> | <a href="#">124161</a> | <a href="#">124161</a> |
| 2    | ASSY,BULKHEAD AGC ACB W/INSULATION REV15 PRESSED IN STUDS      | 128538                 | 128538                 | 128538                 |
| 3    | BLOWER, FASCO #7062-6047 1/2 HP 120V 60HZ 3500 RPM CLASS       | <a href="#">119467</a> | <a href="#">119467</a> | <a href="#">119467</a> |
| 4    | BURNER, WORGAS #PRX0114 70 X 217 MM                            | 115277                 | 115277                 | 115277                 |
| 5    | CAP, ORIFICE 3 X 1 3/4 ID AGC                                  | -                      | -                      | 128984                 |
| 5    | CAP, ORIFICE 3 X 1 3/8 ID AGC                                  | 128983                 | 128983                 | -                      |
| 6    | CLAMP, HOSE 1/4 NYLON  | <a href="#">120333</a> | <a href="#">120333</a> | <a href="#">120333</a> |
| 7    | CLAMP, HOSE STAINLESS 3 9/16 X 4 1/2 OD                        | <a href="#">124710</a> | <a href="#">124710</a> | <a href="#">124710</a> |
| 8    | ADAPTER,AIR INTAKE 3 1/2 ID X 2 1/2                            | <a href="#">124894</a> | <a href="#">124894</a> | <a href="#">124894</a> |
| 9    | GASKET, FLANGE BLOWER/BURNER 1/8 232 CRANEGLAS 2.75 ID         | <a href="#">120493</a> | <a href="#">120493</a> | <a href="#">120493</a> |
| 10   | GASKET, IGNITOR 1/8 232 CRANEGLAS Y271                         | <a href="#">111791</a> | <a href="#">111791</a> | <a href="#">111791</a> |
| 11   | IGNITER, HOT SURFACE NORTON #271Y MB478844 INDIVIDUAL PACKAGE  | <a href="#">107775</a> | <a href="#">107775</a> | <a href="#">107775</a> |
| 12   | NUT, HEX 1/4 X 20 NC STEEL ZINC PLT                            | 3475                   | 3475                   | 3475                   |
| 13   | NUT, WING 1/4 X 20 NC STEEL ZINC PLT                           | 79972                  | 79972                  | 79972                  |
| 14   | KIT, SILICONE TUBING AGC 3/16 ID X 5/16 OD X .0625 WALL X 2 FT | 128323                 | 128323                 | 128323                 |
| 15   | WASHER, FLAT 1/4 PLT   | 15607                  | 15607                  | 15607                  |
| 16   | WASHER, LOCK 1/4 PLT   | 3494                   | 3494                   | 3494                   |
| 17   | WASHER, STAR 1/4 SHAKEPROOF                                    | 38607                  | 38607                  | 38607                  |

**CONTROL PANEL COMPONENTS - MODELS (20, 25, 30) L 100A-GCL**



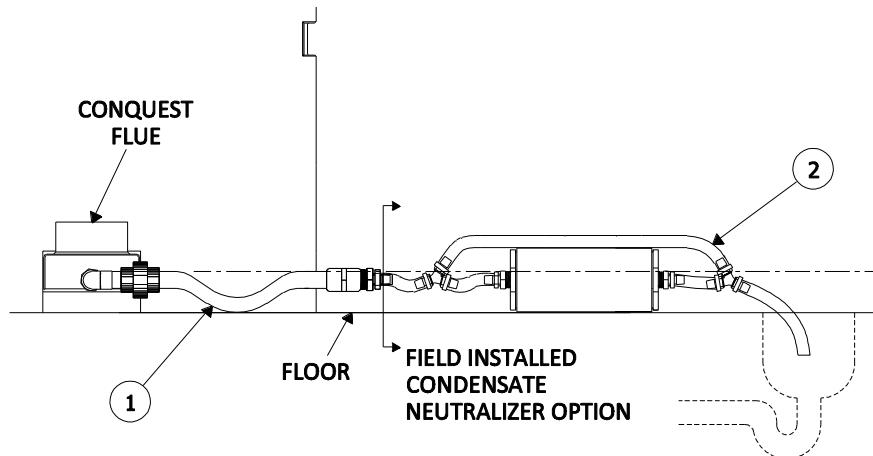
| ITEM | DESCRIPTION   | 20 L 100A-GCL          | 25 L 100A-GCL          | 30 L 100A-GCL          |
|------|---|------------------------|------------------------|------------------------|
| 1    | KIT,EOS BTCII USER INTERFACE REPLACEMENT AGC 20/25/30/40 PREF | <a href="#">138397</a> | <a href="#">138397</a> | <a href="#">138397</a> |
| 2    | SWITCH, SPST N.C. MOMENTARY CONTACT SELECTA #SS229            | <a href="#">70573</a>  | <a href="#">70573</a>  | <a href="#">70573</a>  |
| 3    | SWITCH, SPST N.O. MOMENTARY CONTACT SELECTA #SS228            | 75908                  | 75908                  | 75908                  |
| 4    | FACE PLATE DECAL  | 126335                 | 126335                 | 126335                 |
| 5    | SCREW 10-24 X 1/2   | 125249                 | 125249                 | 125249                 |
| 6    | FUSEHOLDER, PANEL TYPE #HTB-28I                               | <a href="#">5613</a>   | <a href="#">5613</a>   | <a href="#">5613</a>   |
| 7    | FUSE, MDA 10 AMP BUSS 250V                                    | <a href="#">76267</a>  | <a href="#">76267</a>  | <a href="#">76267</a>  |
| 8    | SWITCH, CARLING #LTILA51-6S-BL-AM-NBL-125N/INDP AMBER LIGHT   | <a href="#">70565</a>  | <a href="#">70565</a>  | <a href="#">70565</a>  |
| 9    | PLATE, FACE AGC PIM/Digital Control Display                   | 126076                 | 126076                 | 126076                 |
| 10   | BOARD, TERMINAL ELEC-TRON #PV13080 20 POLE FEED               | <a href="#">122346</a> | <a href="#">122346</a> | <a href="#">122346</a> |
| 11   | BLOCK, TERMINAL WAGO #280-833 600V 20A DIN                    | <a href="#">122319</a> | <a href="#">122319</a> | <a href="#">122319</a> |
| 12   | JUMPER, TERMINAL BLOCK WAGO #280-402 23A                      | <a href="#">122320</a> | <a href="#">122320</a> | <a href="#">122320</a> |
| 13   | SWITCH, AIR PROVING CLEVELAND CONTROLS #NS2-1166-01 0.50 WC   | <a href="#">121444</a> | <a href="#">121444</a> | <a href="#">121444</a> |
| 14   | KIT,PIM CONTROL REPLACEMENT AGC 20/25/30/40 PREFIX            | <a href="#">129335</a> | <a href="#">129335</a> | <a href="#">129335</a> |
| 15   | TRANSFORMER, STEP DOWN TRIAD #F5-24 115VAC 24VCT 12.0VA       | 126865                 | 126865                 | 126865                 |
| 16   | BAR, GROUND SQUARE D #PK5GTA 5 POLE                           | <a href="#">122321</a> | <a href="#">122321</a> | <a href="#">122321</a> |
| 17   | LWCO, PROTODESIGN #LW-3-C-1-A-03 120V                         | <a href="#">113915</a> | <a href="#">113915</a> | <a href="#">113915</a> |
| 18   | BOARD, TERMINAL ELEC-TRON #PV13140 10 POLE FEED THRU TYPE     | 140328                 | 140328                 | 140328                 |
| 19   | BRACKET, TERMINAL STRIP MTG 3 X 6 FOR P/N 102011              | <a href="#">121749</a> | <a href="#">121749</a> | <a href="#">121749</a> |
| 20   | JUMPER, ELEC-TRON #ESJ-145                                    | <a href="#">102467</a> | <a href="#">102467</a> | <a href="#">102467</a> |
| 21   | HIGH LIMIT/UPPER OPERATOR THERMISTOR SENSOR #91769 DUAL       | 126090                 | 126090                 | 126090                 |
| 22   | LOWER OPERATOR/FLUE TEMP THERMISTOR SENSOR #91768 SINGLE      | 126089                 | 126089                 | 126089                 |
| 23   | JUMPER, ELEC-TRON #ESJ-154                                    | <a href="#">122746</a> | <a href="#">122746</a> | <a href="#">122746</a> |
| 24   | PROFILE ID CARD FENWAL #05-900000 WATER HEATER                | 126536                 | 126536                 | 126536                 |
| 25   | CARD CABLE FENWAL #05-900001-018                              | 126537                 | 126537                 | 126537                 |

### DRAIN VALVE – T & P RELIEF VALVE – INTEGRAL CIRCULATING PUMP ASSY



| ITEM | DESCRIPTION  | 20 L 100A-GCL          | 25 L 100A-GCL          | 30 L 100A-GCL          |
|------|--|------------------------|------------------------|------------------------|
| 1    | FLANGE, MTG BRONZE INTEGRAL PUMP PL 2 SIDE RAD SB584         | 119301                 | 119301                 | 119301                 |
| 2    | MOTOR, PUMP B & G #1BL113 MODEL #PL-75 115 VAC W/IMPELLER    | <a href="#">120090</a> | <a href="#">120090</a> | <a href="#">120090</a> |
| 3    | O-RING, GASKET 4.25 OD X 3.50 ID X .375 CS EPDM 80 DUROMETER | <a href="#">122423</a> | <a href="#">122423</a> | <a href="#">122423</a> |
| 4    | VALVE, BALL 3/4 JOMAR #100-654G BRASS THREADED X HOSE        | <a href="#">124557</a> | <a href="#">124557</a> | <a href="#">124557</a> |
| 5    | VALVE, T & P RELIEF 1 WATTS #140X-6 150 PSI 670 M 3085       | <a href="#">709</a>    | <a href="#">709</a>    | <a href="#">709</a>    |

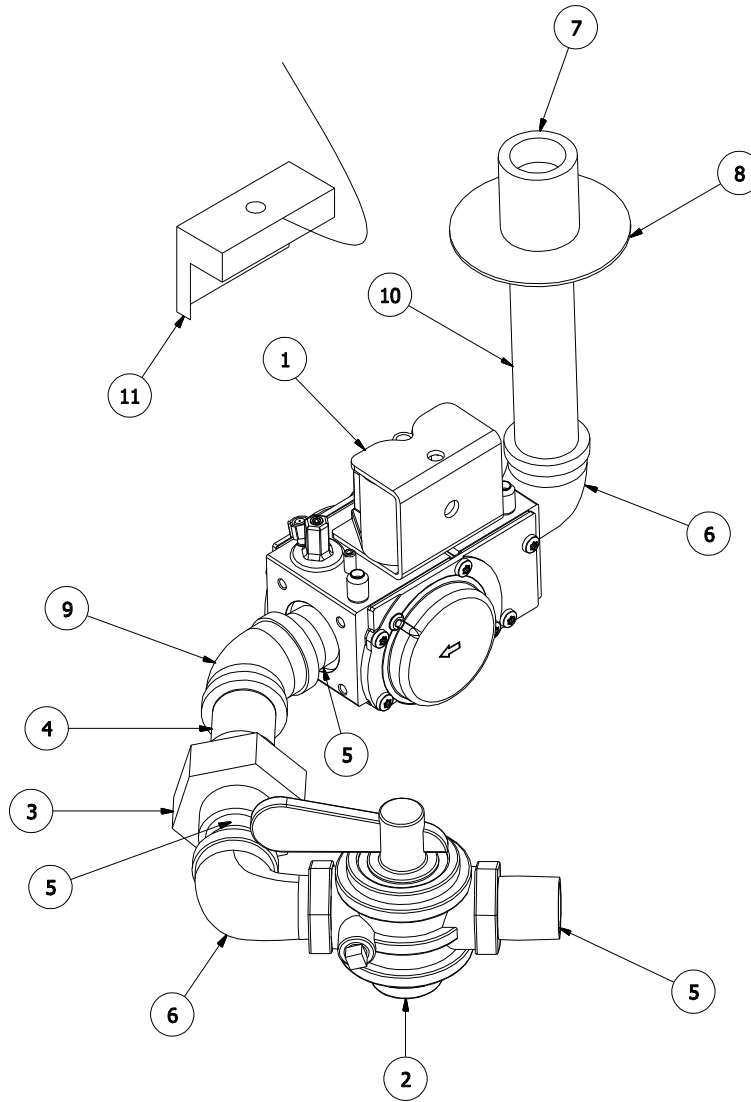
### CONDENSATE DRAIN TRAP & OPTIONAL CONDENSATE NEUTRALIZER



| ITEM | DESCRIPTION | 20 L 100A-GCL | 25 L 100A-GCL | 30 L 100A-GCL |
|------|-------------|---------------|---------------|---------------|
|------|-------------|---------------|---------------|---------------|

|   |   |        |        |        |
|---|---|--------|--------|--------|
| 1 | ASSY,COND DRAIN AGC 100 GAL 3/4 PVC       | 129229 | 129229 | 129229 |
| 2 | ASSY, CONDENSATE DRAIN NEUTRALIZATION 1/2 | 140793 | 140793 | 140793 |

**GAS TRAIN ASSEMBLY**



| ITEM | DESCRIPTION  | 20 L 100A-GCL          | 25 L 100A-GCL          | 30 L 100A-GCL          |
|------|--|------------------------|------------------------|------------------------|
| 1    | VALVE, GAS 3/4 EBM #55290.04007 TYPE GB-ND 057 D01 S20 XP. | <a href="#">125504</a> | <a href="#">125504</a> | <a href="#">125504</a> |
| 2    | VALVE, SHUTOFF 3/4 KEY GAS #216-242111                     | <a href="#">5336</a>   | <a href="#">5336</a>   | <a href="#">5336</a>   |
| 3    | UNION, BLACK 3/4   | 5928                   | 5928                   | 5928                   |
| 4    | NIPPLE, BLACK 3/4 X 2                                      | 5991                   | 5991                   | 5991                   |
| 5    | NIPPLE, BLACK 3/4 X CL                                     | 5989                   | 5989                   | 5989                   |
| 6    | ELL, STREET BLACK 90DEG 3/4                                | 6184                   | 6184                   | 6184                   |
| 7    | COUPLING, FULL BLACK 3/4 3000# SA105 FORGED STEEL          | 5902                   | 5902                   | 5902                   |
| 8    | RETAINER, DISC GAS TRAIN 3 OD X 1 1/8 ID                   | <a href="#">124895</a> | <a href="#">124895</a> | <a href="#">124895</a> |
| 9    | ELL, BLACK 45DEG 3/4                                       | 6175                   | 6175                   | 6175                   |
| 10   | NIPPLE, BLACK 3/4 X 6                                      | 5995                   | 5995                   | 5995                   |
| 11   | HARNES, WIRING EBM #00002.44333A 120VAC W/ATTACHMENT SCREW | 110697                 | 110697                 | 110697                 |