



ENGINEERED WATER HEATING SOLUTIONS

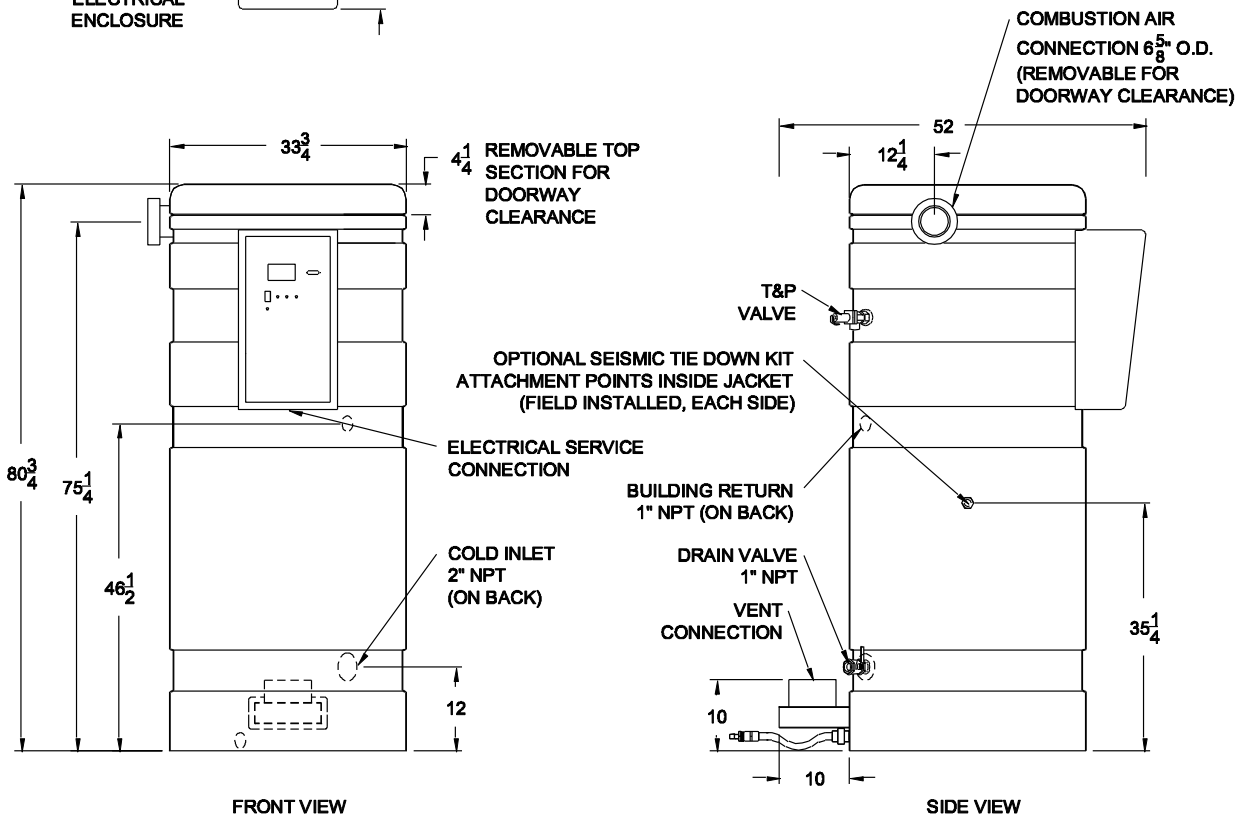
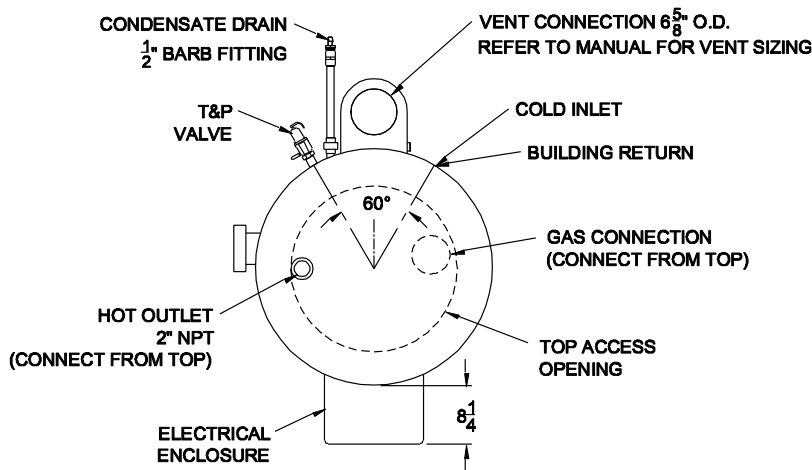
**REPLACEMENT PARTS LIST**  
**CONQUEST® CONDENSING GAS WATER HEATERS**  
**with EOS (Electronic Operating System)**  
**399 to 800 MBH**

(Please Have Model and Serial Number When Ordering Parts)

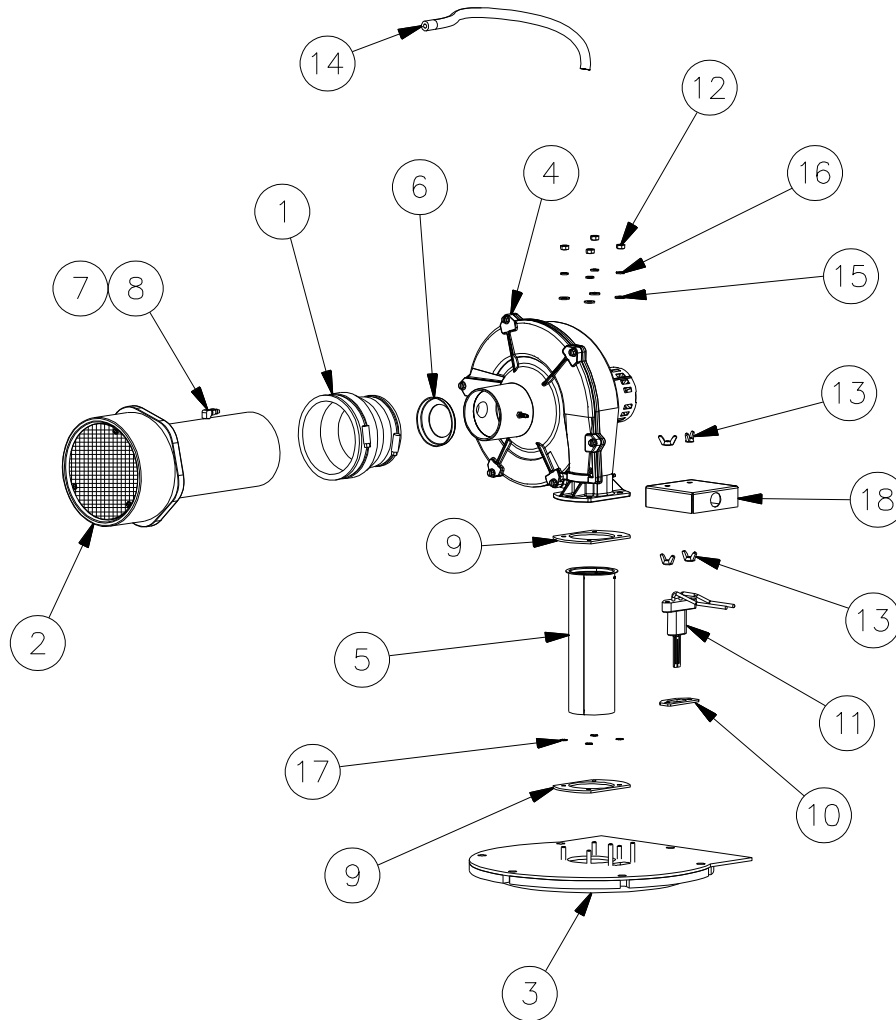


<b>Contents</b>	<b>Page</b>
Typical Conquest 130 Gallon Construction .....	2
Blower and Burner Assembly .....	3
Control Panel Components .....	4
Drain Valve – T & P Relief Valve – Integral Circulating Pump Assembly .....	5
Condensate Drain Trap & Optional Condensate Neutralizer .....	5
Gas Train Assembly .....	6

**TYPICAL CONQUEST 130 GALLON CONSTRUCTION**

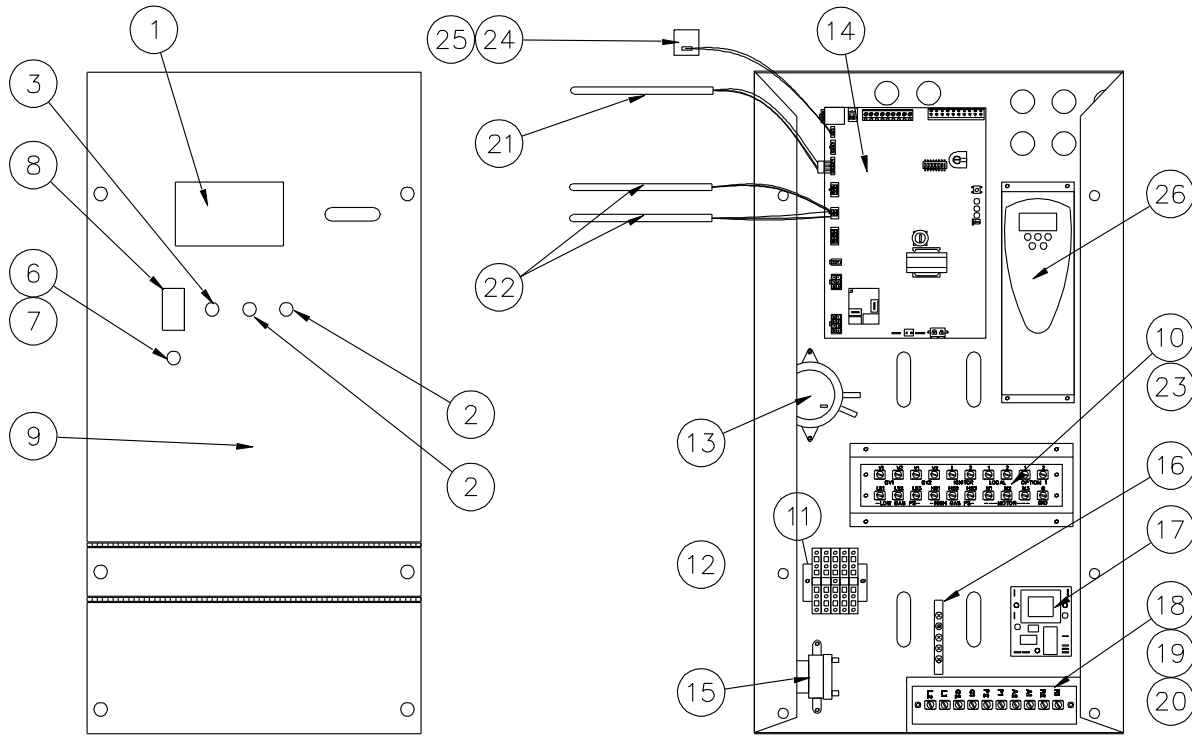


- MODEL 40 L 130A-GCL
- MODEL 50 L 130A-GCML
- MODEL 60 L 130A-GCML
- MODEL 70 L 130A-GCML
- MODEL 80 L 130A-GCML

**BLOWER & BURNER ASSEMBLY****Models (40, 50, 60, 70, 80) L 130A-GC(M)L**

ITEM	DESCRIPTION	40 L	50 L	60 L	70 L	80 L
1	ADAPTER,FLEXIBLE RUBBER 4 X	<a href="#">119469</a>	<a href="#">119469</a>	<a href="#">119469</a>	<a href="#">119469</a>	<a href="#">119469</a>
2	ASSY,AIR INTAKE AGC/ACB WITH SCREEN	<a href="#">121852</a>	<a href="#">121852</a>	<a href="#">121852</a>	<a href="#">121852</a>	<a href="#">121852</a>
3	ASSY,BULKHEAD AGC/ACB W/INSULATION REV13	128538	128538	128538	128538	128538
4	BLOWER, FASCO #70430102 1/2 HP	*	<a href="#">119466</a>	<a href="#">119466</a>	<a href="#">119466</a>	<a href="#">119466</a>
4	BLOWER,FASCO #7062-6047 1/2 HP 120V	<a href="#">119467</a>	*	*	*	*
5	BURNER,WORGAS #PRX0113 70 X 395 MM	<a href="#">115276</a>	<a href="#">115276</a>	<a href="#">115276</a>	<a href="#">115276</a>	<a href="#">115276</a>
6	CAP,ORIFICE 3 X 2 ID AGC/ACB	*	128985	128985	128985	128985
6	CAP,ORIFICE 3 X 1 3/4 ID AGC	128984	*	*	*	*
7	CLAMP,HOSE 1/4 NYLON	<a href="#">120333</a>	<a href="#">120333</a>	<a href="#">120333</a>	<a href="#">120333</a>	<a href="#">120333</a>
8	ELL,BRASS 1/8 NPT X 1/4 HOSE BARB	<a href="#">118016</a>	<a href="#">118016</a>	<a href="#">118016</a>	<a href="#">118016</a>	<a href="#">118016</a>
9	GASKET,FLANGE BLOWER/BURNER 1/8	<a href="#">120493</a>	<a href="#">120493</a>	<a href="#">120493</a>	<a href="#">120493</a>	<a href="#">120493</a>
10	GASKET,IGNITOR 1/8 232 CRANEGLAS Y271	<a href="#">111791</a>	<a href="#">111791</a>	<a href="#">111791</a>	<a href="#">111791</a>	<a href="#">111791</a>
11	IGNITER, HOT SURFACE NORTON #271Y	<a href="#">107775</a>	<a href="#">107775</a>	<a href="#">107775</a>	<a href="#">107775</a>	<a href="#">107775</a>
12	NUT,HEX 1/4 X 20 NC STEEL ZINC PLT	3475	3475	3475	3475	3475
13	NUT,WING 1/4 X 20 NC STEEL ZINC PLT	79972	79972	79972	79972	79972
14	KIT,SILICONE TUBING AGC 3/16 ID X 5/16 OD X 2 FT	128323	128323	128323	128323	128323
15	WASHER,FLAT 1/4 PLT	15607	15607	15607	15607	15607
16	WASHER,LOCK 1/4 PLT	3494	3494	3494	3494	3494
17	WASHER,STAR 1/4 SHAKEPROOF	38607	38607	38607	38607	38607
18	ENCL,IGNITER CONDUIT CONN MXF	113960	113960	113960	113960	113960

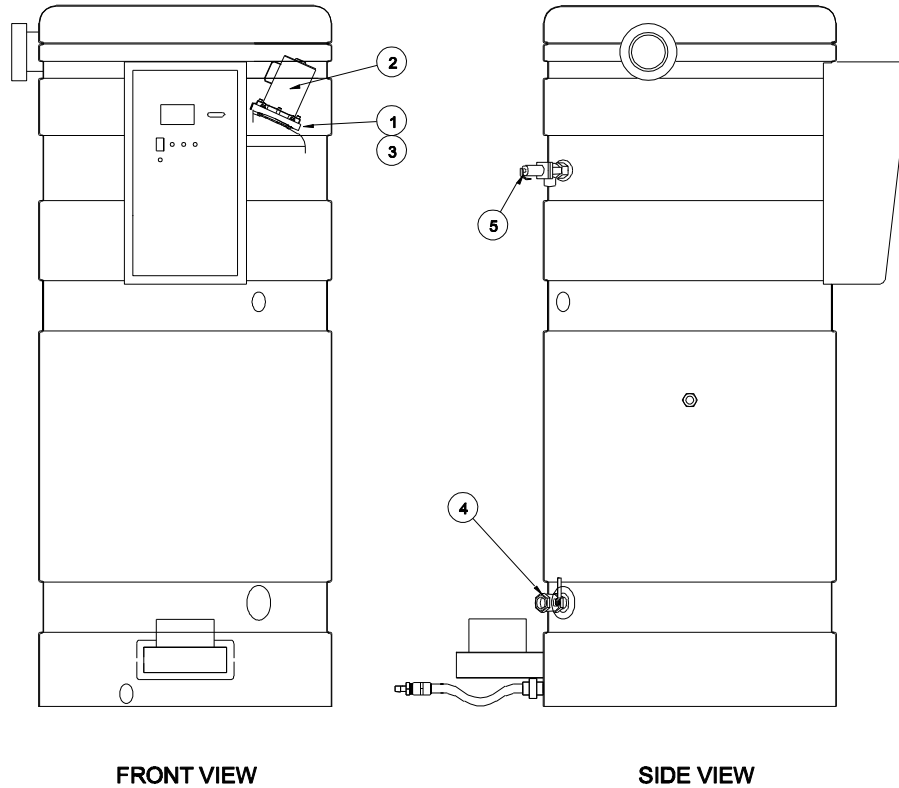
### CONTROL PANEL COMPONENTS



### Models (40, 50, 60, 70, 80) L 130A-GC(M)L

ITEM	DESCRIPTION	40 L	50 L	60 L	70 L	80 L
1	KIT,EOS BTCII USER INTERFACE REPLACEMENT	<a href="#">138397</a>	<a href="#">138398</a>	<a href="#">138399</a>	<a href="#">138400</a>	<a href="#">138401</a>
2	SWITCH, SPST N.C. MOMENTARY CONTACT SELECTA #SS229	<a href="#">70573</a>	<a href="#">70573</a>	<a href="#">70573</a>	<a href="#">70573</a>	<a href="#">70573</a>
3	SWITCH, SPST N.O. MOMENTARY CONTACT SELECTA #SS228	75908	75908	75908	75908	75908
4	FACE PLATE DECAL	126335	126335	126335	126335	126335
5	SCREW 10-24 X 1/2	125249	125249	125249	125249	125249
6	FUSEHOLDER, PANEL TYPE #HTB-28I	<a href="#">5613</a>	<a href="#">5613</a>	<a href="#">5613</a>	<a href="#">5613</a>	<a href="#">5613</a>
7	FUSE, MDA 10 AMP BUSS 250V	<a href="#">76267</a>	<a href="#">76267</a>	<a href="#">76267</a>	<a href="#">76267</a>	<a href="#">76267</a>
8	SWITCH, CARLING #LTLA51-6S-BL-AM-NBL-125N/INDP AMBER LIGHT	<a href="#">70565</a>	<a href="#">70565</a>	<a href="#">70565</a>	<a href="#">70565</a>	<a href="#">70565</a>
9	PLATE, FACE AGC PIM/Digital Control Display	126076	126076	126076	126076	126076
10	BOARD, TERMINAL ELEC-TRON #PV13080 20 POLE FEED	<a href="#">122346</a>	<a href="#">122346</a>	<a href="#">122346</a>	<a href="#">122346</a>	<a href="#">122346</a>
11	BLOCK, TERMINAL WAGO #280-833 600V 20A DIN	<a href="#">122319</a>	<a href="#">122319</a>	<a href="#">122319</a>	<a href="#">122319</a>	<a href="#">122319</a>
12	JUMPER, TERMINAL BLOCK WAGO #280-402 23A	<a href="#">122320</a>	<a href="#">122320</a>	<a href="#">122320</a>	<a href="#">122320</a>	<a href="#">122320</a>
13	SWITCH, AIR PROVING CLEVELAND CONTROLS #NS2-1166-01 0.50 WC	<a href="#">121444</a>	<a href="#">121444</a>	<a href="#">121444</a>	<a href="#">121444</a>	<a href="#">121444</a>
14	KIT,PIM CONTROL REPLACEMENT	<a href="#">129335</a>	<a href="#">129336</a>	<a href="#">129337</a>	<a href="#">129338</a>	<a href="#">129339</a>
15	TRANSFORMER, STEP DOWN TRIAD #F5-24 115VAC 24VCT 12.0VA	126865	126865	126865	126865	126865
16	BAR, GROUND SQUARE D #PKSGTA 5 POLE	<a href="#">122321</a>	<a href="#">122321</a>	<a href="#">122321</a>	<a href="#">122321</a>	<a href="#">122321</a>
17	LWCO, PROTODESIGN #LW-3-C-1-A-03 120V	<a href="#">113915</a>	<a href="#">113915</a>	<a href="#">113915</a>	<a href="#">113915</a>	<a href="#">113915</a>
18	BOARD, TERMINAL ELEC-TRON #PV13140 10 POLE FEED THRU TYPE	140328	140328	140328	140328	140328
19	BRACKET, TERMINAL STRIP MTG 3 X 6 FOR P/N 102011	<a href="#">121749</a>	<a href="#">121749</a>	<a href="#">121749</a>	<a href="#">121749</a>	<a href="#">121749</a>
20	JUMPER, ELEC-TRON #ESJ-145	<a href="#">102467</a>	<a href="#">102467</a>	<a href="#">102467</a>	<a href="#">102467</a>	<a href="#">102467</a>
21	HIGH LIMIT/UPPER OPERATOR THERMISTOR SENSOR #91769 DUAL	126090	126090	126090	126090	126090
22	LOWER OPERATOR/FLUE TEMP THERMISTOR SENSOR #91768 SINGLE	126089	126089	126089	126089	126089
23	JUMPER, ELEC-TRON #ESJ-154	<a href="#">122746</a>	<a href="#">122746</a>	<a href="#">122746</a>	<a href="#">122746</a>	<a href="#">122746</a>
24	PROFILE ID CARD FENWAL #05-900000 WATER HEATER	126536	126536	126536	126536	126536
25	CARD CABLE FENWAL #05-900001-018	126537	126537	126537	126537	126537
26	KIT,VFD PRG EMERSON M100	N/A	125234	125233	125231	125230

### DRAIN VALVE – T & P RELIEF VALVE – INTEGRAL CIRCULATING PUMP ASSEMBLY

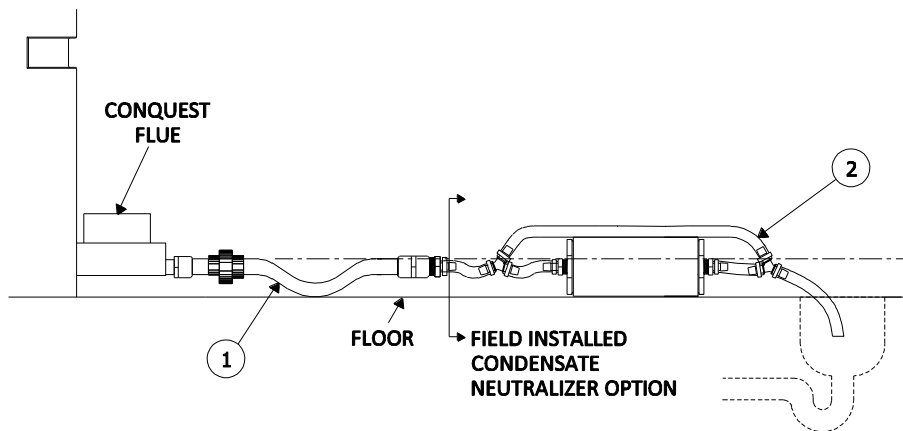


FRONT VIEW

SIDE VIEW

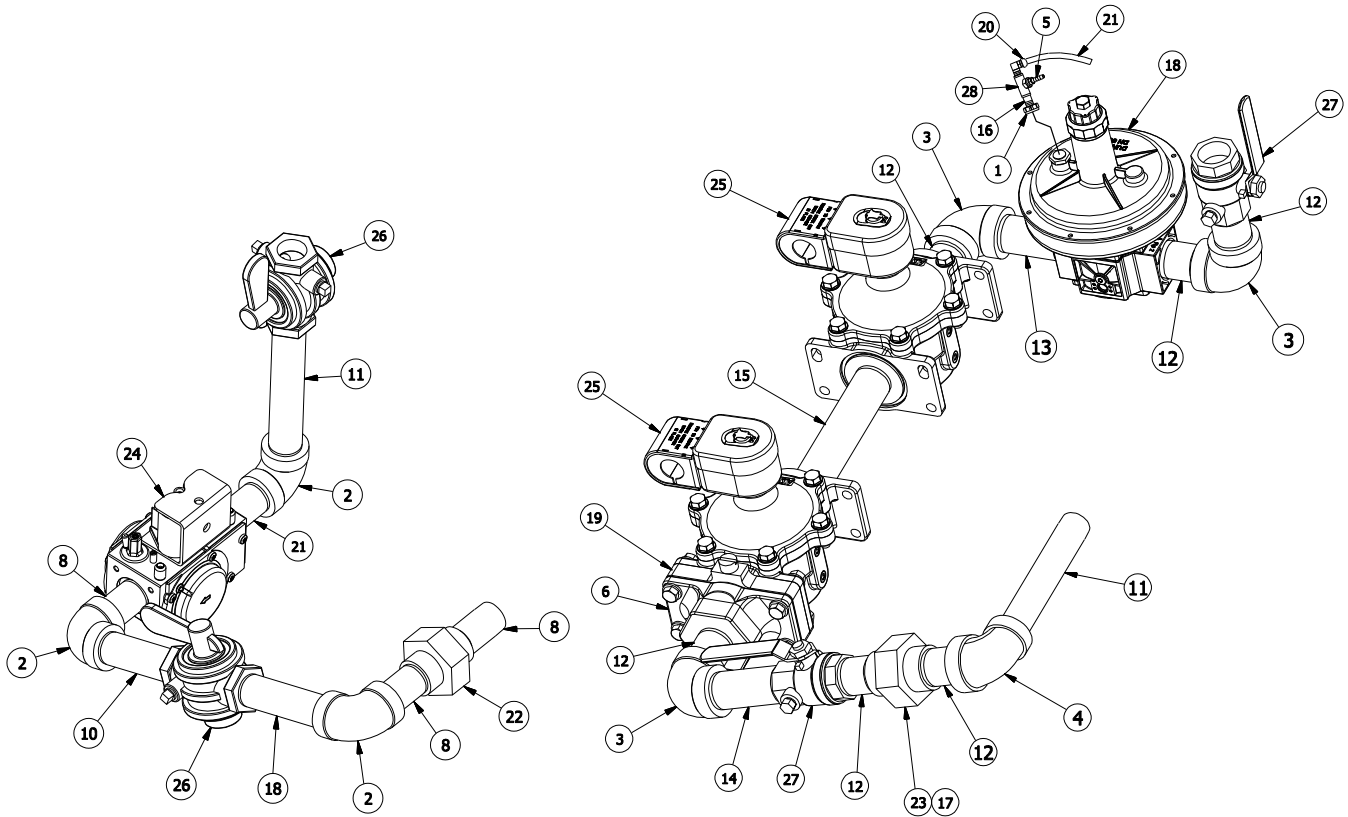
ITEM	DESCRIPTION	40 L 130A-GCL	50-80 L 130A-GCML
1	FLANGE, MTG BRONZE INTEGRAL PUMP PL	122289	122289
2	MOTOR, PUMP B & G #1BL113 MODEL #PL-75 115 VAC W/IMPELLER	<a href="#">120090</a>	<a href="#">120090</a>
3	O-RING, GASKET 4.25 OD X 3.50 ID X .375	<a href="#">122423</a>	<a href="#">122423</a>
4	VALVE,BALL 1 WATTS #LFFBV-3C BRASS THREADED 400 WOG	122394	122394
5	VALVE, T & P RELIEF 1 WATTS	<a href="#">5432</a>	<a href="#">709</a>

### CONDENSATE DRAIN TRAP & OPTIONAL CONDENSATE NEUTRALIZER



ITEM	DESCRIPTION	40 L 130A-GCL	50-80 L 130A-GCML
1	ASSY,COND DRAIN AGC 130 GAL 3/4 PVC	129230	140838
2	ASSY, CONDENSATE DRAIN NEUTRALIZATION 1/2	140793	140794

**GAS TRAIN ASSEMBLY**



**Model 40 L 130A-GCL**

**Models (50, 60, 70, 80) L 130A-GCML**

ITEM	DESCRIPTION	40 L	50 L	60 L	70 L	80 L
1	BUSHING,BRASS 1/4 X 1/8	*	6547	6547	6547	6547
2	ELL,BLACK 90DEG 3/4	6160	*	*	*	*
3	ELL,BLACK 90DEG 1	*	6163	6163	6163	6163
4	ELL,BLACK 90DEG 1 X 3/4	*	6164	6164	6164	6164
5	FITTING,BRASS 1/8 NPT X 1/4 HOSE BARB	*	<a href="#">122828</a>	<a href="#">122828</a>	<a href="#">122828</a>	<a href="#">122828</a>
6	FLANGE,ADAPTER 1 ASCO #296659-002 INLET/OUTLET	*	<a href="#">115770</a>	<a href="#">115770</a>	<a href="#">115770</a>	<a href="#">115770</a>
8	NIPPLE,BLACK 3/4 X 2	5991	*	*	*	*
9	NIPPLE,BLACK 3/4 X 2 1/2	114154	*	*	*	*
10	NIPPLE,BLACK 3/4 X 3 1/2	114262	*	*	*	*
11	NIPPLE,BLACK 3/4 X 6	5995	5995	5995	5995	5995
12	NIPPLE,BLACK 1 X 2	*	6011	6011	6011	6011
13	NIPPLE,BLACK 1 X 3	*	6012	6012	6012	6012
14	NIPPLE,BLACK 1 X 3 1/2	*	6013	6013	6013	6013
15	NIPPLE,BLACK 1 X 7	*	6018	6018	6018	6018
16	NIPPLE,BRASS 1/8 X CL	*	6508	6508	6508	6508
17	ORIFICE,DISC 1.750 OD X 0.500 ID (Natural Gas)	*	121791	121791	121791	121791
	ORIFICE,DISC 1.750 OD X 0.625 ID (Propane Gas)	*	<a href="#">123063</a>	<a href="#">123063</a>	<a href="#">123063</a>	<a href="#">123063</a>
18	REGULATOR,1 DUNGS #FRG710/6 ZERO GOVERNOR PROPORTIONATOR	*	<a href="#">79524</a>	<a href="#">79524</a>	<a href="#">79524</a>	<a href="#">79524</a>
19	SHUTTER,VALVE ASCO #HV426038001 1 TO 1 1/2 INCH	*	<a href="#">115786</a>	<a href="#">115786</a>	<a href="#">115786</a>	<a href="#">115786</a>
20	SNUBBER,90DEG 1/4 TUBE X 1/8 MPT #80 ORIFICE ANTUNES #00200-0302	*	<a href="#">5196</a>	<a href="#">5196</a>	<a href="#">5196</a>	<a href="#">5196</a>
21	TUBING,ALUMINUM 1/4 .032 WALL X 50 FT COIL DEAD SOFT	*	<a href="#">3299</a>	<a href="#">3299</a>	<a href="#">3299</a>	<a href="#">3299</a>
22	UNION,BLACK 3/4	5928	*	*	*	*
23	UNION,BLACK 1	*	5929	5929	5929	5929
24	VALVE, GAS 3/4 EBM #55290.04007 TYPE GB-ND 057 D01 S20 XP	<a href="#">125504</a>	*	*	*	*
25	VALVE,GAS 1 ASCO #JB8214250 110/120V 50/60AC	*	<a href="#">118269</a>	<a href="#">118269</a>	<a href="#">118269</a>	<a href="#">118269</a>
26	VALVE,SHUTOFF 3/4 KEY GAS #216-242111	<a href="#">5336</a>	*	*	*	*
27	VALVE, SHUTOFF 1 GAS COMBU #55350 MODEL #840S	*	<a href="#">52823</a>	<a href="#">52823</a>	<a href="#">52823</a>	<a href="#">52823</a>
28	TEE,BRASS 1/8	*	<a href="#">6437</a>	<a href="#">6437</a>	<a href="#">6437</a>	<a href="#">6437</a>