



ENGINEERED WATER HEATING SOLUTIONS

REPLACEMENT PARTS LIST

COBEX[®] Instantaneous Steam-to-Water Heaters

(Please Have Model and Serial Number When Ordering Parts)

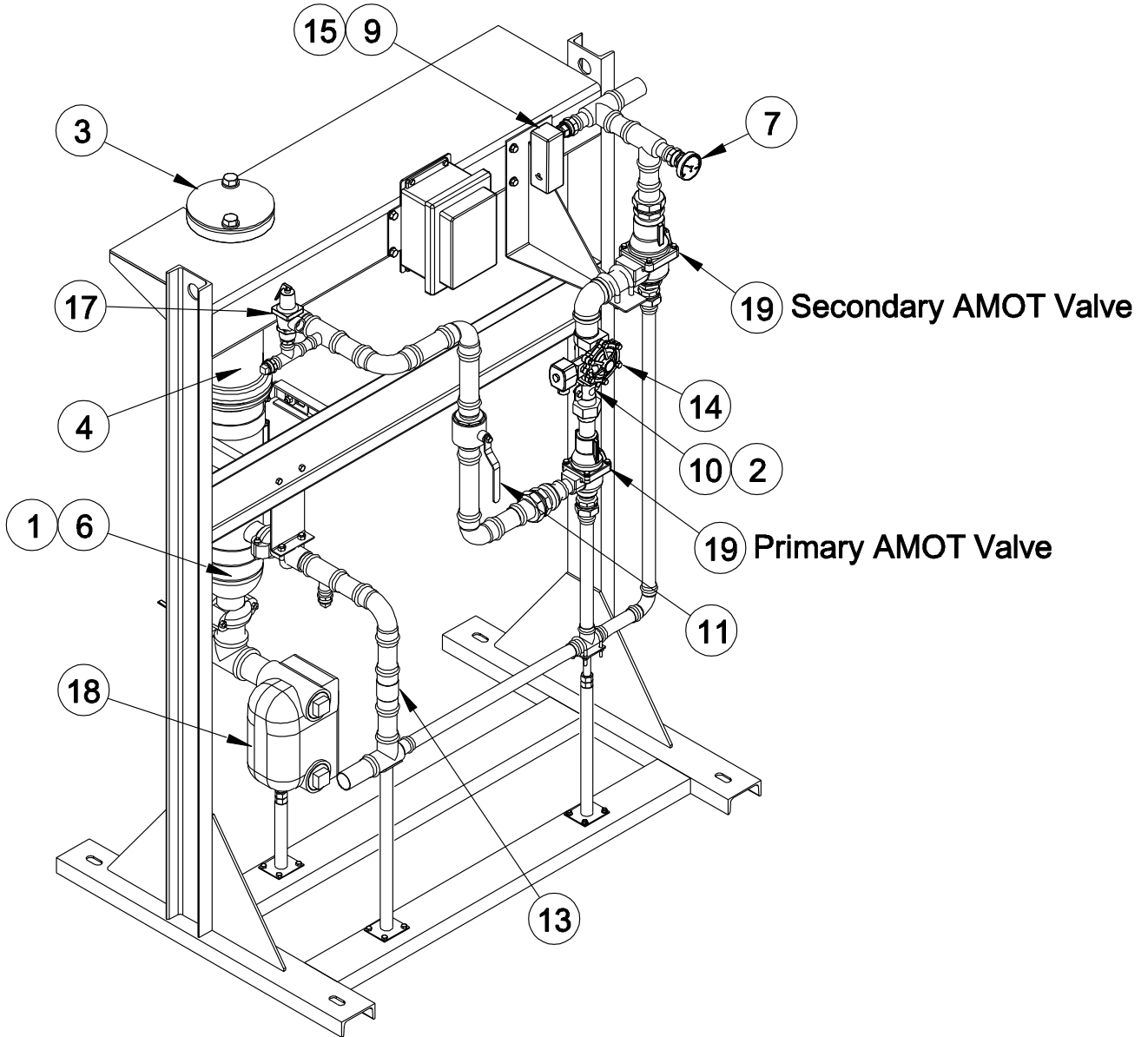


Typical Cobrex Construction

Contents	Page
Single Heat Exchanger Product Description	2
Dual Heat Exchanger Product Description	3-4
Model Number / Temperature Control Component Cross Reference	5 - 6
AMOT Temperature Control Assembly Cross Reference	7
Replacement Part Numbers (By Product Configuration)	8 - 9

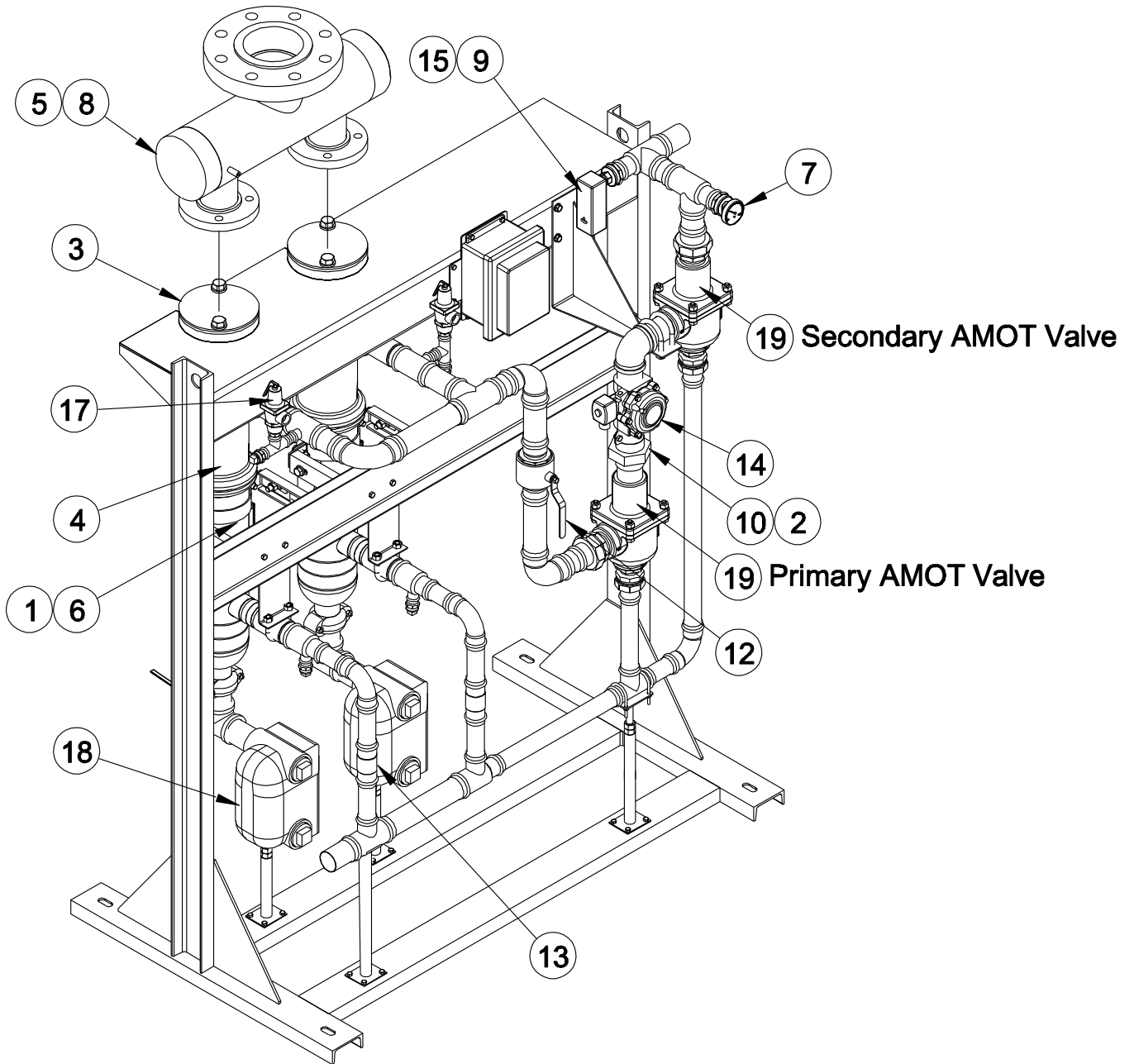
Single Heat Exchanger Models

Product Configurations: 1A, 1B, 2, 3A, 3B and 5
(Optional components may not be shown)



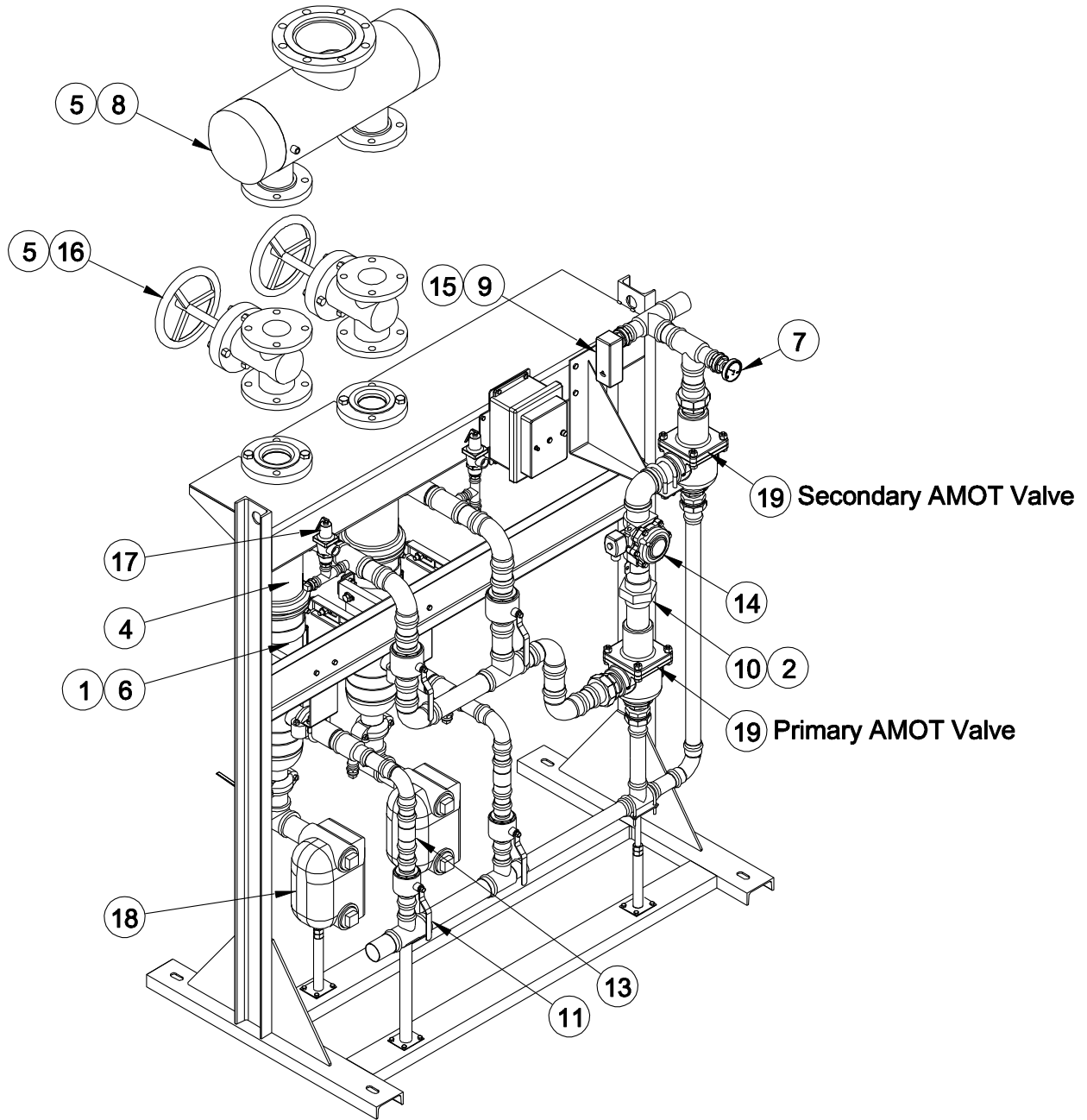
Dual Heat Exchanger High-Output Models

Product Configurations: 4 and 6
(Optional components may not be shown)



Dual Heat Exchanger High-Output Models with Isolation Valves

Product Configurations: 4 and 6
(Optional components may not be shown)



Model Number / Temperature Control Component Cross Reference

MODEL NUMBER	PRODUCT CONFIGURATION	HEAT EXCHANGER	AMOT TEMPERATURE CONTROL PACKAGE	SOLENOID VALVE	PRESSURE RELIEF VALVE	STEAM TRAP
CCX 120 - 20 - 5	1B	121754	123885	76229	43084	68467
CCX 120 - 20 - 10	1B	121754	123885	76229	43084	68467
CCX 120 - 20 - 15	1B	121754	123885	76229	43084	68466
CCX 140 - 20 - 5	1B	121754	123888	76229	43084	68468
CCX 140 - 20 - 10	1B	121754	123888	76229	43084	68467
CCX 140 - 20 - 15	1B	121754	123888	76229	43084	68467
CCX 160 - 20 - 5	2	121754	123891	76229	79776	68468
CCX 160 - 20 - 10	1B	121754	123891	76229	43084	68468
CCX 160 - 20 - 15	1B	121754	123891	76229	43084	68468
CCX 120 - 30 - 5	1A	121754	123886	75611	43084	68468
CCX 120 - 30 - 10	1A	121754	123886	75611	43084	68468
CCX 120 - 30 - 15	1A	121754	123886	75611	43084	68468
CCX 140 - 30 - 15	1A	121754	123889	75611	43084	68468
CCX 140 - 30 - 5	2	121755	123889	75611	79776	68468
CCX 140 - 30 - 10	2	121755	123889	75611	79776	68468
CCX 160 - 30 - 5	2	121755	123892	75611	79776	68469
CCX 160 - 30 - 10	2	121755	123892	75611	79776	68469
CCX 160 - 30 - 15	2	121755	123892	75611	79776	68469
CCX 120 - 40 - 5	3B	121755	123887	75611	79776	68468
CCX 120 - 40 - 10	3B	121755	123887	75611	79776	68468
CCX 120 - 40 - 15	3B	121755	123887	75611	43084	68468
CCX 140 - 40 - 5	3B	121755	123890	75611	79776	68469
CCX 140 - 40 - 10	3B	121755	123890	75611	79776	68468
CCX 140 - 40 - 15	3B	121755	123890	75611	79776	68468
CCX 160 - 40 - 5	3B	121755	123893	75611	79776	68469
CCX 160 - 40 - 10	3B	121755	123893	75611	79776	68469
CCX 160 - 40 - 15	3B	121755	123893	75611	79776	68468
CCX 120 - 50 - 5	3A	121755	123357	77046	79776	68469
CCX 120 - 50 - 10	3A	121755	123357	77046	79776	68468

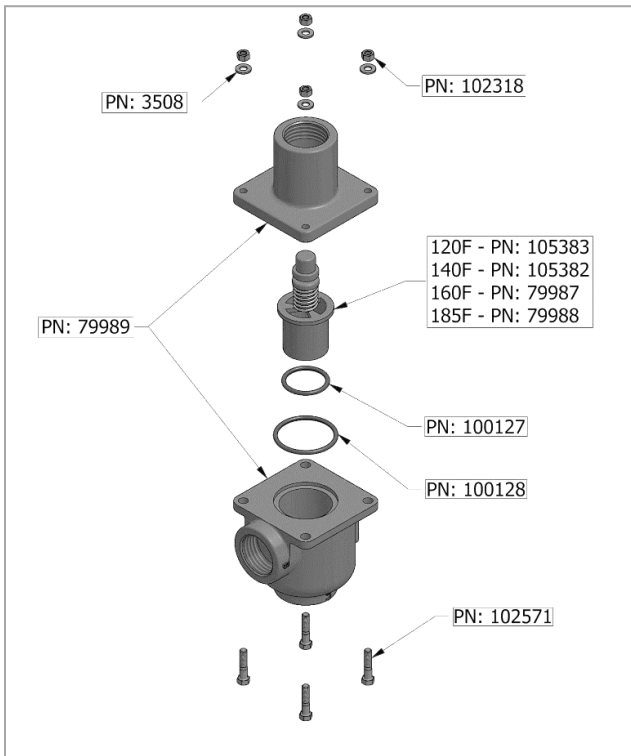
Model Number / Temperature Control Component Cross Reference (cont.)

MODEL NUMBER	PRODUCT CONFIGURATION	HEAT EXCHANGER	AMOT TEMPERATURE CONTROL PACKAGE	SOLENOID VALVE	PRESSURE RELIEF VALVE	STEAM TRAP
CCX 120 - 50 - 15	3A	121755	123357	77046	47842	68468
CCX 140 - 50 - 5	3A	121755	123359	77046	79776	68469
CCX 140 - 50 - 10	3A	121755	123359	77046	79776	68469
CCX 140 - 50 - 15	3A	121755	123359	77046	79776	68469
CCX 160 - 50 - 15	3A	121755	123358	77046	79776	68469
CCX 120 - 60 - 5	3A	121755	123357	77046	79776	68469
CCX 120 - 60 - 10	3A	121755	123357	77046	79776	68469
CCX 120 - 60 - 15	3A	121755	123357	77046	47842	68469
CCX 140 - 60 - 10	3A	121755	123359	77046	79776	68469
CCX 140 - 60 - 15	3A	121755	123359	77046	79776	68469
CCX 160 - 50 - 5	3A	121755 x 2	123358	77046	79776 x 2	68469 x 2
CCX 160 - 50 - 10	4	121755 x 2	123358	77046	79776 x 2	68469 x 2
CCX 140 - 60 - 5	4	121755 x 2	123359	77046	79776 x 2	68468 x 2
CCX 160 - 60 - 5	4	121755 x 2	123358	77046	79776 x 2	68469 x 2
CCX 160 - 60 - 10	4	121755 x 2	123358	77046	79776 x 2	68468 x 2
CCX 160 - 60 - 15	4	121755 x 2	123358	77046	79776 x 2	68468 x 2
CCX 120-75-5	5	121755	123357	77046	79776	68468
CCX 120-75-10	5	121755	123357	77046	79776	68468
CCX 120 - 75 - 15	5	121755	123357	77046	47842	68468
CCX 140 - 75 - 5	6	121755 x 2	123359	77046	79776 x 2	68469 x 2
CCX 140 - 75 - 10	6	121755 x 2	123359	77046	79776 x 2	68468 x 2
CCX 140 - 75 - 15	6	121755 x 2	123359	77046	79776 x 2	68468 x 2
CCX 120 - 90 - 5	6	121755 x 2	123357	77046	79776 x 2	68469 x 2
CCX 120 - 90 - 10	6	121755 x 2	123357	77046	79776 x 2	68468 x 2
CCX 120 - 90 - 15	6	121755 x 2	123357	77046	47842 x 2	68468 x 2
CCX 140 - 90 - 5	6	121755 x 2	123359	77046	79776 x 2	68469 x 2
CCX 140 - 90 - 10	6	121755 x 2	123359	77046	79776 x 2	68469 x 2
CCX 140 - 90 - 15	6	121755 x 2	123359	77046	79776 x 2	68468 x 2
CCX 160 - 90 - 10	6	121755 x 2	123358	77046	79776 x 2	68469 x 2
CCX 160 - 90 - 15	6	121755 x 2	123358	77046	79776 x 2	68469 x 2

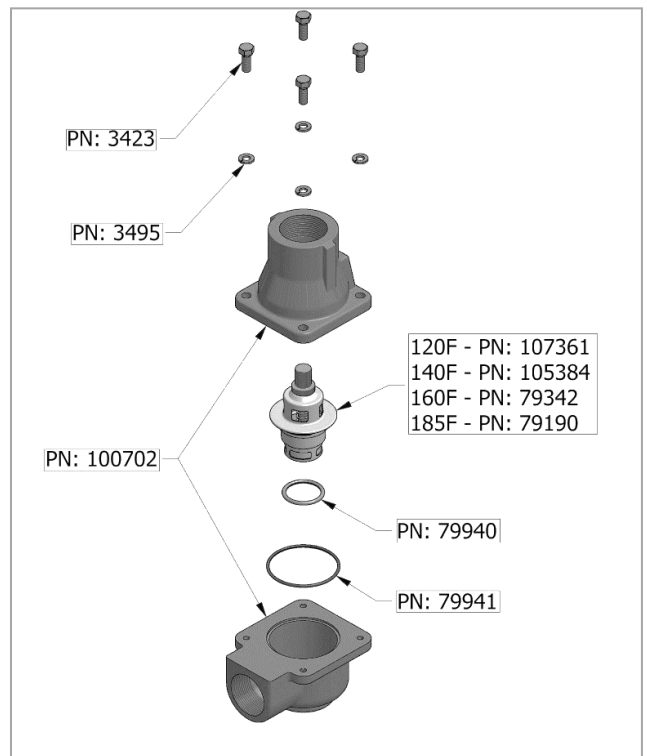
AMOT Temperature Control Valve Assembly

(Use the AMOT Temperature Control Package Part Numbers on previous page for required assembly components)

2" BOB AMOT VALVE



1" & 1 1/2" CM AMOT VALVE



Part Number	Component Description	TEMPERATURE CONTROL PACKAGE PART NUMBER											
		123357	123358	123359	123885	123886	123887	123888	123889	123890	123891	123892	123893
105383	ELEMENT,VALVE AMOT 120 DEG FOR BOB	•											
105382	ELEMENT,VALVE AMOT 140 DEG FOR BOB	•		•									
79987	ELEMENT,VALVE AMOT 160 DEG FOR BOB		•	•									
79988	ELEMENT,VALVE AMOT 185 DEG FOR BOB		•										
107361	ELEMENT,VALVE AMOT 120 DEG FOR CM				•	•	•	•	•	•			
105384	ELEMENT,VALVE AMOT 140 DEG FOR CM				•	•	•						
79342	ELEMENT,VALVE AMOT 160 DEG FOR CM						•	•	•	•	•	•	•
79190	ELEMENT,VALVE AMOT 185 DEG FOR CM									•	•	•	•
100127	O-RING,ELEMENT AMOT FOR 2 BOB	•	•	•									
79940	O-RING,ELEMENT AMOT FOR 1 CM				•	•	•	•	•	•	•	•	•
100128	SEAL,HOUSING AMOT FOR 2 BOB	•	•	•									
79941	SEAL,HOUSING AMOT FOR 1 CM				•	•	•	•	•	•	•	•	•

Replacement Part Numbers
(By product configuration)

Item No.	Description	Product Configuration / Part No.							
		1A	1B	2	3A	3B	4	5	6
1	CLAMP, HEAT EXCHANGER INNER	105848	105848	105848	105848	105848	105848	105848	105848
	CLAMP, HEAT EXCHANGER OUTER	105849	105849	105849	105849	105849	105849	105849	105849
2	CLAMP, SURFACE MOUNT THERMOSTAT 1	123900	123900	123900	-	-	-	-	-
	CLAMP, SURFACE MOUNT THERMOSTAT 1 1/2	-	-	-	-	123899	-	-	-
	CLAMP, SURFACE MOUNT THERMOSTAT 2	-	-	-	122990	-	122990	122990	122990
3	COVER ,HX FLANGE CCX 7.5 OD X 3/16 SA36	124616	124616	124616	124616	124616	-	124616	-
4	EXCHANGER, HT DW AIC COBREX 30 GPM	121754	121754	-	-	-	-	-	-
	EXCHANGER, HT DW AIC COBREX 60 GPM	-	-	121755	121755	121755	121755	121755	121755
5	GASKET,COMPANION FLANGE 3	-	-	-	-	-	3570	-	3570
6	GASKET,SILICONE 1/4 X 3 3/4 X 27 1/4	114651	114651	114651	114651	114651	114651	114651	114651
7	GAUGE, THERMOMETER 0-250 F WIKA #30025D206G4 A5300	78396	78396	78396	78396	78396	78396	78396	78396
8	HEADER,STEAM CCX DUAL 3 X 3 X 6 FLANGED	-	-	-	-	-	124547	-	124547
9	THERMOSTAT, HONEYWELL #L4006A1678 100-240 DEG	57432	57432	57432	57432	57432	57432	57432	57432
10	THERMOSTAT, SURFACE 190F SELCO #OA-190-LFP-96 8 FT LEAD	123865	123865	123865	123865	123865	123865	123865	123865
11	VALVE, BALL 1 1/2 VIEGA #79115 BRONZE PRESS LEAD FREE	124406	124406	124406	-	-	-	-	-
	VALVE, BALL 2 VIEGA #79845 BRONZE PRESS LEAD FREE	-	-	-	123909	123909	123909	123909	123909
12	VALVE,BALL 2 WATTS #LFFBV-3C BRASS THREADED 600 WOG	-	-	-	-	-	-	-	122397
13	VALVE, CHECK 1 1/2 VIEGA #79055 BRONZE PRESS LEAD FREE	123203	123203	123203	-	-	123203	-	123203
	VALVE, CHECK 2 VIEGA #79060 BRONZE PRESS LEAD FREE	-	-	-	123204	123204	-	123204	123204
14	VALVE, SOLENOID HOT 1 ASCO #8220G25 120V	-	76229	-	-	-	-	-	-
	VALVE, SOLENOID 1 1/2 ASCO #8220G29 120V	75611	-	75611	-	75611	-	-	-
	VALVE, SOLENOID 2 ASCO #8220G031 120V	-	-	-	77046	-	77046	77046	77046
15	WELL, THERMOSTAT 1/2 X 3 LONG HONEYWELL #121371E STAINLESS.	120072	120072	120072	120072	120072	120072	120072	120072

Replacement Part Numbers (Cont.)

ISOLATION GATE VALVES		
16	VALVE, GATE 3 4E 125# CAST IRON FLANGED	105272
PRESSURE RELIEF VALVES		
17	VALVE, PRESSURE RELIEF 3/4 WATTS #174-A 150 PSI	43084
	VALVE, PRESSURE RELIEF 1 WATTS #174-A 150 PSI	79776
	VALVE, PRESSURE RELIEF 1 1/4 WATTS #174-A 150 PSI	47842
STEAM TRAPS		
18	TRAP, STEAM 3/4 HOFFMAN #404200 F&T FT015H-3 15 PSI MAX	68466
	TRAP, STEAM 1 1/4 HOFFMAN #404220 F&T FT015H-5 15 PSI MAX	68467
	TRAP, STEAM 1 1/2 HOFFMAN #401626 F&T FT015H-6 15 PSI MAX	68468
	TRAP, STEAM 2 HOFFMAN #401629 F&T FT015H-8 15 PSI MAX	68469
TEMPERATURE CONTROL VALVES		
19	VALVE, BODY 1 AMOT #1CMBT00006 BRONZE	79939
	VALVE, BODY 1 1/2 AMOT #1-1/2CMLT00006 BRONZE	123895
	VALVE, BODY 2 AMOT #2BOL2T00069	123896
MISCELLANEOUS CONTROLS		
-	ENCLOSURE, NEMA 4X 8 X 6 X 6 ADALET #23370	119154
-	FUSE, MDA 10 AMP BUSS 250V	76267
-	FUSEHOLDER, PANEL TYPE #HTB-28I	5613
-	GRIP, CORD 1/2 NPT X 0.24-0.47 CORD MCMaster-CARR #69915K53	109700
-	LIGHT, INDICATOR AMBER SELECTA #SL53216-6 120V	70567
-	LUG, GROUND ILSCO #TA-6-S	48341
-	SWITCH, TOGGLE SPST HUBBELL #11 20 AMP	5684
-	WIRE, #16-4 TYPE SEOW SEOPRENE 105 4-CONDUCTOR	109703