

REPLACEMENT PARTS LIST

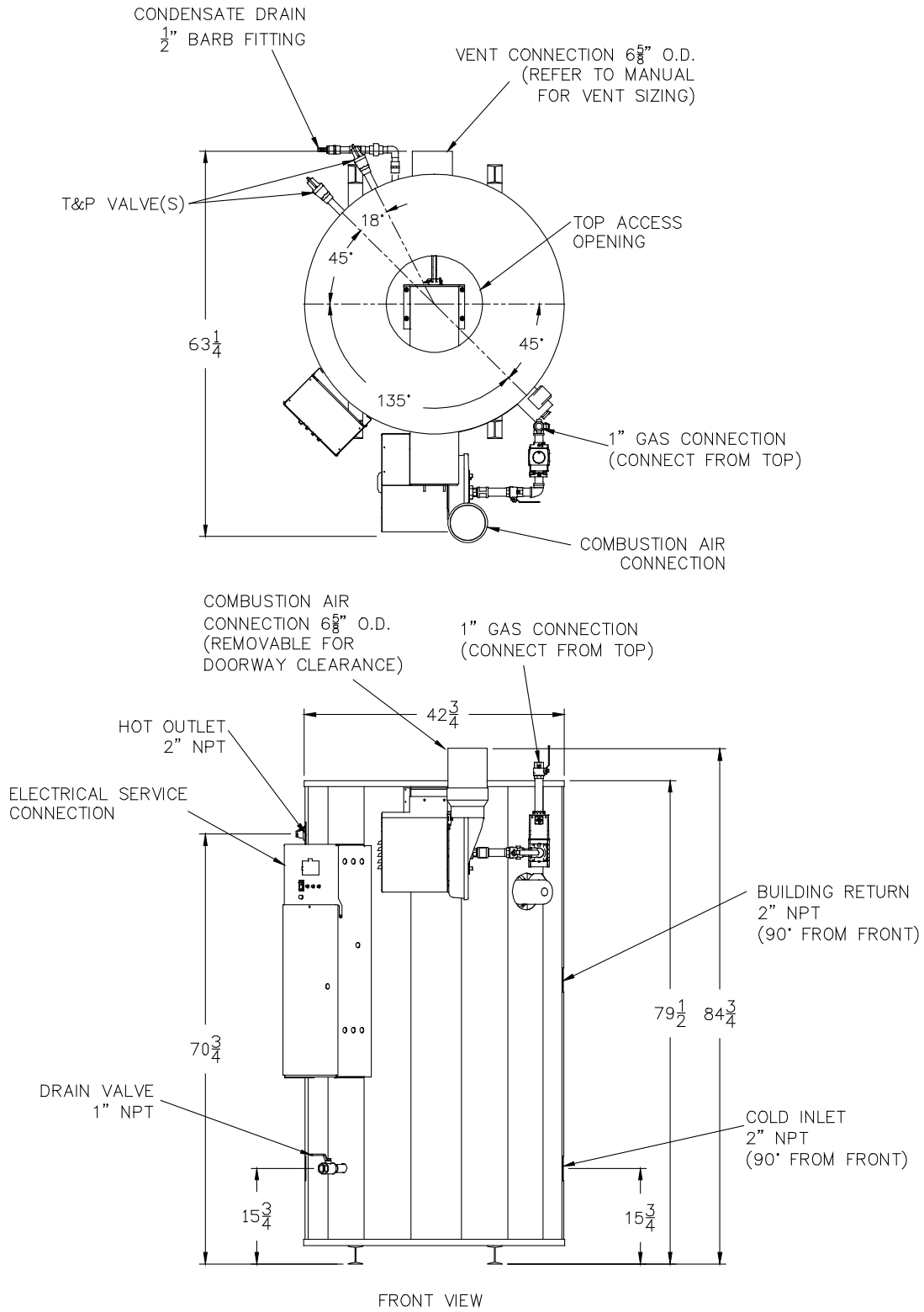
**POWER VTX™ Condensing Gas Water Heaters
500, 750 and 1000 MBH**

(Please Have Model and Serial Number When Ordering Parts)



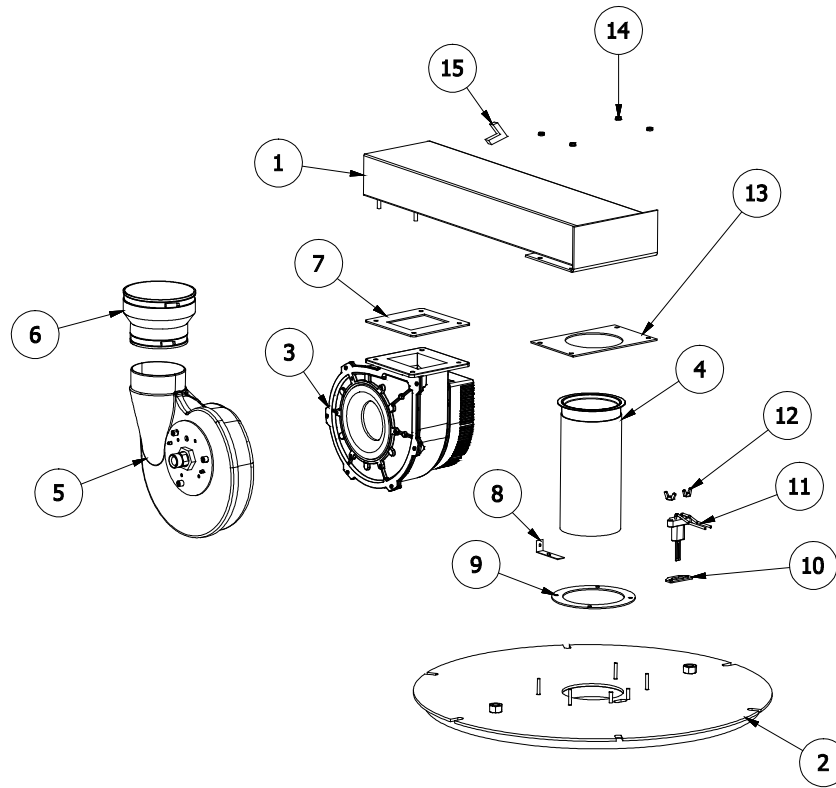
Contents	Page
Typical Power VTX Construction	2
Blower and Burner Assembly	3
Control Panel Components	4
Gas Train Assembly	5
Drain Valve – T & P Relief Valve – Integral Circulating Pump Assembly	6
Condensate Drain Trap & Optional Condensate Neutralizer	6

TYPICAL POWER VTX CONSTRUCTION



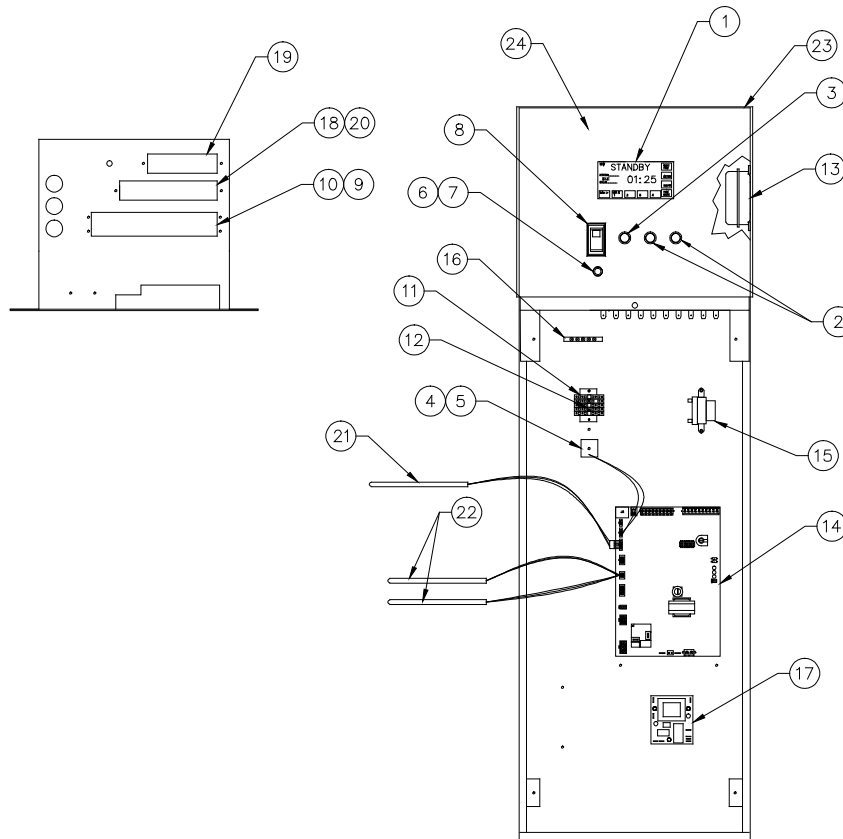
MODEL 500 L 225 A-PVX
MODEL 750 L 225 A-PVX
MODEL 1000 L 225 A-PVX

BLOWER & BURNER ASSEMBLY
(Optional components may not be shown)



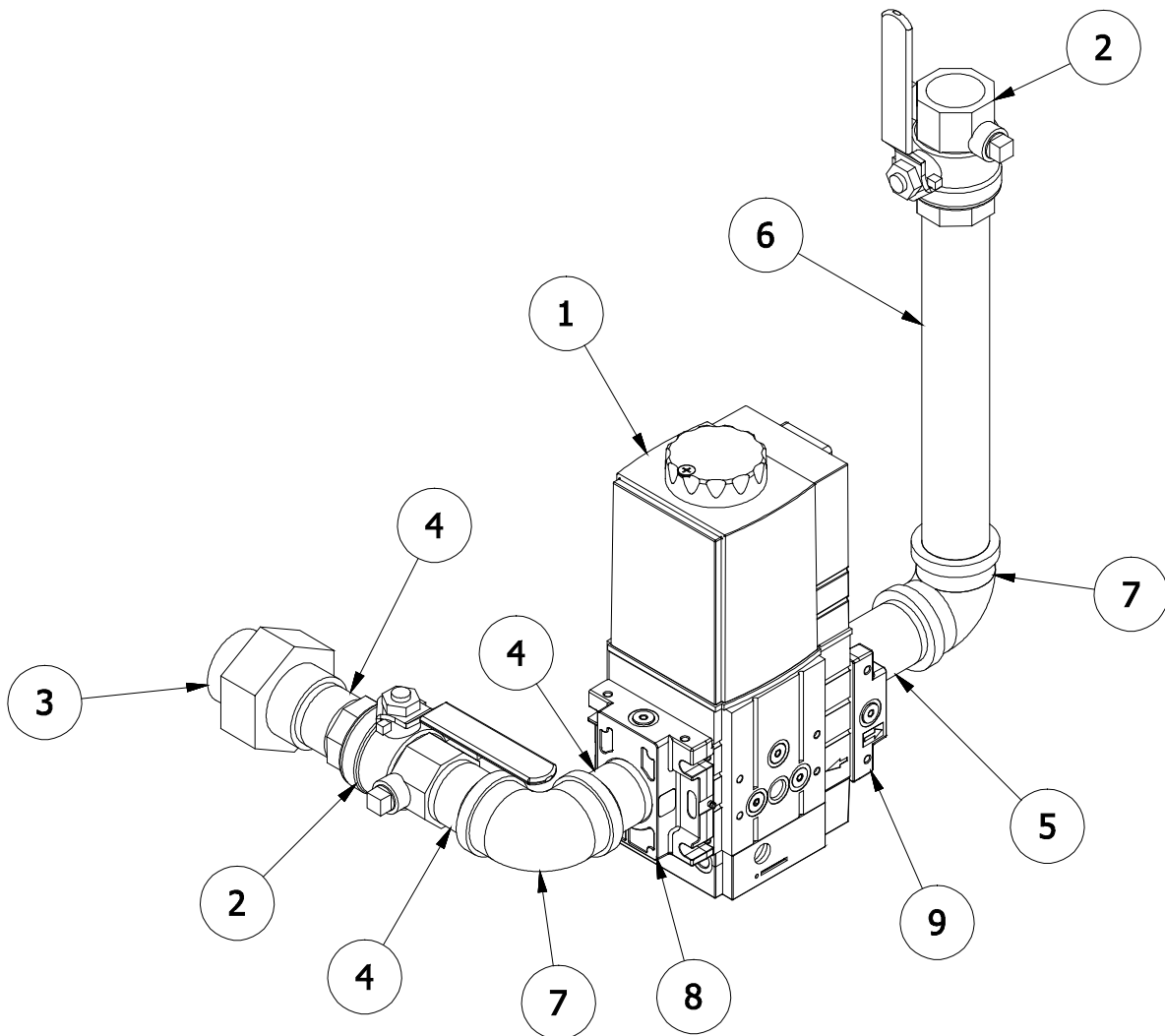
ITEM	DESCRIPTION / MODEL	50 L	75 L	100 L
1	ASSY,TRANSITION BURNER/BLOWER PVX G1G170	126854	126854	-
	ASSY,TRANSITION BURNER/BLOWER PVX G3G200	-	-	126859
2	ASSY, BULKHEAD PVX W/INSULATION	126104	126104	126104
3	BLOWER, EBMPAPST #55600.01010 G1G170-AB05-20	126977	126977	-
	BLOWER, EBMPAPST #55600.03051 G3G200-GN26-01	-	-	126337
4	BURNER, WORGAS #PRX0195 140 X 310 MM	126852	126852	126852
5	INTAKE,AIR DUNGS WHIRLWIND #257178	126863	126863	-
	INTAKE,AIR DUNGS WHIRLWIND #255951	-	-	126864
6	ADAPTER,FLEXIBLE RUBBER 6 X 4	126850	126850	-
	ADAPTER,FLEXIBLE RUBBER 6 X 5	-	-	126849
7	GASKET,BLOWER OUTLET 5.500 SQUARE AMORIM #CR-55R 1/8 CORK	126866	126866	-
	GASKET,BLOWER OUTLET 7.100 SQUARE AMORIM #CR-55R 1/8 CORK	-	-	126867
8	TAB,BURNER GROUNDING	128315	128315	128315
9	GASKET,FLANGE BURNER 1/8 232 CRANEGLAS 5.750 ID	126509	126509	126509
10	GASKET, IGNITOR 1/8 232 CRANEGLAS Y271	111791	111791	111791
11	IGNITER, HOT SURFACE NORTON #271Y MB478843	107774	107774	107774
12	NUT, WING 1/4 X 20 NC STEEL ZINC PLT	3475	3475	3475
13	GASKET,FLANGE BURNER 1/8 232 CRANEGLAS 5.375 ID X 6.324 OD	126882	126882	126882
14	NUT,FLANGE LOCK 5/16 X 18 NC	3476	3476	3476
15	ELL, 1/8 MPT X 1/4 COMPRESSION	6493	6493	6493

CONTROL PANEL COMPONENTS



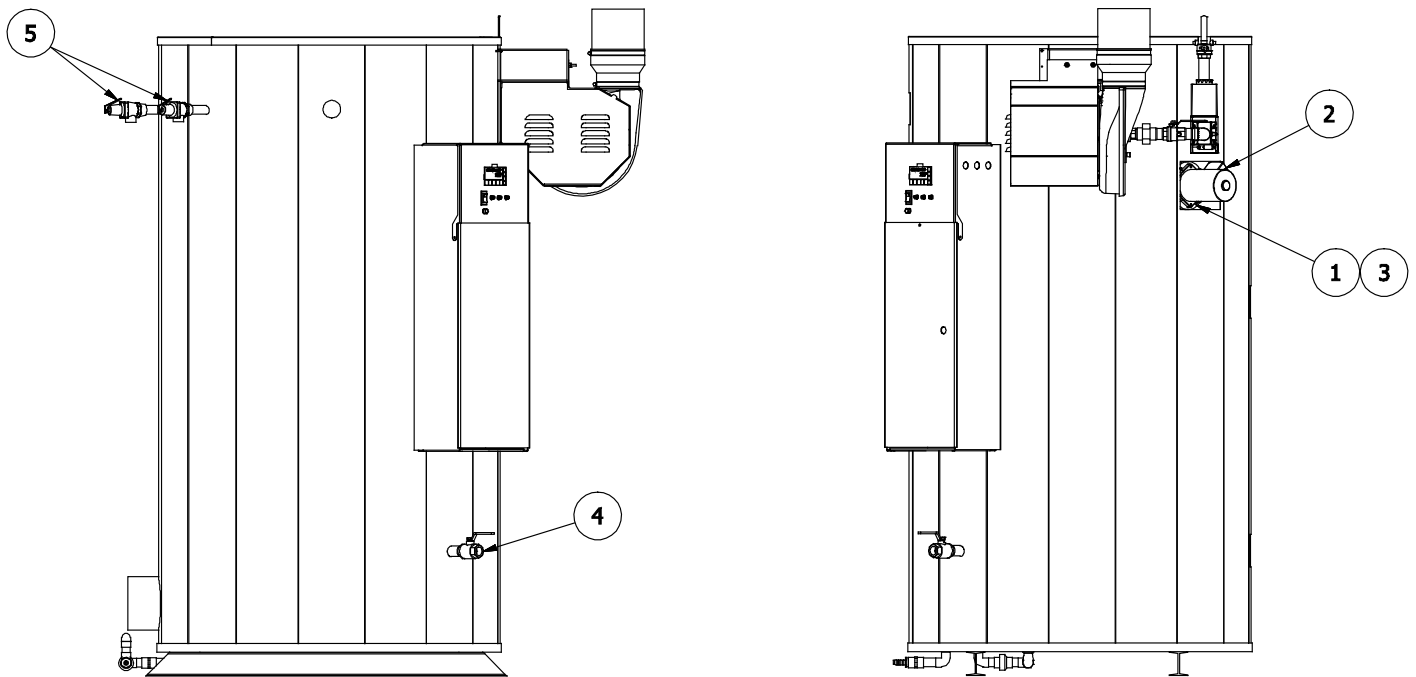
ITEM	DESCRIPTION / MODEL	50 L	75 L	100 L
1	HMI,BTCII #106502 TEKMAR	126070	126070	126070
2	SWITCH, SPST N.C. MOMENTARY CONTACT SELECTA #SS229	70573	70573	70573
3	SWITCH, SPST N.O. MOMENTARY CONTACT SELECTA #SS228	75908	75908	75908
4	CARD CABLE FENWAL #05-900001-018	126537	126537	126537
5	PROFILE ID CARD FENWAL #05-900000 WATER HEATER	126536	126536	126536
6	FUSEHOLDER, PANEL TYPE #HTB-28I	5613	5613	5613
7	FUSE, MDA 10 AMP BUSS 250V	76267	76267	76267
8	SWITCH, CARLING #LTILA51-6S-BL-AM-NBL-125N/INDP AMBER LIGHT	70565	70565	70565
9	JUMPER, ELEC-TRON #ESJ-154	122746	122746	122746
10	BOARD, TERMINAL ELEC-TRON #PV13080 20 POLE FEED	122346	122346	122346
11	BLOCK, TERMINAL WAGO #280-833 600V 20A DIN	122319	122319	122319
12	JUMPER, TERMINAL BLOCK WAGO #280-402 23A	122320	122320	122320
13	SWITCH, AIR PROVING CLEVELAND CONTROLS #NS2-1166-01 0.50 WC	121444	121444	121444
14	FLAME CONTROL PIM FENWAL	126088	126088	126088
15	TRANSFORMER, STEP DOWN TRIAD #F5-24 115VAC 24VCT 12.0VA	126865	126865	126865
16	BAR, GROUND SQUARE D #PK5GTA 5 POLE	122321	122321	122321
17	LWCO, PROTODESIGN #LW-3-C-1-A-03 120V	113915	113915	113915
18	BOARD, TERMINAL ELEC-TRON #PV13140 10 POLE FEED THRU TYPE	122595	122595	122595
19	BOARD,TERMINAL ELEC-TRON #ES-70X PV04075 6 POLE FEED THRU TYPE	103259	103259	103259
20	JUMPER, ELEC-TRON #ESJ-145	102467	102467	102467
21	HIGH LIMIT/UPPER OPERATOR THERMISTOR SENSOR #91769 DUAL	126090	126090	126090
22	LOWER OPERATOR/FLUE TEMP THERMISTOR SENSOR #91768 SINGLE	126089	126089	126089
23	ASSY,ENCL 6 X 12 X 38 PVX PIM/BTC	126784	126784	126784
24	FACE PLATE DECAL	127033	127033	127033

GAS TRAIN ASSEMBLY



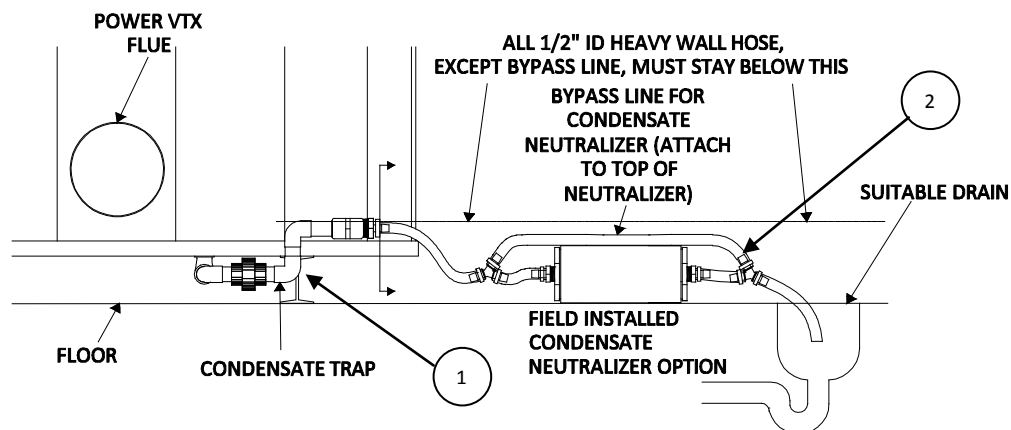
ITEM	DESCRIPTION / MODEL	50 L	75 L	100 L
1	VALVE,GAS DUNGS #259487 MBC SE 1000/602L S02 120VAC	109884	109884	109884
2	VALVE,SHUTOFF 1 GAS COMBU #55350 MODEL #840S	52823	52823	52823
3	UNION, BLACK 1	5929	5929	5929
4	NIPPLE, BLACK 1 X 2	6011	6011	6011
5	NIPPLE, BLACK 1 X 3	6012	6012	6012
6	NIPPLE, BLACK 1 X 9	6020	6020	6020
7	ELL,BLACK 90DEG 1	6163	6163	6163
8	SHUTTER,FLANGE 1 DUNGS #255132	126862	126862	126862
9	FLANGE,VALVE 1 DUNGS #D221999	110308	110308	110308

DRAIN VALVE – T & P RELIEF VALVE – INTEGRAL CIRCULATING PUMP ASSEMBLY



ITEM	DESCRIPTION / MODEL	50 L	75 L	100 L
1	FLANGE, MTG BRONZE INTEGRAL PUMP PL 2 SIDE RAD SB584 UNS	119301	119301	119301
2	MOTOR, PUMP B & G #1BL113 MODEL #PL-75 115 VAC W/IMPELLER	120090	120090	120090
3	O-RING, GASKET 4.25 OD X 3.50 ID X .375 CS EPDM 80 DUROMETER	122423	122423	122423
4	VALVE,BALL 1 SMITH-COOPER #01728135K BRASS THREADED	123333	123333	123333
5	VALVE, T & P RELIEF 1 WATTS #140X-6 150 PSI 670 M 3085	709	709	709

CONDENSATE DRAIN TRAP & OPTIONAL CONDENSATE NEUTRALIZER



ITEM	DESCRIPTION / MODEL	50 L	75 L	100 L
1	ASSY, CONDENSATE DRAIN TRAP PVX 225 GAL 3/4 PVC	128340	128340	128340
2	ASSY, CONDENSATE DRAIN NEUTRALIZATION 1/2	121777	121777	121777