

Installation Instructions – Supplemental

INSTALLATION OF VT CHAMBER RETROFIT

This document covers the recommended sequence of actions to assist in the proper installation of the vertical tube chamber.

IMPORTANT:

Call PVI Technical Service at 1-800-433-5654 for additional instruction. Installation and service must be performed by a qualified installer or service agency.

1. Drain and flush tank.
2. Remove the tank from old combustion chamber.
3. Visually check that all retrofit components are intact and no damage has occurred during transit. Review the list of materials for this retrofit, and ensure that all materials are on hand.
4. Ensure the blanket insulation on top of the refractory bucket does not extend into the groove.
5. Apply 1/2" bead of Pyrolite EZ-Fill to joggle.
6. Install tank into new chamber. Ensure that cold inlet is located at 90 deg counter clock wise from the front nozzle on the chamber.
IMPORTANT: Ensure that the connection between the tank and chamber is properly sealed. Make sure that it settles, then strap in place.

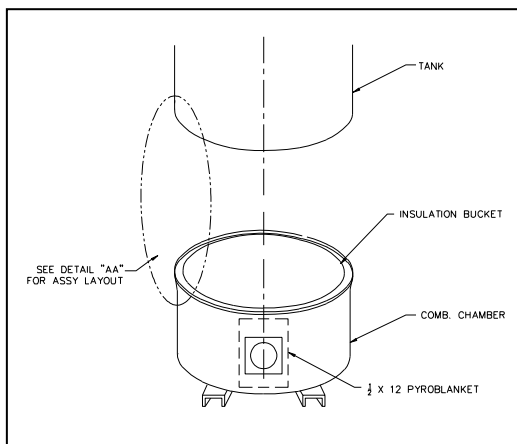


7. Only after the tank is in place, cut hole in insulation insert for burner blast tube. Use a hole cutter or thin blade saw and spray bottle of water to wet the insulation to contain dust particles. Cutting of Refractory must be handled with care to ensure level opening in insulation. The line of sight of the operator cutting the hole should be at the same level with the cut line for the hole on the refractory insert. Caution must be observed not to blow dust toward others.

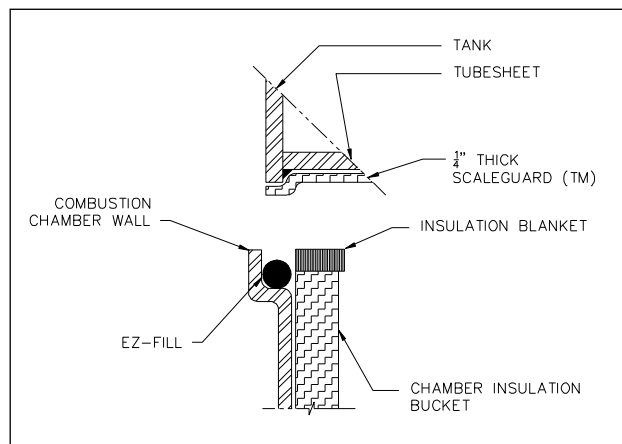


8. Inspect the hole and plug the void between the chamber and insulation with Pyroblanket.
9. Apply EX-Fill compound around inside of nozzle at the edge of the insulation.
10. Re-install baffles.
11. Install burner. Refer to Heater I&M manual for Start-up procedure.
12. Engage a factory-authorized service representative to test, inspect, and adjust the Water Heater and components, and to perform Start-up services. Perform installation and Start-up checks according to manufacturer's written instructions.

WARNING: If the information on the appliance, the supplied manual(s) and retrofit instructions is not followed exactly, a fire, explosion or exposure to hazardous materials may result causing property damage, personal injury or loss of life.



CHAMBER DETAIL



NOZZLE DETAIL