

Installation Instructions – Supplemental

REPLACING WHITE-RODGERS with DUNGS GAS VALVE on PLATINUM® WATER HEATERS

IMPORTANT: INSTALLATION AND SERVICE MUST BE PERFORMED BY QUALIFIED SERVICE PERSONNEL. THESE INSTRUCTIONS ARE TO SUPPLEMENT THE INSTALLATION & MAINTENANCE MANUAL PROVIDED WITH YOUR PLATINUM WATER HEATER.

WARNING: High Voltage Shock Potential - Turn off all electrical service to the appliance prior to installation. Following, close any opened panel covers before restoring electrical service to the appliance. All wires and terminals carry High Voltage (120V). If the electrical service is not turned off and terminals are touched, a dangerous shock will occur that can result in personal injury or death.

WARNING: When servicing the controls, use exact, factory authorized replacement parts. Label all wires prior to disconnection. Verify proper operation after servicing. Incorrect parts substitution and wiring errors can cause damage, improper operation, fire, carbon monoxide and other unexpected and unsafe conditions that could result in property damage, personal injury, fire, explosion, exposure to hazardous materials or death.

INSTRUCTIONS

The following process details the conversion:

1. Disconnect the electrical power.
2. Turn off the gas supply.
3. Remove lower front jacket cover to expose the burner and gas train assembly.
4. Remove the existing White-Rodgers gas valve and discard (Fig. 1)
5. Remove the existing orifice from the gas pipe union located downstream of the gas valve.
6. Install the new Dungs Gas Valve (PN 109509) with solenoid in upright position facing slightly forward to allow for adjustment.
7. Connect the Dungs Wiring Harness (PN 110697) to the control enclosure and plug into gas valve (Brown wire is hot, Blue is neutral & Yellow/Green is ground).
8. Open the Maximum restrictor 2 full turns CCW.
9. Turn on the gas and electricity.
10. After firing burner, adjust the Maximum restrictor to obtain O₂ of about 5-6%. (Fig. 2)

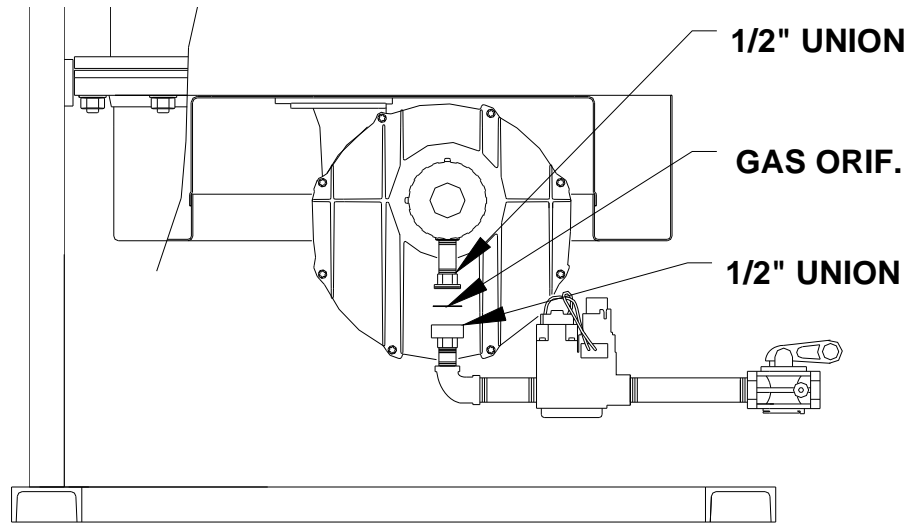


FIG 1 WHITE-RODGERS VALVE AND ORIFICE

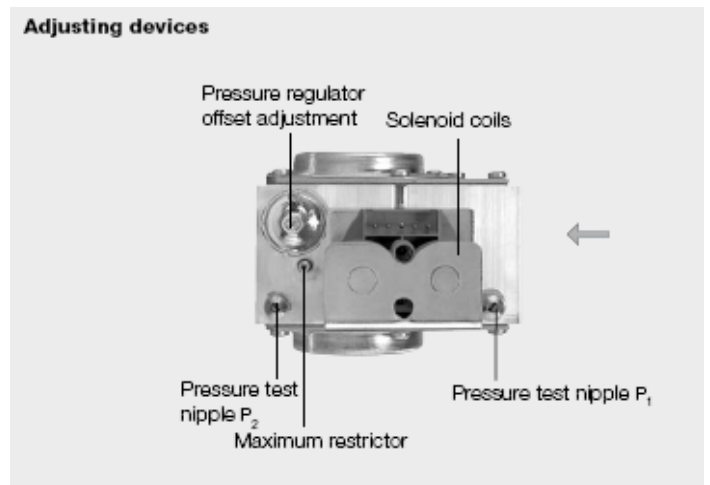


Fig. 2 DUNGS GAS VALVE