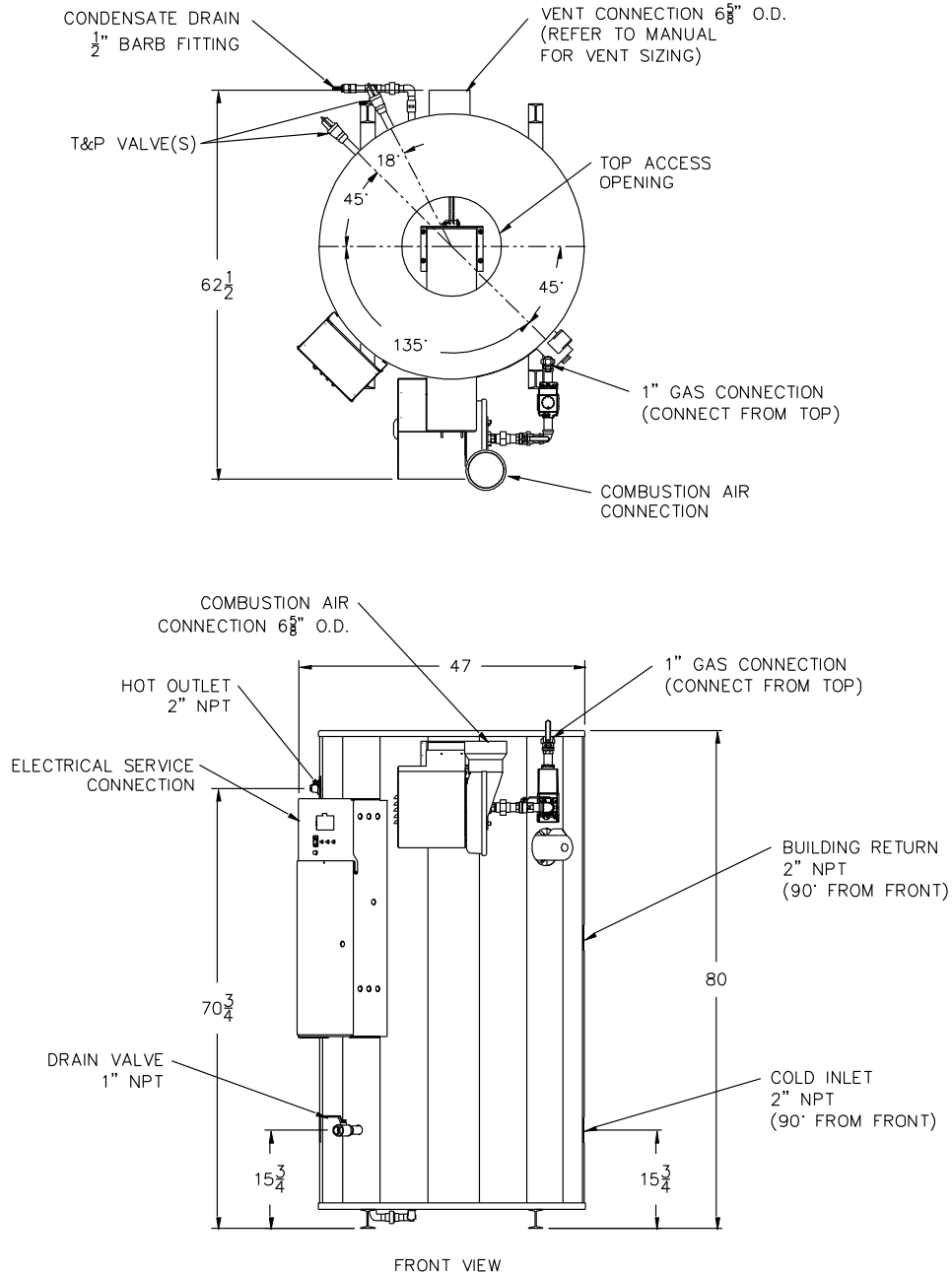
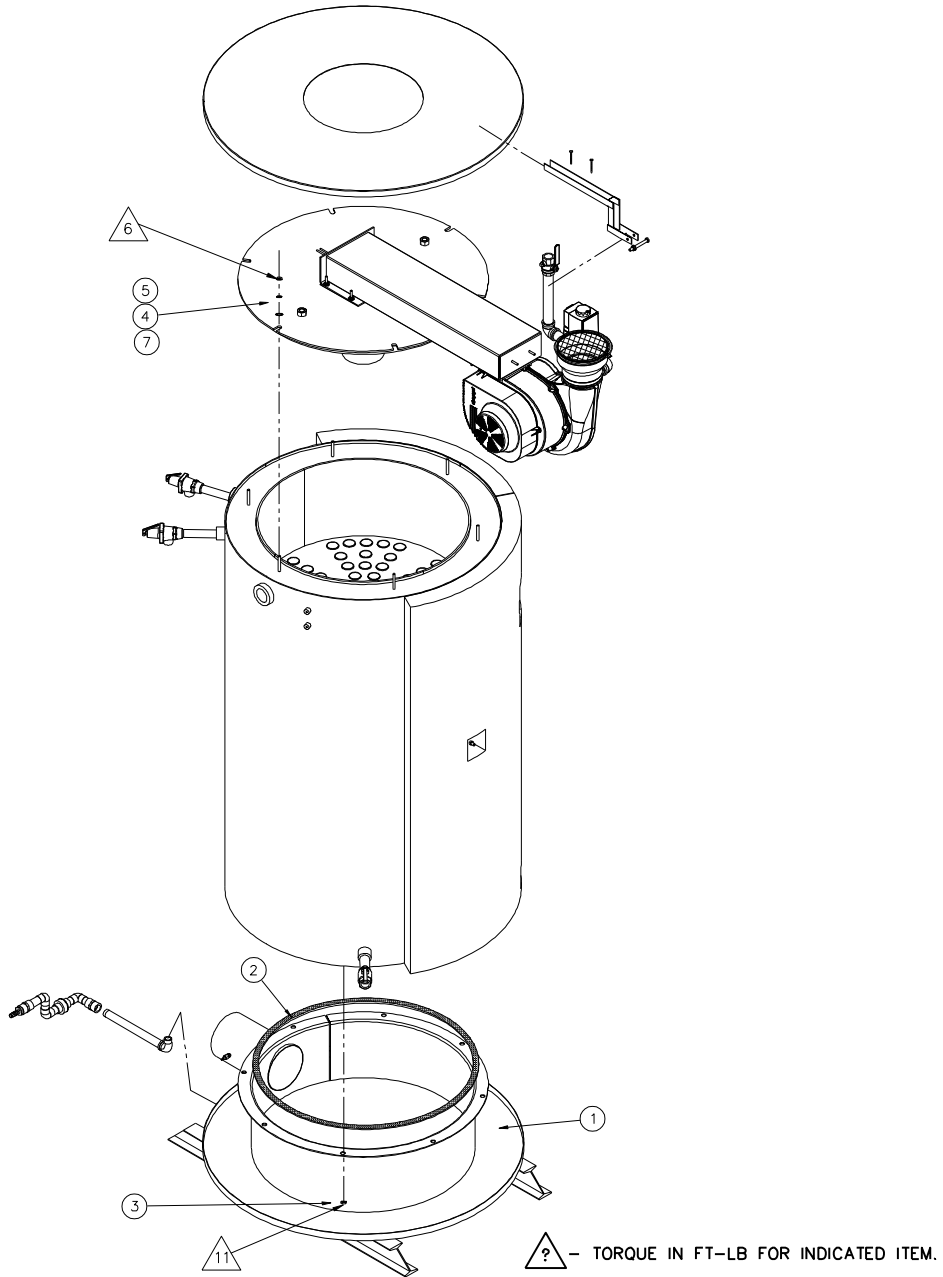


Installation Instructions - Supplemental

REPLACING THE FLUE BASE ON **POWER VTX®** CONDENSING GAS WATER HEATERS



The following instructions are included to assist in the proper replacement of the Flue Base assembly. Refer to the Installation & Maintenance Manual for proper adjustments, settings, startup procedures and safety precautions. Installation and service must be performed by a qualified installer or service agency.



Part Number **138634 KIT, FLUE BASE FLANGED PVX FOR FIELD REPLACEMENT** is required. The following parts are included:

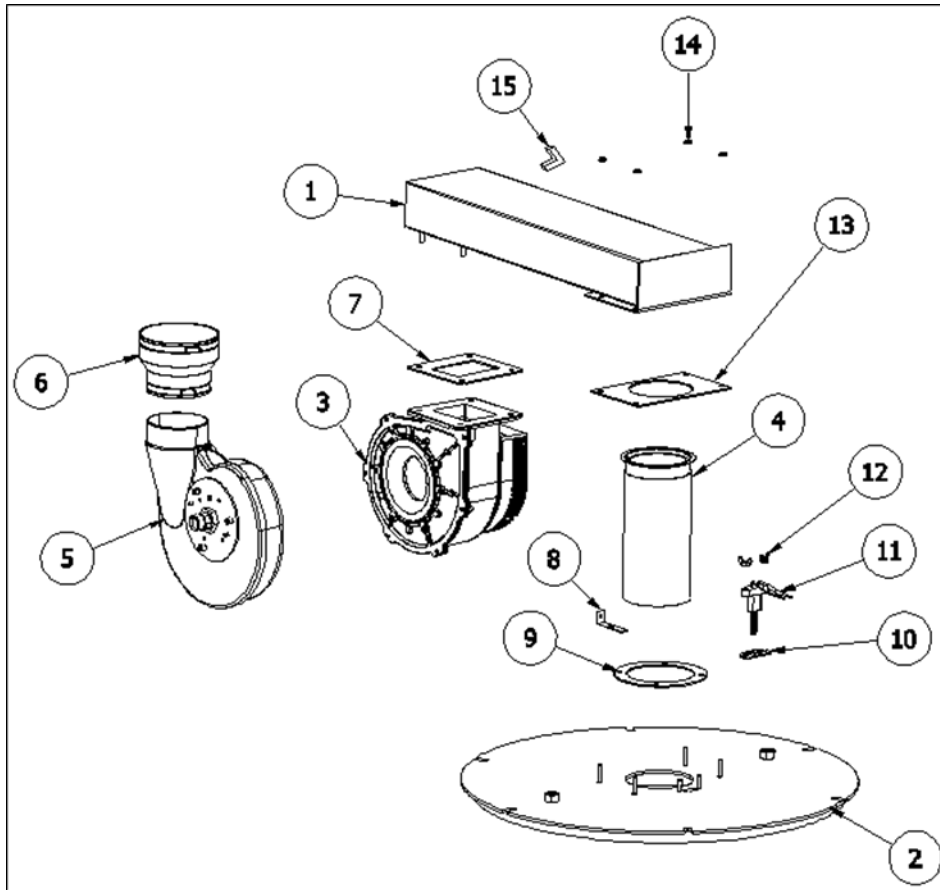
ITEM	PN	DESCRIPTION	QTY	UM
1	141315	BASE,FLUE FLANGED PVX 10H X 33 1/2 OD REV16	1	EA.
2	128428	STRIP, ADHESIVE 1/4 X 3/4 X 102 IN SILICONE FOAM RUBBER	1	EA.
3	141498	NUT, LOCK FLANGE 5/16 X 18 NC NYLON INSERT	10	EA.
4	3499	WASHER, FENDER 3/8 PLT 1 1/2 OD	6	EA.
5	3506	WASHER, FLAT 5/16 ZINC PLT	6	EA.
6	138635	SHEET, INSTALLATION SUPPLEMENTAL PVX FLUE BASE REPLACEMENT	1	EA.
7	3476	NUT, LOCK FLANGE 5/16 X 18 NC	6	EA.
*	3415	BOLT, EYE 3/4 X 3/4 SHANK W/SHOULDER	2	EA.

* Not shown

INSTRUCTIONS

1. Drain and flush tank.
2. Shut off Electrical Power and Gas Supply.
3. Disconnect plumbing connections to tank.
4. Disconnect and label electrical connections to water heater.
5. Remove Top Pan and Blower & Burner Assembly:

Blower & Burner Assembly (Optional components may not be shown)



ITEM	DESCRIPTION	ITEM	DESCRIPTION
1	ASSY,TRANSITION BURNER/BLOWER PVX	9	GASKET,FLANGE BURNER
2	ASSY, BULKHEAD PVX W/INSULATION	10	GASKET, IGNITOR
3	BLOWER	11	IGNITER, HOT SURFACE
4	BURNER	12	NUT, WING 1/4 X 20 NC STEEL ZINC PLT
5	INTAKE, AIR	13	GASKET,FLANGE BURNER
6	ADAPTER,FLEXIBLE RUBBER	14	NUT,FLANGE LOCK 5/16 X 18 NC
7	GASKET,BLOWER OUTLET	15	ELL, 1/8 MPT X 1/4 COMPRESSION
8	TAB,BURNER GROUNDING		

6. There are two 3/4-10NC welded Hex Nuts on the top of the tank. Attached the eyebolts and use to lift the tank with proper rigging.
7. Locate and remove the 8 ea. nuts and washers that fasten the tank to the flange on the condensate pan.
8. Lift the tank just enough to slide the condensate pan from underneath.
9. Evenly apply the strip adhesive seal along the groove in the flue pan flange, overlapping the end.
10. Reposition the replacement flue pan underneath the tank (be sure to line up with vent piping) and lower tank studs through the flue pan flange.
11. Secure tank to flue pan using new fasteners and torque each to a maximum 11 FT-LB.
12. Reassemble removed materials and piping connections.
13. Check all fuel and plumbing connections for leaks.
14. Restart heater. Refer to the Installation & Maintenance Manual for proper adjustments, settings, startup procedures and safety precautions.