

EZ Plate® Dual Boiler Water Semi-Instantaneous Water Heater

Tank Series 215 Gal • AquaPLEX® Duplex Stainless Steel

Model Number	Amps @120V ①	A	B	Shipping Weight lbs
600-2 L 215A-TRBPDW	5	57	65	1280
900-2 L 215A-TRBPDW	5	57	65	1340
1200-2 L 215A-TRBPDW	5	57	65	1370
1800-2 L 215A-TRBPDW	7	57	75	1485
2400-2 L 215A-TRBPDW	7	57	75	1575
3000-2 L 215A-TRBPDW	7	57	75	1560
3600-2 L 215A-TRBPDW	11	54	72	1725
4500-2 L 215A-TRBPDW	11	54	72	1770

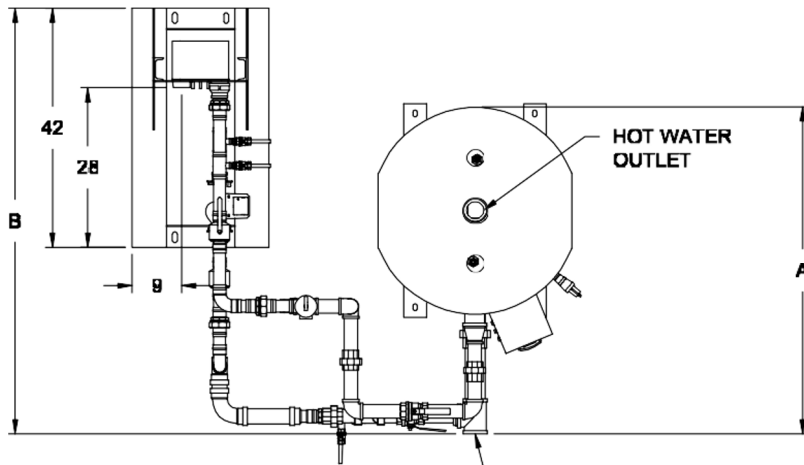
Refer to PV 8601, PV 8602 and PV 8603 for information on heat exchanger recoveries, pressure drop and boiler water flow requirements with various entering boiler water temperatures and domestic water temperatures.

Refer to PV 8600 for standard and optional equipment

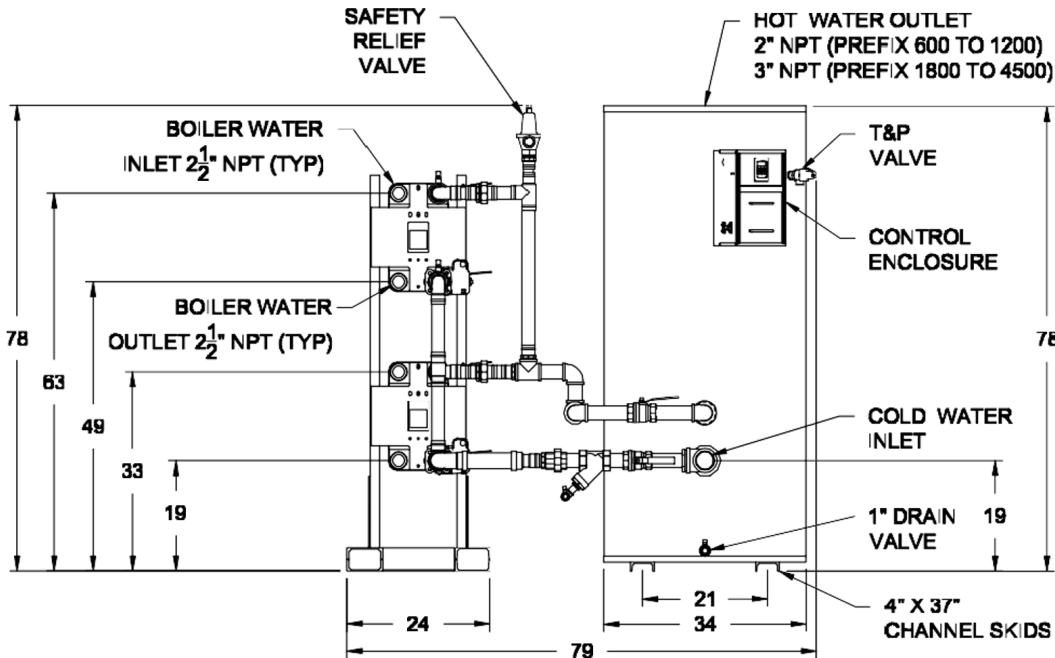
① Optional boiler water valve adds 2 amps total

Recommended service clearance is 18 inches on all sides.

Completed piping assembly is factory fit between the exchanger and tank and separated at unions (or flanges) for shipping. Tank and heat exchanger ship separately for field assembly to piping assembly. If using glycol, consult your representative.



COLD WATER INLET
2" NPT (PREFIX 600 TO 1200)
3" NPT (PREFIX 1600 TO 4500)



PVI reserves the right to change the design and specification without notice.

Hot Water Solutions

PVI Industries • Fort Worth, TX

© 2023 PVI