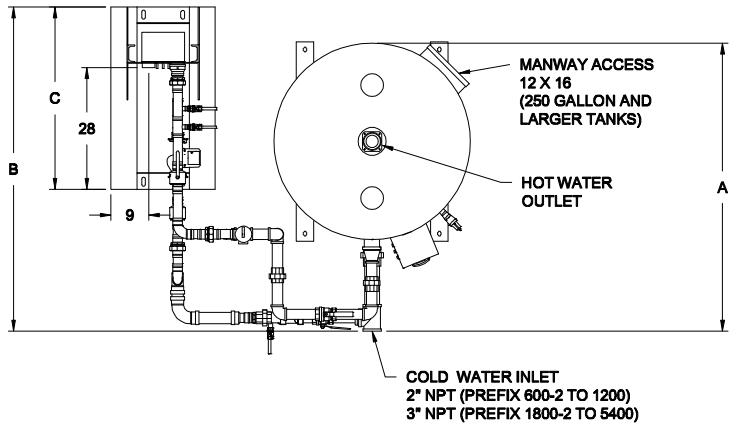


**AquaPLEX® Storage Tank (unlined duplex alloy)
with EZ PLATE® Dual Boiler Water Heat Exchanger - Double-wall
250 Gallon Tank Series - Dimensions**

Model No.	Amps @120V ①	A	B	C	Shipping Weight Lbs.
600-2 L 250A-TRBPDW	5	66	65	42	1330
900-2 L 250A-TRBPDW	5	66	65	42	1390
1200-2 L 250A-TRBPDW	5	66	65	42	1420
1800-2 L 250A-TRBPDW	7	66	75	42	1535
2400-2 L 250A-TRBPDW	7	66	75	42	1625
3000-2 L 250A-TRBPDW	7	66	75	42	1610
3600-2 L 250A-TRBPDW	11	63	72	42	1775
4500-2 L 250A-TRBPDW	11	63	72	42	1820
5400-2 L 250A-TRBPDW	13	67	85	51	1970

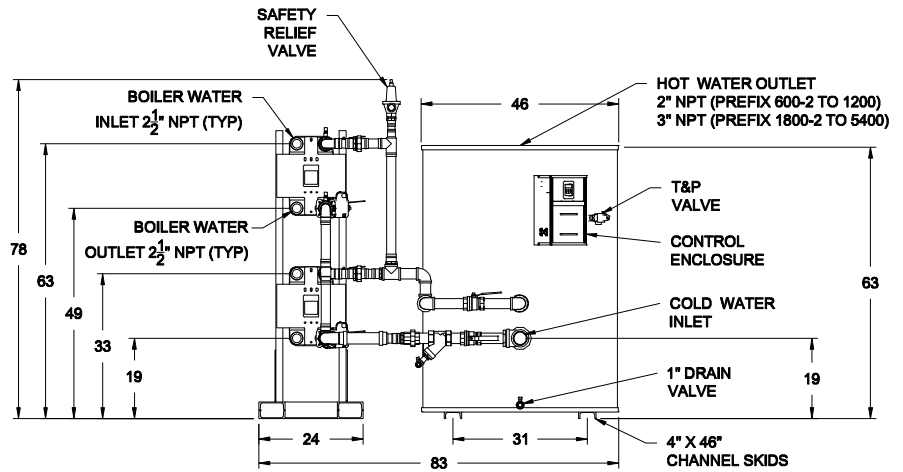


Refer to PV 8601, PV 8602 and PV 8603 for information on heat exchanger recoveries, pressure drop and boiler water flow requirements with various entering boiler water temperatures and domestic water temperatures.

Refer to PV 8600 for standard and optional equipment.

① Optional boiler water valve adds 2 amps total

Recommended service clearance is 18 inches on all sides.



Completed piping assembly is factory fit between the exchanger and tank and separated at unions (or flanges) for shipping. Tank and heat exchanger ship separately for field assembly to piping assembly.

PVI reserves the right to change the design and specification without notice.

PV 8656 09-2019



PVI Industries, LLC
Fort Worth, TX • (800) 784-8326 • www.pvi.com

