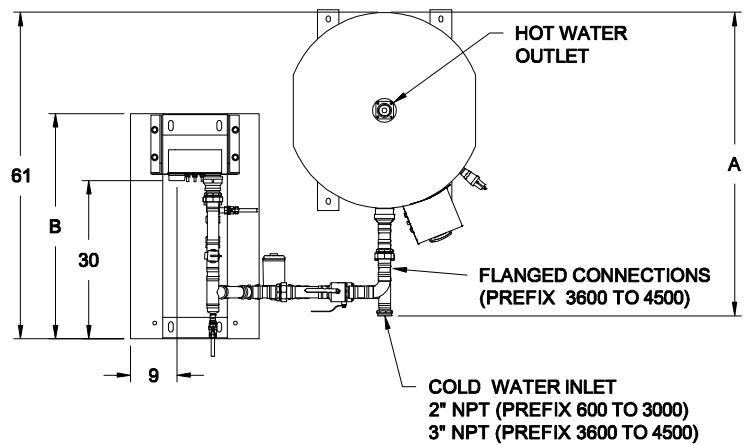


EZ PLATE® Boiler Water Semi-Instantaneous Water Heater with 150 Gallon AquaPLEX® (duplex stainless steel) Pressure Vessel Dimensions

Model No.	Amps @120V ①	A	B	Shipping Weight Lbs.
600 L 150A-TRBPDW	4	57	42	1055
900 L 150A-TRBPDW	4	57	42	1085
1200 L 150A-TRBPDW	4	57	42	1100
1800 L 150A-TRBPDW	5	57	42	1120
2400 L 150A-TRBPDW	5	57	42	1180
3000 L 150A-TRBPDW	5	57	42	1195
3600 L 150A-TRBPDW	8	63	42	1210
4500 L 150A-TRBPDW	8	63	51	1255

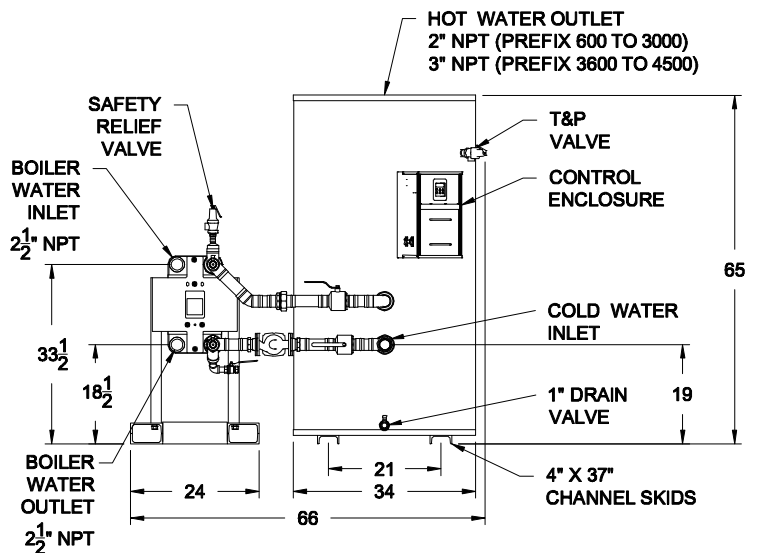


Refer to PV 8601, PV 8602 and PV 8603 for information on heat exchanger recoveries, pressure drop and boiler water flow requirements with various entering boiler water temperatures and domestic water temperatures.

Refer to PV 8600 for standard and optional equipment.

① Optional boiler water valve adds 2 amps

Recommended service clearance is 18 inches on all sides.



Completed piping assembly is factory fit between the exchanger and tank and separated at unions (or flanges) for shipping. Tank and heat exchanger ship separately for field assembly to piping assembly.

PVI reserves the right to change the design and specification without notice.

PV 8604 09-2019



PVI Industries, LLC
Fort Worth, TX • (800) 784-8326 • www.pvi.com

