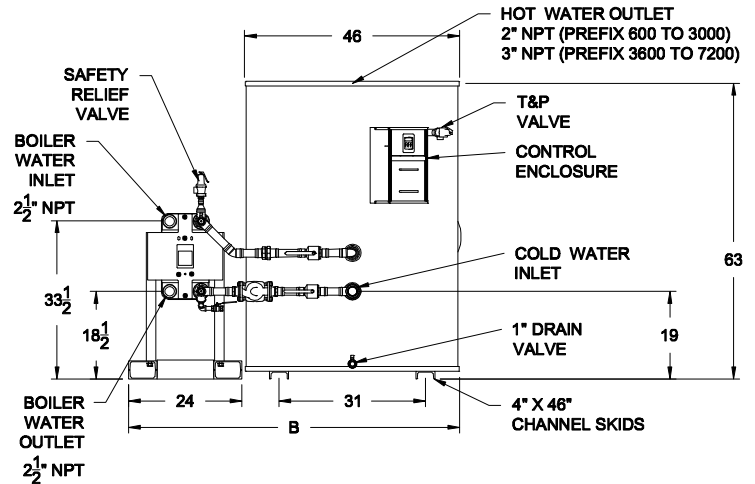
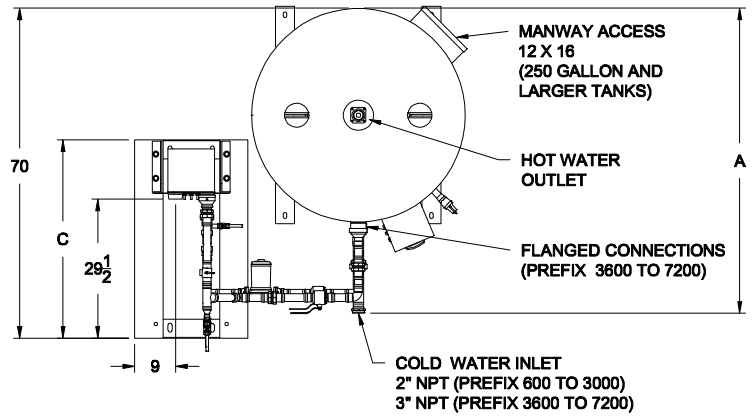


**AquaPLEX® Storage Tank (unlined duplex alloy)
with EZ PLATE® Boiler Water Heat Exchanger - Double-wall
250 Gallon Tank Series - Dimensions**

Model No.	Amps @120V ①	A	B	C	Shipping Weight Lbs.
600 L 250A-TRBPDW	4	65	70	42	1185
900 L 250A-TRBPDW	4	65	70	42	1215
1200 L 250A-TRBPDW	4	65	70	42	1230
1800 L 250A-TRBPDW	5	65	70	42	1250
2400 L 250A-TRBPDW	5	65	70	42	1310
3000 L 250A-TRBPDW	5	65	70	42	1325
3600 L 250A-TRBPDW	8	72	70	42	1340
4500 L 250A-TRBPDW	8	72	70	51	1385
5400 L 250A-TRBPDW	9	72	70	51	1460
7200 L 250A-TRBPDW	14	77	81	51	1620



Refer to PV 8601, PV 8602 and PV 8603 for information on heat exchanger recoveries, pressure drop and boiler water flow requirements with various entering boiler water temperatures and domestic water temperatures.

Refer to PV 8600 for standard and optional equipment.

① Optional boiler water valve adds 2 amps

Recommended service clearance is 18 inches on all sides.

Completed piping assembly is factory fit between the exchanger and tank and separated at unions (or flanges) for shipping. Tank and heat exchanger ship separately for field assembly to piping assembly.

PVI reserves the right to change the design and specification without notice.

PV 8607 09-2019



PVI Industries, LLC
Fort Worth, TX • (800) 784-8326 • www.pvi.com

