

# MAXIM • PACKAGED GAS WATER HEATER

## AquaPLEX® STORAGE TANK (UNLINED DUPLEX ALLOY)

### TANK SERIES 125 GALLON

MODEL NUMBER	20 L 125A-MXS	27 L 125A-MXS	40 L 125A-MXS	48 L 125A-MXG
GPH Recovery at 70° to 140°F ①	276	374	553	665
GPH Recovery at 40° to 140°F ②	192	262	387	465
Input Btu/h	199,000	270,000	399,000	480,000
* Min. inlet flow gas pressure " W.C.	4.5	4.5	4.5	4.5
* Max static gas pressure " W.C.	10.5	10.5	10.5	14
A Cold Inlet - NPT	2	2	2	2
B Hot Outlet - NPT	2	2	2	2
C Drain - NPT	1	1	1	1
D I - Beam Skids	3 x 34-1/2	3 x 34-1/2	3 x 34-1/2	3 x 34-1/2
E Overall Depth	45	45	45	53
F Overall Height	75	75	75	82
G Flue Outlet Diameter	5	6	7	8
H Gas Inlet - NPT	3/4	3/4	3/4	1
J Motor HP 120V, 1Ø, 60 Hz.	1/6	1/6	1/6	1/3
K Motor Amps	3	3	3	8
L Height to Outlet	65	65	65	73
M Height to Inlet	28	28	28	36
Approx. Shipping Weight - lbs	920	955	1000	1110

① Recoveries derived from DOE 10 CFR 431 testing requirements (ANSI Z 21.10.3 @ 70° to 140°F)

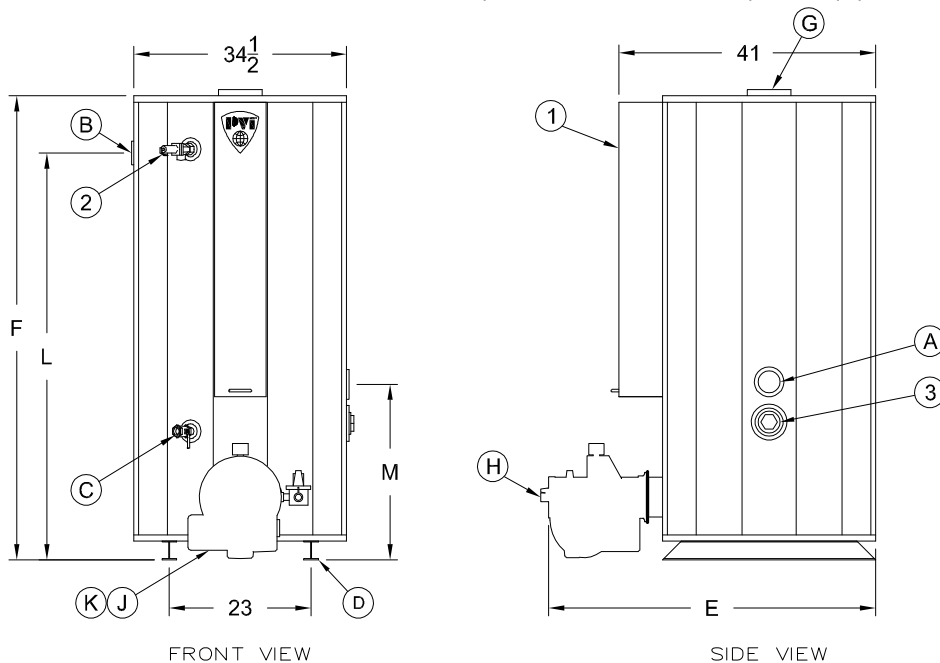
② Recoveries based upon 40°F entering water temperature

Models with suffix "MXS" are registered as low NOx water heaters in Texas.

\* The information presented is for natural gas 0.6 S.G. – For operation with propane (LP gas), consult the factory.

\* For gas pressures outside of this range, consult factory.

Dimensions are in inches unless otherwise specified. For standard and optional equipment, see form # PV 8127.



- 1. Control Enclosure
- 2. ASME Temperature & Pressure Relief Valve
- 3. 3" Handhole Cleanout

**STANDARD ELECTRICAL REQUIREMENTS:**  
**CONTROL VOLTAGE:** 120V, 1Ø, 60 HZ., 2 AMPS  
**MOTOR VOLTAGE:** 120V, 1Ø, 60 HZ  
 SEE ABOVE CHART FOR BLOWER MOTOR AMPS

**VENTING REQUIREMENTS:**  
 -.02" TO -.06" W.C. (NEGATIVE PRESSURE)  
 TYPE B VENTING  
**THE ENTIRE VENT SYSTEM SHOULD NEVER BE SIZED BASED UPON THE VENT CONNECTION DIAMETER EXCLUSIVELY.**  
**FOR PROPER VENT SIZING, CONSULT THE NATIONAL FUEL GAS CODE UNDER "FAN-ASSISTED".**

PVI RESERVES THE RIGHT TO CHANGE THE DESIGN AND SPECIFICATION WITHOUT NOTICE.



PVI Industries, LLC  
 Fort Worth, TX • (800) 784-8326 • www.pvi.com